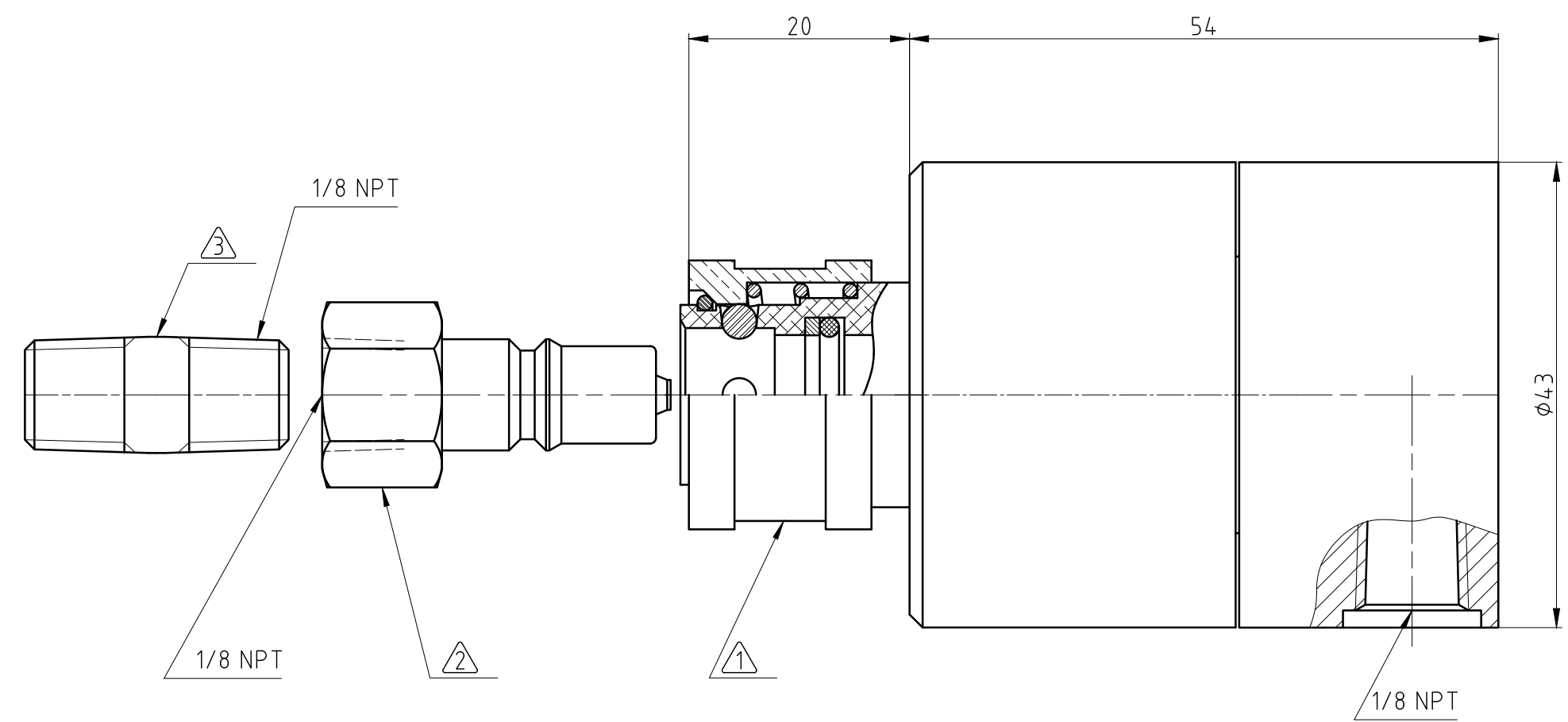
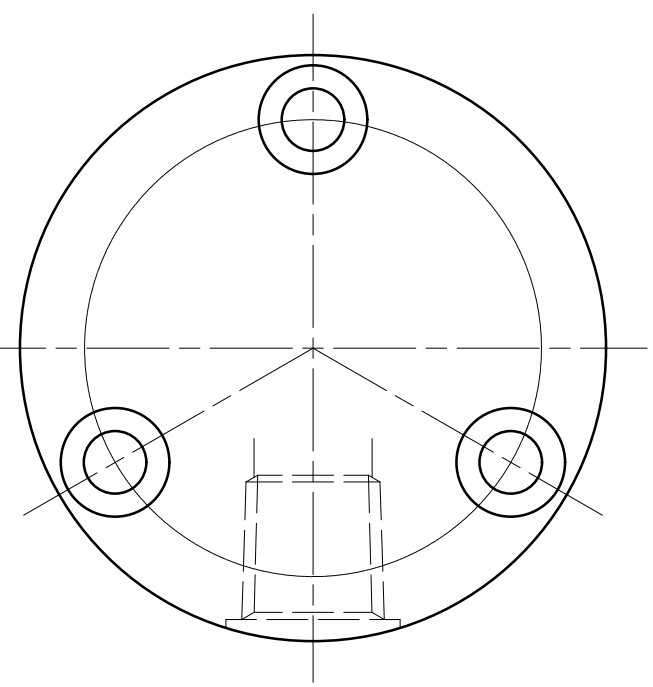


CONFIDENTIAL
 THIS DOCUMENT CONTAINS CONFIDENTIAL AND PROPRIETARY
 INFORMATION OF DEUBLIN COMPANY. COPYING, USE,
 TRANSMISSION, DISTRIBUTION, AND DISCLOSURE ARE SUBJECT
 TO THE TERMS AND CONDITIONS CONTAINED IN YOUR
 AGREEMENT WITH DEUBLIN COMPANY. ALL RIGHTS RESERVED.

NOTES:

- ① - QUICK CONNECT SOCKET HANSEN #1 H11
- ② - QUICK CONNECT PLUG HANSEN #1 K11
- ③ - ADAPTER SUPPLIED BY CUSTOMER



		PROJECTION:		SCALE: 2:1	MATERIAL:
		DATE	NAME	TITLE: DEUBLIN ROTATING UNION DEUBLIN Drehdurchführung	
		DRN. 19.10.2009	HS		
		ENGR. 19.10.2009	HJH		
		APPD.		NO. 862-100-IC	
		UNLESS SPECIFICALLY TOLERANCED, ALL DIMENSIONS ARE CONSIDERED REFERENCE			SHEET A3
ISSUE	MODIFICATION	ECO	DATE	SIGN	