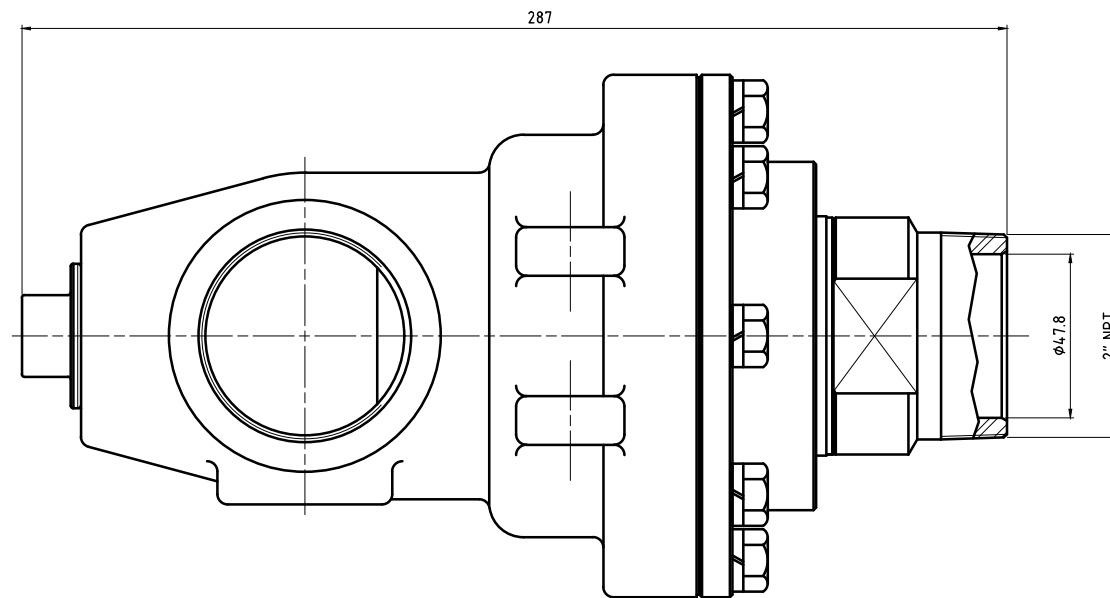
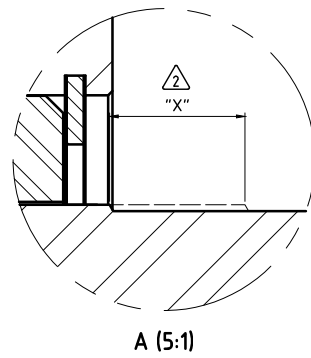
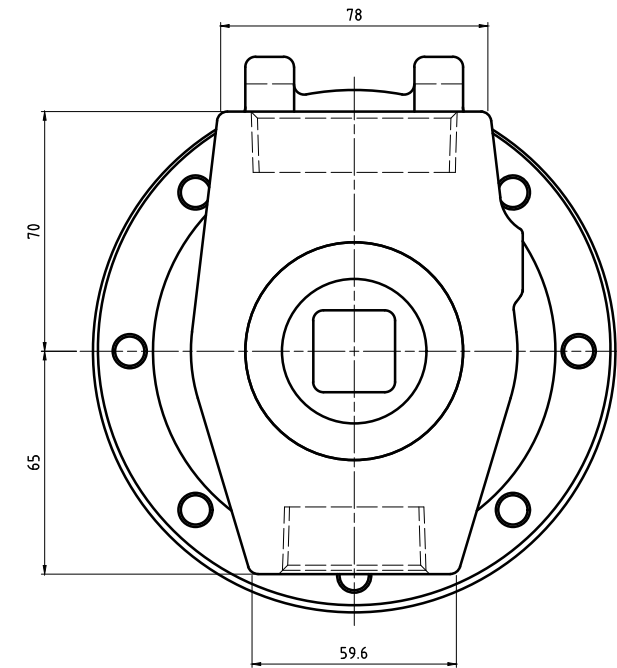
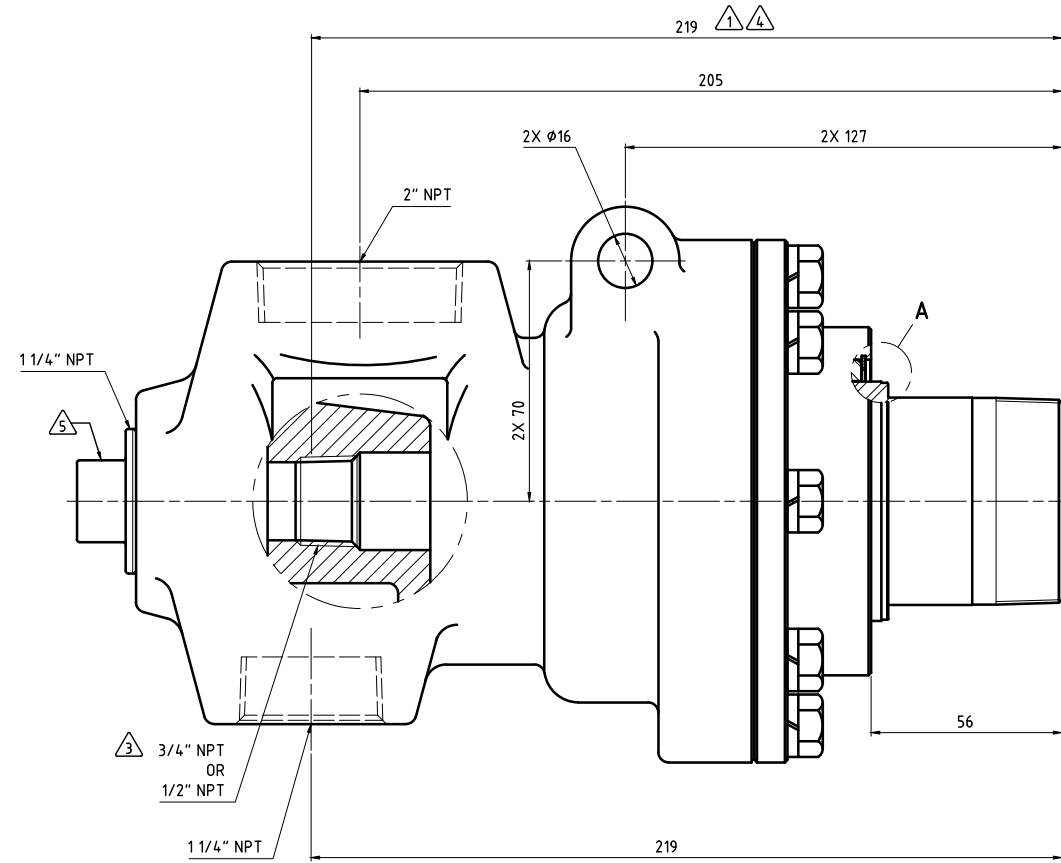
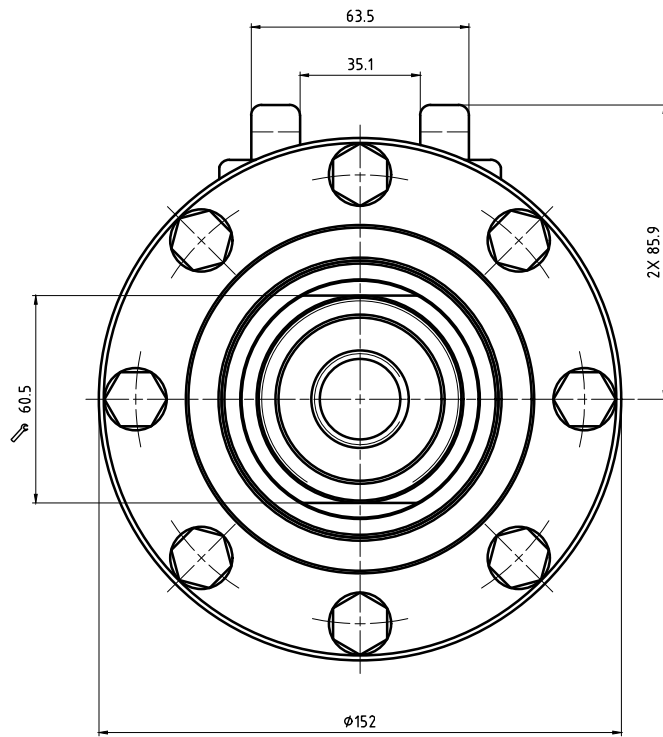


- NOTES:
- 1 - PIPE LENGTH.
 - 2 - SEAL MUST BE REPLACED WHEN "X" DIMENSION EXCEEDS 7.9 mm. CONTACT DEUBLIN FOR APPROPRIATE SERVICE KIT.
 - 3 - OPTIONAL SIPHON INSERT INCLUDED.
 - 4 - PIPE SUPPLIED BY CUSTOMER.
 - 5 - PLUG INSTALLED HAND TIGHT FROM FACTORY. IF PORT IS NOT UTILIZED, TIGHTEN BEFORE USE.



OPERATING DATA			
MEDIA		WATER	STEAM
PRESSURE	MAXIMUM	13.8 bar	8.6 bar
TEMPERATURE	MAXIMUM	178 °C	178 °C
SPEED	MAXIMUM	200 min ⁻¹	200 min ⁻¹
DRY RUN		NO	

	PROJECTION:	SCALE: 1:1	MATERIAL: INTERFACE CONTROL DRAWING TITLE: DEUBLIN UNION NO. BC-54065-32-50 SHEET A1
	DATE: 02/19/20	NAME: N. Reyna	
	ENGR: 02/19/20	T. Wilson	
	APPD:		
UNLESS SPECIFICALLY TOLERANCED, ALL DIMENSIONS ARE CONSIDERED REFERENCE		ISSUE/	MODIFICATION
ECD	DATE	SIGN	