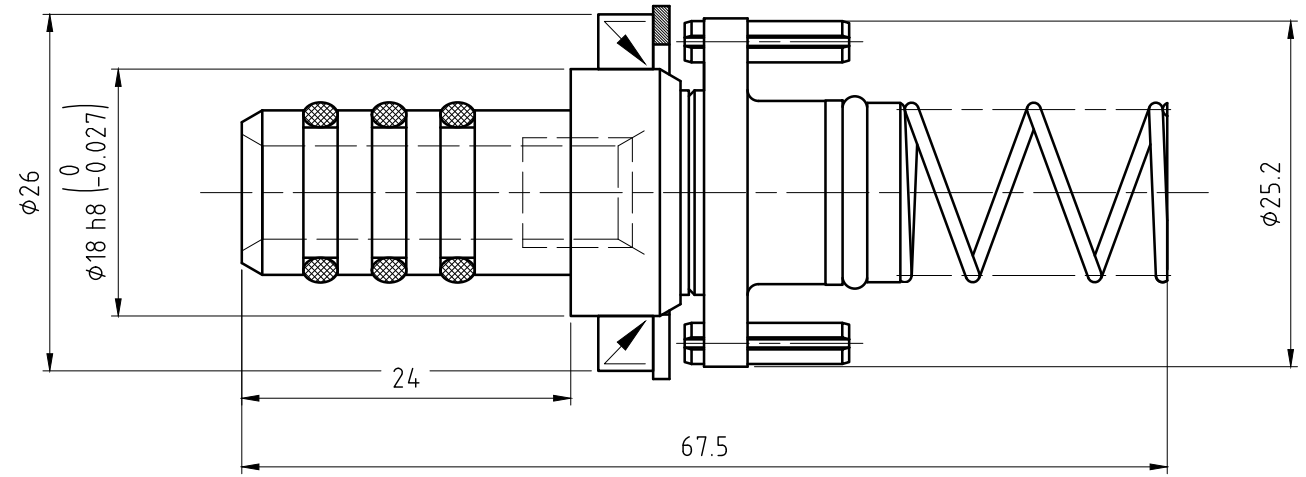
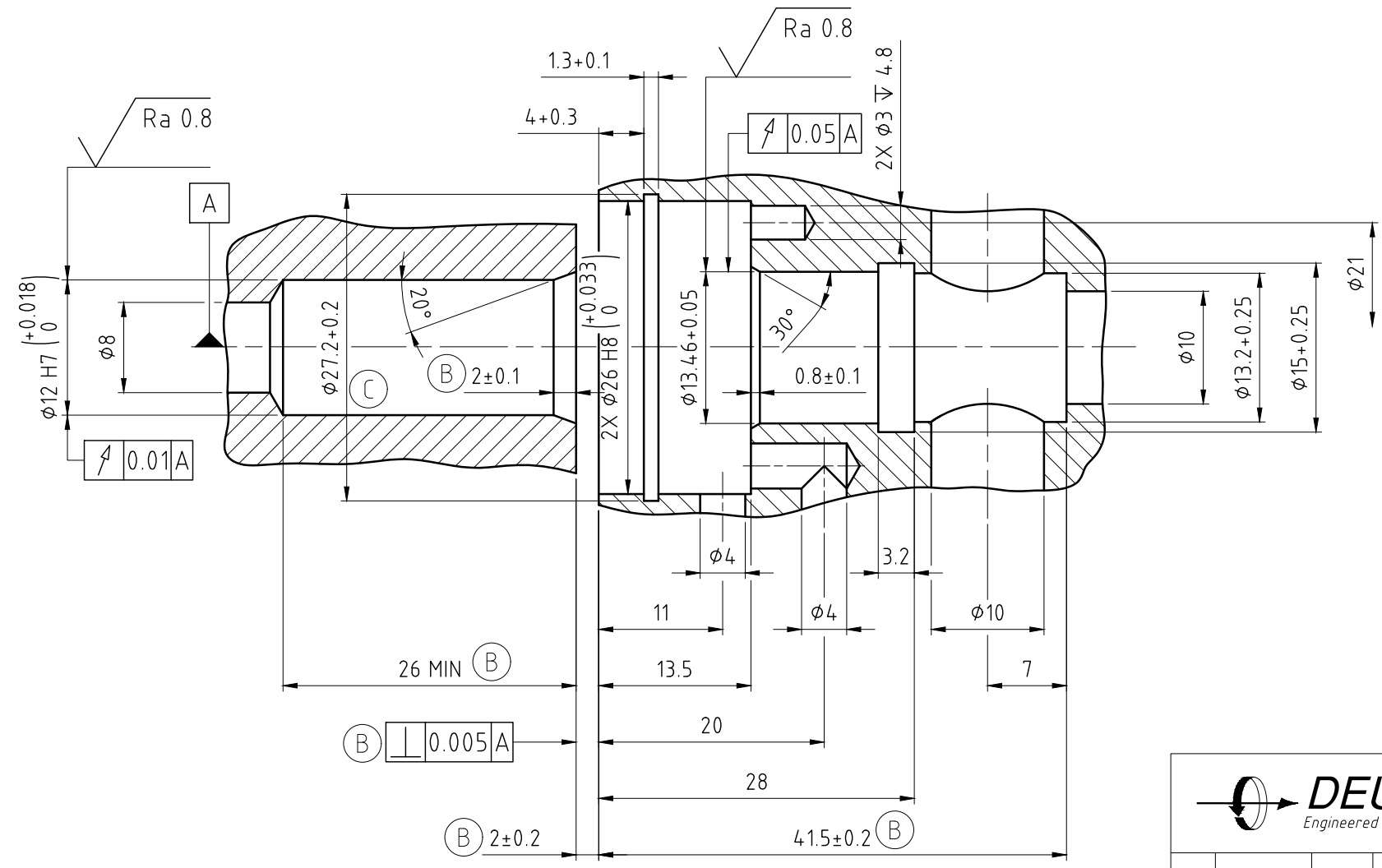


CONFIDENTIAL
THIS DOCUMENT CONTAINS CONFIDENTIAL AND PROPRIETARY INFORMATION OF DEUBLIN COMPANY. COPYING, USE, TRANSMISSION, DISTRIBUTION, AND DISCLOSURE ARE SUBJECT TO THE TERMS AND CONDITIONS CONTAINED IN YOUR AGREEMENT WITH DEUBLIN COMPANY. ALL RIGHTS RESERVED.

Ø26	H8	+0.033 0	26.033 26
Ø18	h8	0 -0.027	18 17.973
Ø12	H7	+0.018 0	12.018 12
Dimen.	Fit		

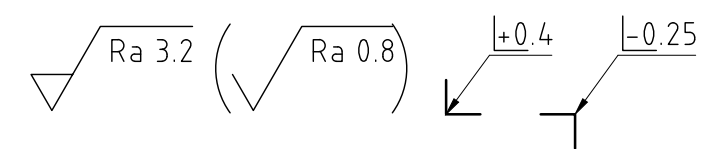


CUSTOMER INTERFACE



OPERATING DATA

MEDIA		COOLANT
MEDIA PRESSURE	MAXIMUM	110 bar
	MINIMUM	-
FLOW RATE	MAXIMUM	49.8 L/min
	MINIMUM	-
TEMPERATURE	MAXIMUM	70 °C
	MINIMUM	5 °C
MAXIMUM SPEED		15000 min ⁻¹
AXIAL FORCE		14.3 N/bar
DRY RUN		NOT POSSIBLE
RECOMMENDED FILTRATION		ISO 4406 CLASS 17/15/12



		PROJECTION:	SCALE: 2:1	MATERIAL: INTERFACE CONTROL DRAWING			
		DATE	NAME	TITLE:			
		DRN. 07/18/2005	C. Wolf	DEUBLIN BEARINGLESS UNION			
		ENGR. 07/18/2005	F. Dahl				
		APPD.					
C	Ø27.2±0.2 ADDED	042138	04/17	FD	UNLESS SPECIFICALLY TOLERANCED, ALL DIMENSIONS ARE CONSIDERED REFERENCE	NO. 9012-810	SHEET A3
B	ADDED PERPENDICULARITY CTRL	009663	11/11	AL			
ISSUE	MODIFICATION	ECO	DATE	SIGN			