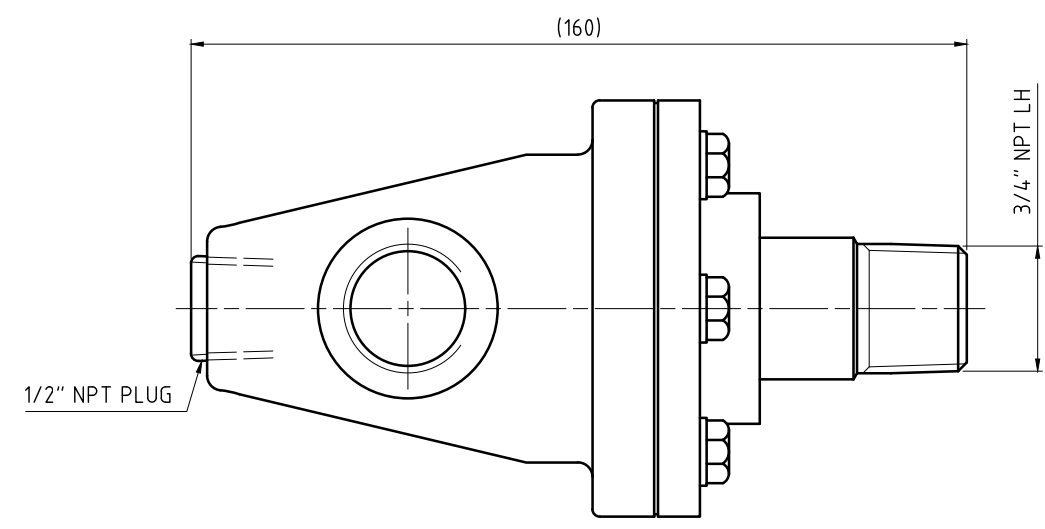
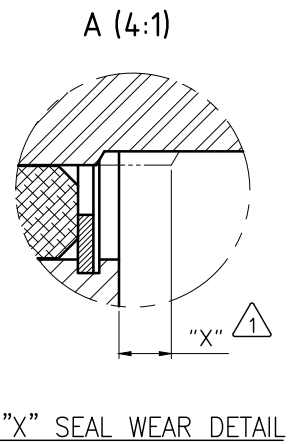
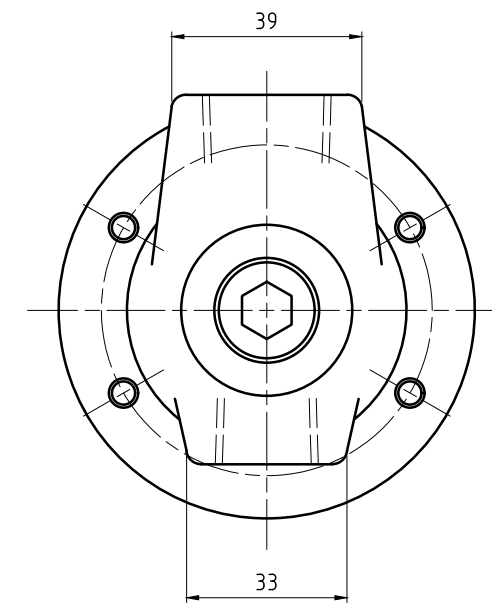
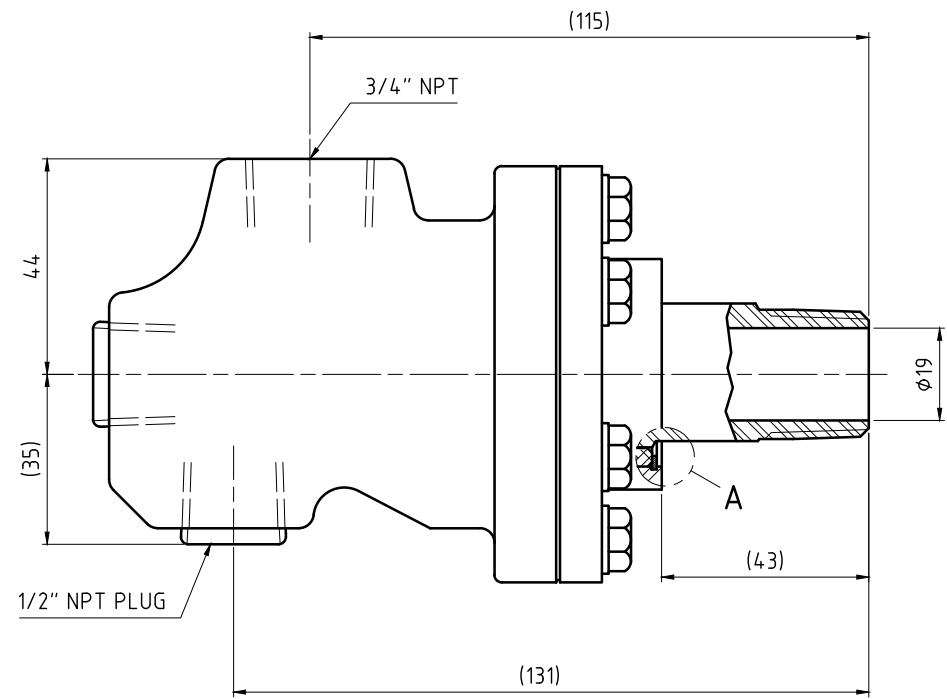
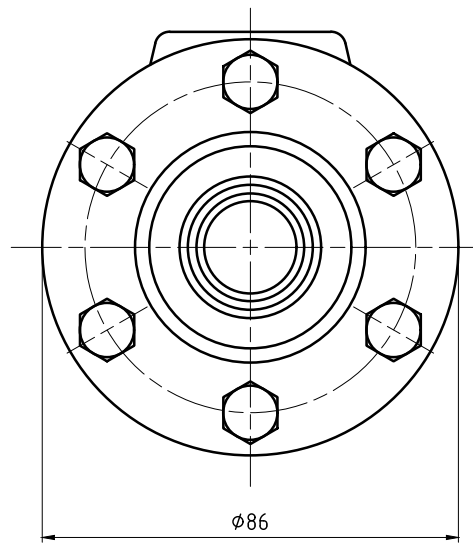


CONFIDENTIAL
 THIS DOCUMENT CONTAINS CONFIDENTIAL AND PROPRIETARY
 INFORMATION OF DEUBLIN COMPANY. COPYING, USE,
 TRANSMISSION, DISTRIBUTION, AND DISCLOSURE ARE SUBJECT
 TO THE TERMS AND CONDITIONS CONTAINED IN YOUR
 AGREEMENT WITH DEUBLIN COMPANY. ALL RIGHTS RESERVED.

NOTES:

1 - SEAL MUST BE REPLACED WHEN "X" DIMENSION EXCEEDS 6.3 mm. CONTACT DEUBLIN FOR APPROPRIATE SERVICE KIT.



OPERATING DATA		
MEDIA		THERMAL OIL
PRESSURE	MAXIMUM	6.9 bar
TEMPERATURE	MAXIMUM	232 °C
SPEED	MAXIMUM	400 min ⁻¹
DRY RUN		NO

		PROJECTION:	SCALE: 1:1
		MATERIAL: INTERFACE CONTROL DRAWING	
	DATE: 07/01/19 NAME: masinip	TITLE: INTERFACE CONTROL DRAWING	
	ENGR. 07/01/19 NAME: PM		
	APPD.		
UNLESS SPECIFICALLY TOLERANCED, ALL DIMENSIONS ARE CONSIDERED REFERENCE		NO. BC-54100-12-21	SHEET A2
ISSUE	MODIFICATION	ECO	DATE
			SIGN