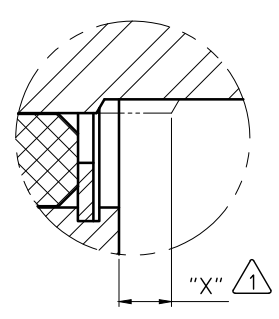
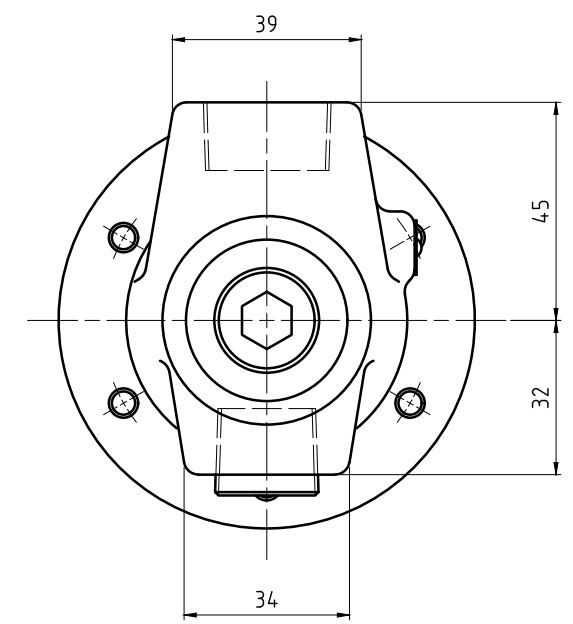
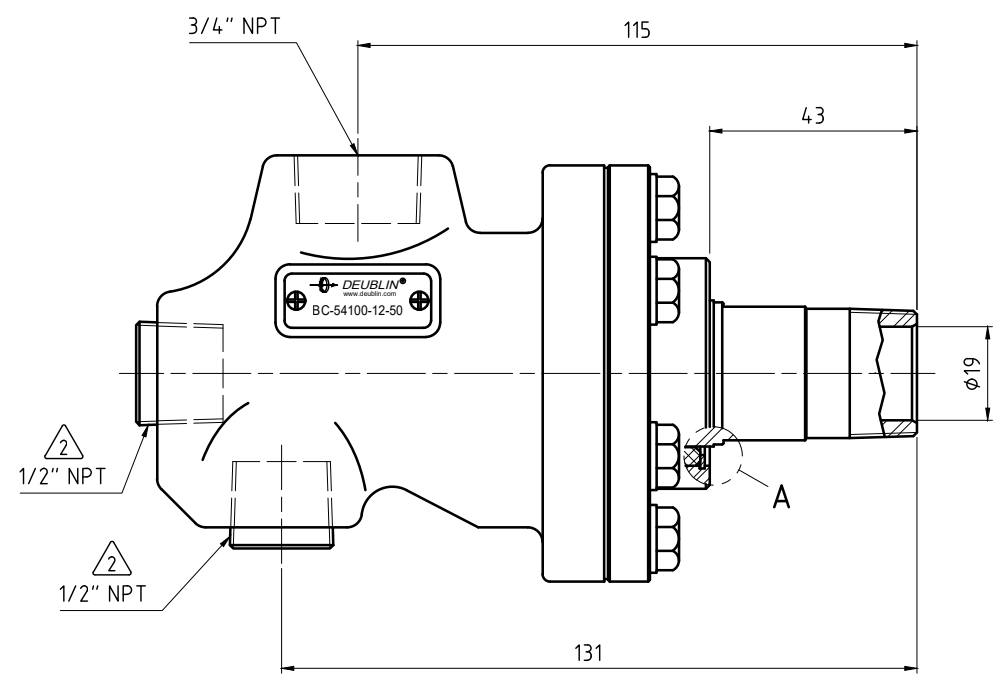
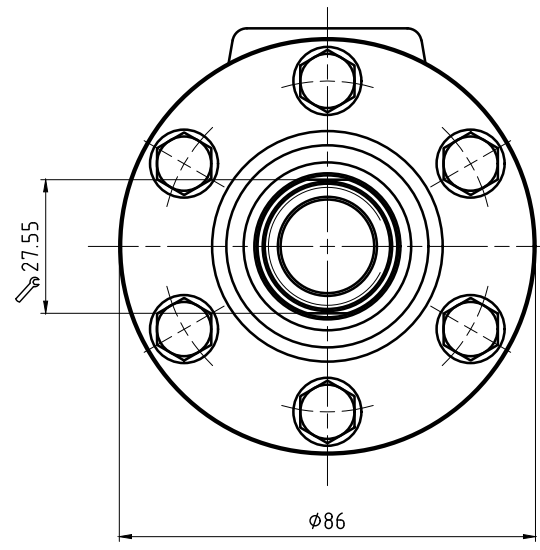


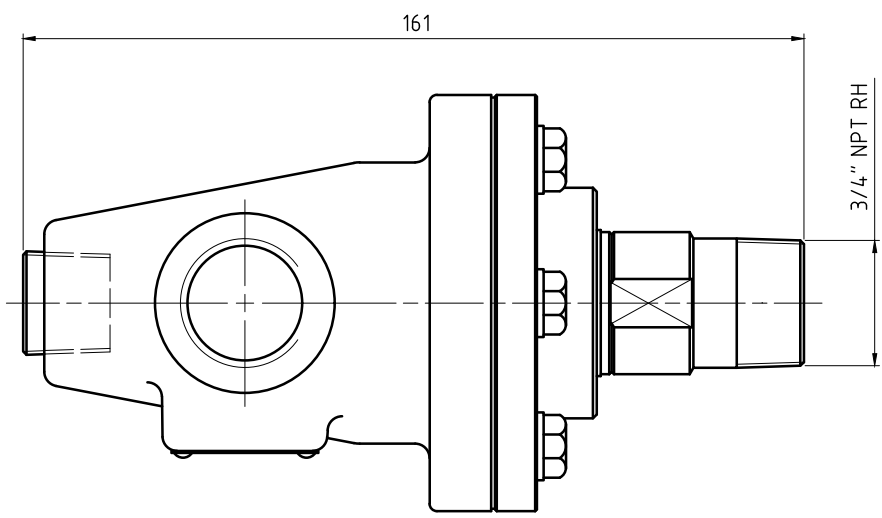
CONFIDENTIAL
 THIS DOCUMENT CONTAINS CONFIDENTIAL AND PROPRIETARY
 INFORMATION OF DEUBLIN COMPANY. COPYING, USE,
 TRANSMISSION, DISTRIBUTION, AND DISCLOSURE ARE SUBJECT
 TO THE TERMS AND CONDITIONS CONTAINED IN YOUR
 AGREEMENT WITH DEUBLIN COMPANY. ALL RIGHTS RESERVED.

NOTES:

- 1 - SEAL MUST BE REPLACED WHEN "X" DIMENSION EXCEEDS 6.3 mm. CONTACT DEUBLIN FOR APPROPRIATE SERVICE KIT.
- 2 - PLUG INSTALLED HAND TIGHT FROM FACTORY. IF PORT IS NOT UTILIZED, TIGHTEN BEFORE USE.



"X" SEAL WEAR DETAIL
 A (4:1)



OPERATING DATA		
MEDIA		STEAM
PRESSURE	MAXIMUM	17.2 bar
TEMPERATURE	MAXIMUM	208 °C
SPEED	MAXIMUM	400 min ⁻¹
DRY RUN		NO

		PROJECTION:		SCALE: 1:1
		MATERIAL:		INTERFACE CONTROL DRAWING
DATE	NAME	TITLE: UNION TYPE C FIXED SIPHON		
DRN. 04/19/18	N. Reyna	NPT PORTS 3/4 NPT RH ROTOR		
ENGR. 04/19/18	T. Wilson	NO. BC-54100-12-50		
APPD.		SHEET A2		
UNLESS SPECIFICALLY TOLERANCED, ALL DIMENSIONS ARE CONSIDERED REFERENCE				
ISSUE	MODIFICATION	ECO	DATE	SIGN