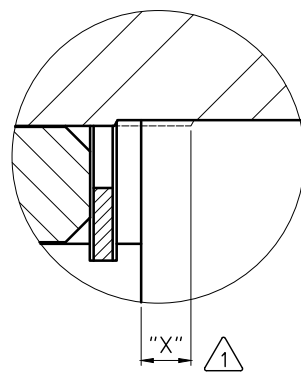
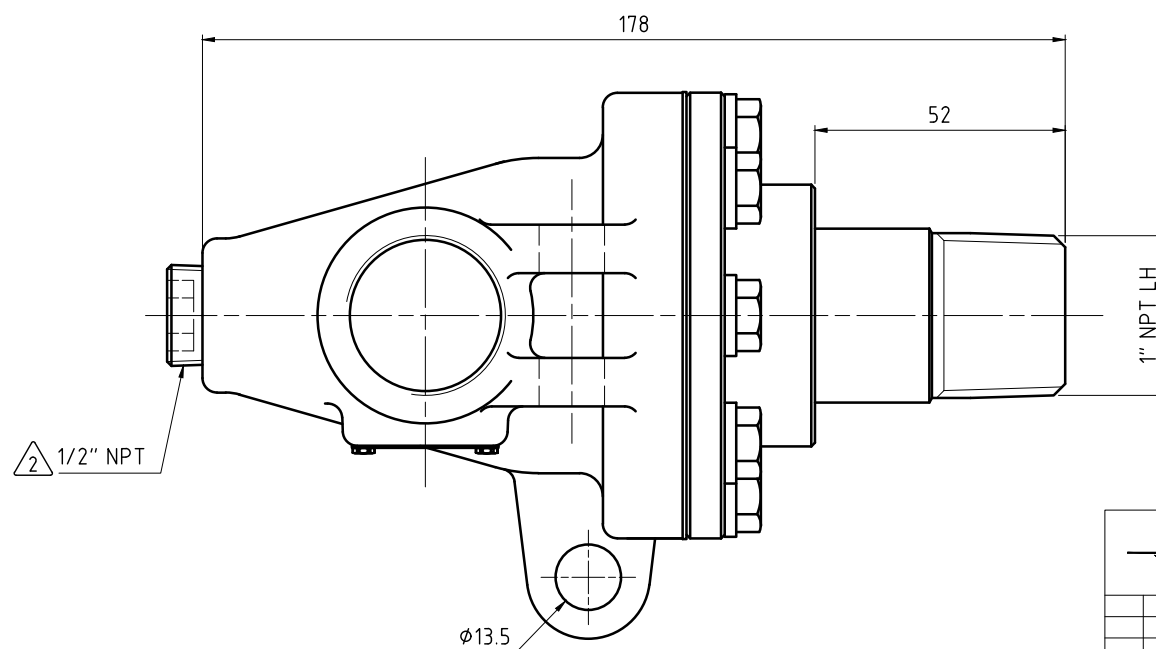
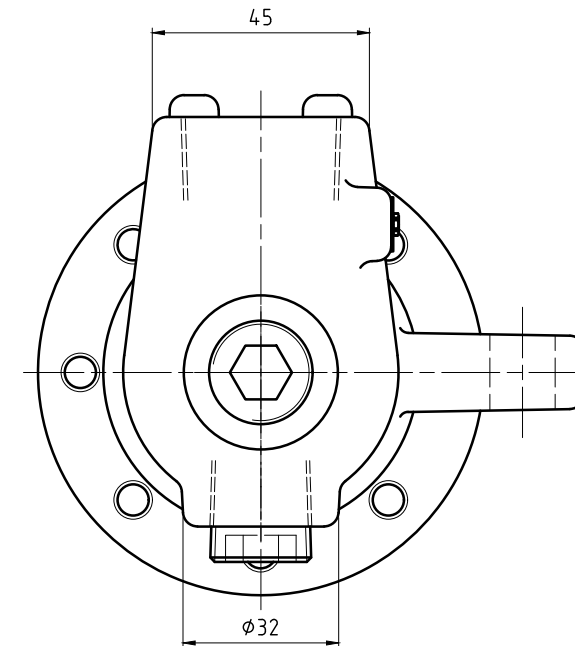
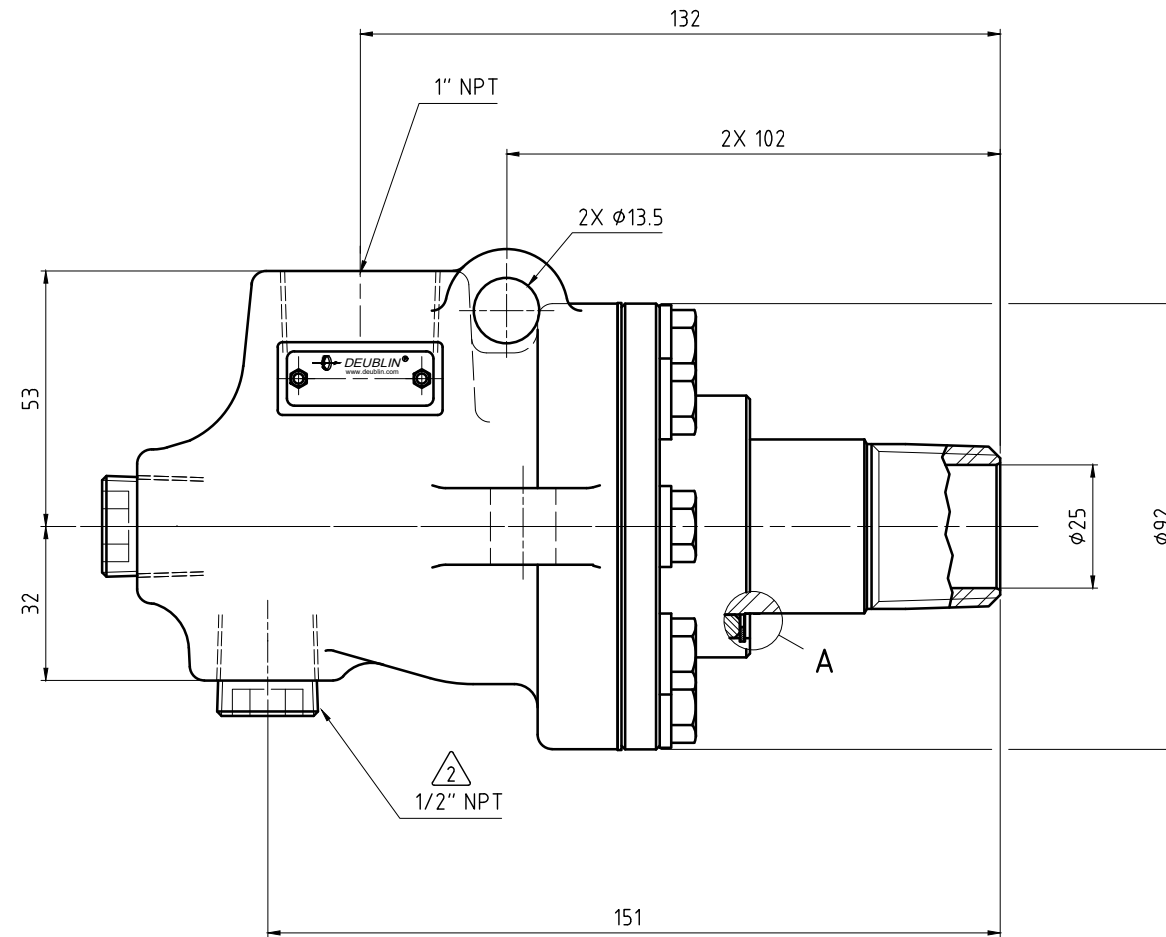
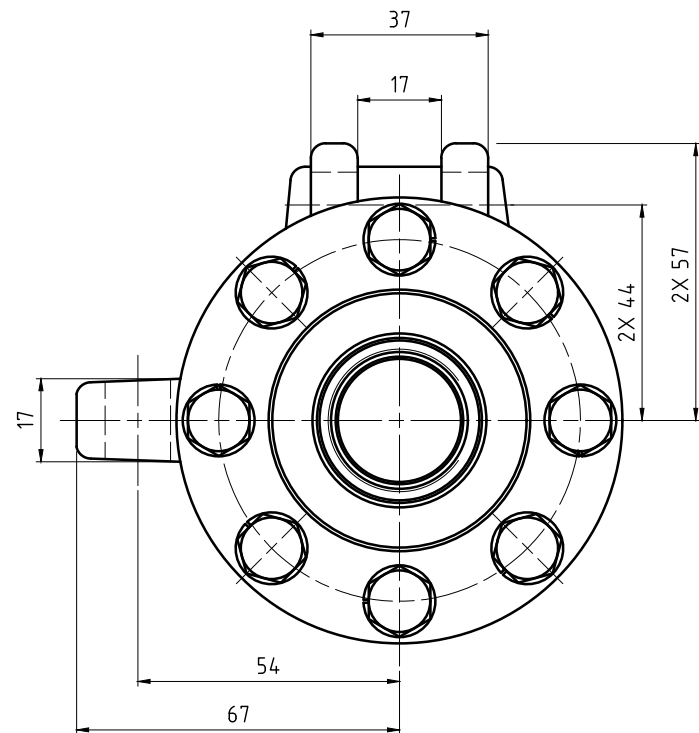


CONFIDENTIAL
 THIS DOCUMENT CONTAINS CONFIDENTIAL AND PROPRIETARY
 INFORMATION OF DEUBLIN COMPANY. COPYING, USE,
 TRANSMISSION, DISTRIBUTION, AND DISCLOSURE ARE SUBJECT
 TO THE TERMS AND CONDITIONS CONTAINED IN YOUR
 AGREEMENT WITH DEUBLIN COMPANY. ALL RIGHTS RESERVED.

NOTES:

- ① - SEAL MUST BE REPLACED WHEN "X" DIMENSION EXCEEDS 6.3 mm. CONTACT DEUBLIN FOR APPROPRIATE SERVICE KIT.
- ② - PLUG INSTALLED HAND TIGHT FROM FACTORY. IF PORT IS NOT UTILIZED, TIGHTEN BEFORE USE.



SEAL WEAR DETAIL

A (5:1)

| OPERATING DATA | | |
|----------------|-------------|-----------------------|
| MEDIA | THERMAL OIL | |
| PRESSURE | MAXIMUM | 6.9 bar |
| TEMPERATURE | MAXIMUM | 232 °C |
| SPEED | MAXIMUM | 400 min ⁻¹ |
| DRY RUN | NO | |



PROJECTION: SCALE: 1:1

MATERIAL: INTERFACE CONTROL DRAWING

TITLE: UNION TYPE C MONOFLOW HOT OIL
 NPT PORTS 1" NPT LH ROTOR

NO. BC-54100-16-21 SHEET A2

| DATE | NAME |
|------------------|----------|
| DRN. 04/04/2014 | lgalindo |
| ENGR. 07/03/2014 | LFREED |
| APPD. | |

UNLESS SPECIFICALLY TOLERANCED, ALL DIMENSIONS ARE CONSIDERED REFERENCE

ISSUE MODIFICATION ECO DATE SIGN