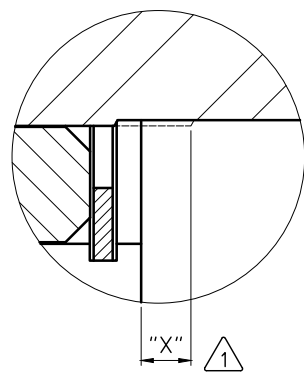
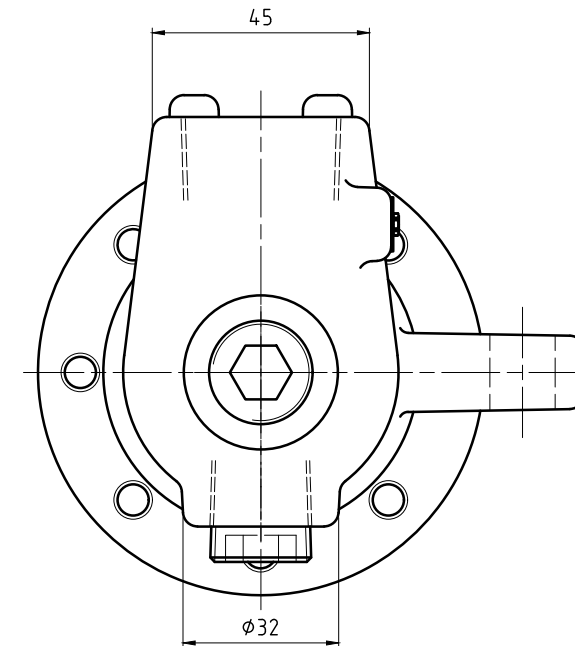
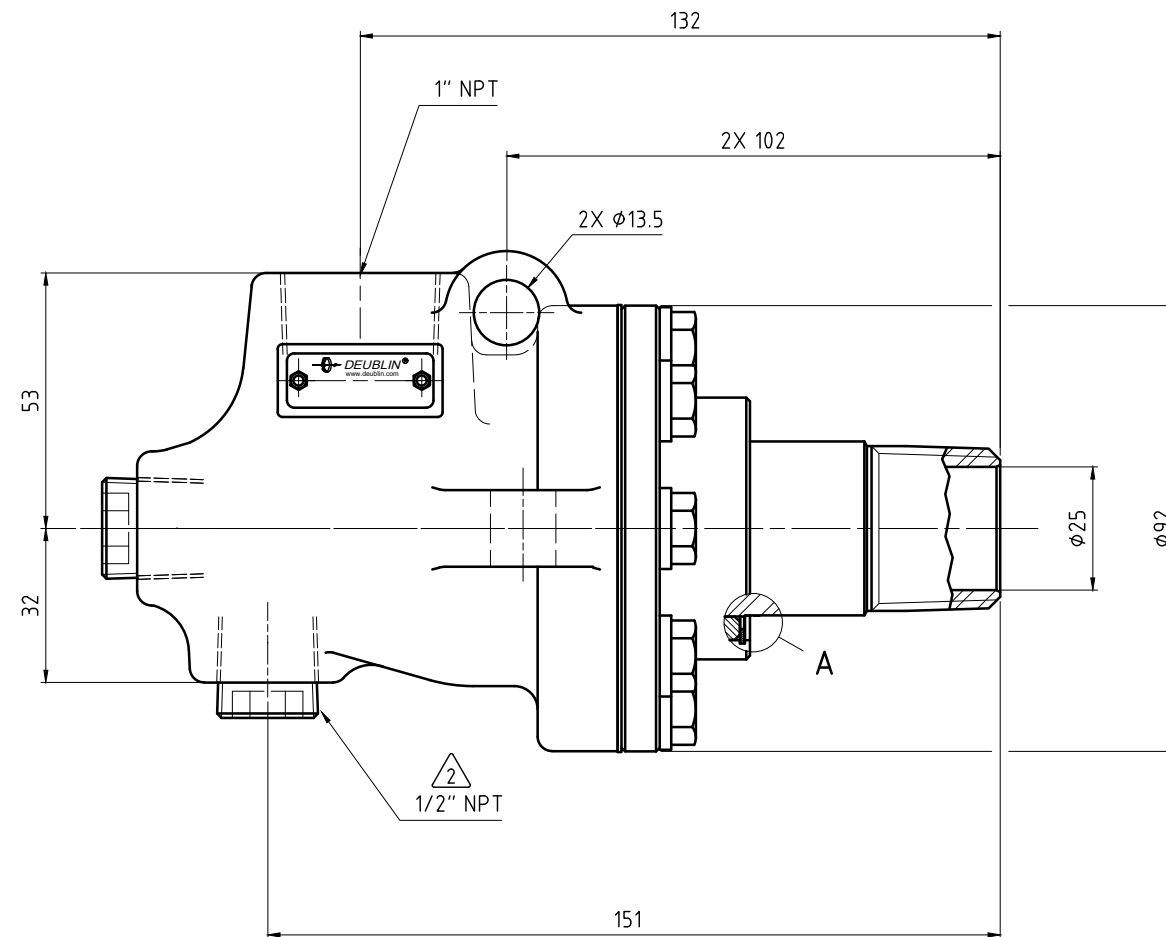
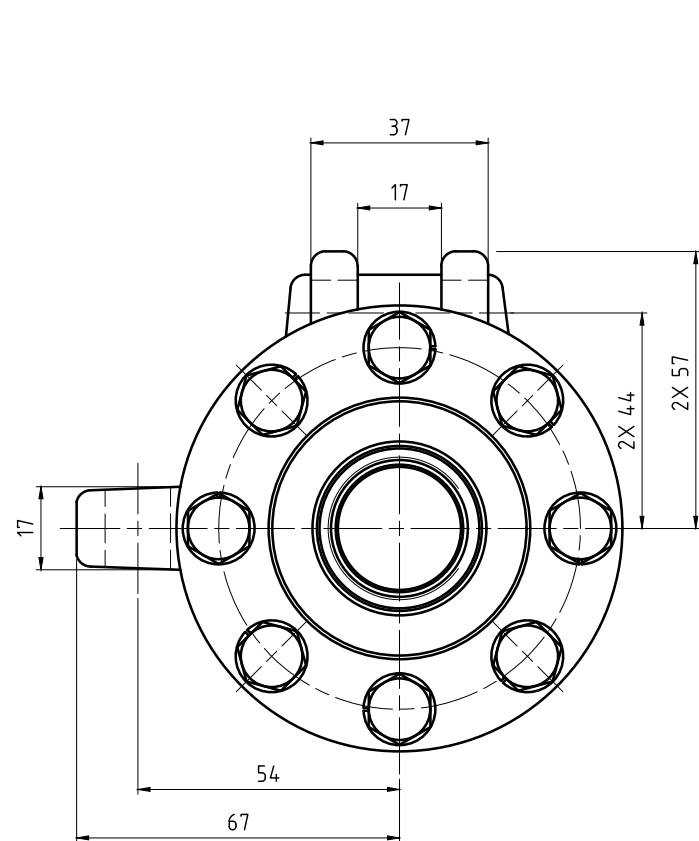


CONFIDENTIAL
 THIS DOCUMENT CONTAINS CONFIDENTIAL AND PROPRIETARY
 INFORMATION OF DEUBLIN COMPANY. COPYING, USE,
 TRANSMISSION, DISTRIBUTION, AND DISCLOSURE ARE SUBJECT
 TO THE TERMS AND CONDITIONS CONTAINED IN YOUR
 AGREEMENT WITH DEUBLIN COMPANY. ALL RIGHTS RESERVED.

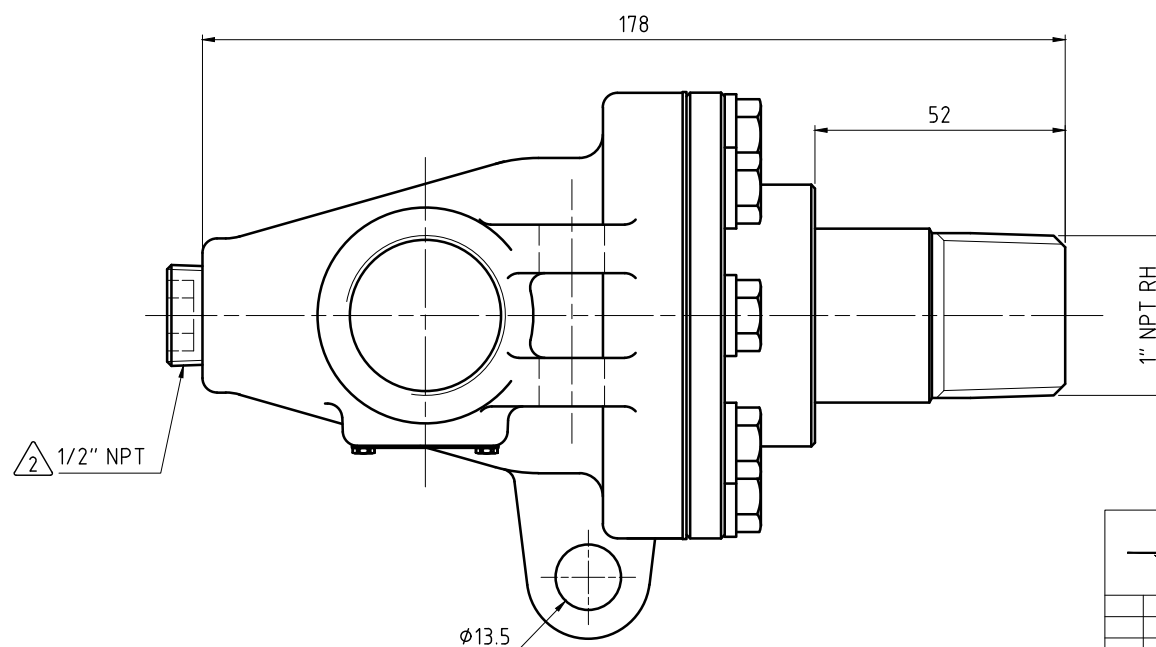
NOTES:

- ① - SEAL MUST BE REPLACED WHEN "X" DIMENSION EXCEEDS 6.3 mm. CONTACT DEUBLIN FOR APPROPRIATE SERVICE KIT.
- ② - PLUG INSTALLED HAND TIGHT FROM FACTORY. IF PORT IS NOT UTILIZED, TIGHTEN BEFORE USE.



SEAL WEAR DETAIL

A (5:1)



OPERATING DATA		
MEDIA		STEAM
PRESSURE	MAXIMUM	17.2 bar
TEMPERATURE	MAXIMUM	208 °C
SPEED	MAXIMUM	400 min ⁻¹
DRY RUN		NO



PROJECTION: SCALE: 1:1

MATERIAL: INTERFACE CONTROL DRAWING

TITLE: UNION TYPE C MONOFLOW
 NPT PORTS 1" NPT RH ROTOR

NO. BC-54100-16-50 SHEET A2

DATE	NAME
DRN. 04/02/2014	lgalindo
ENGR. 05/19/2014	LFreed
APPD.	

UNLESS SPECIFICALLY TOLERANCED, ALL DIMENSIONS ARE CONSIDERED REFERENCE

ISSUE MODIFICATION ECO DATE SIGN