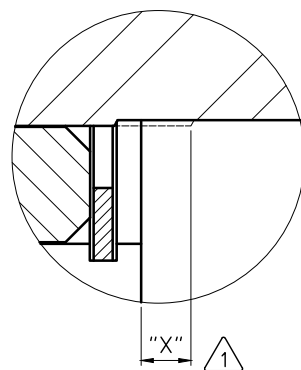
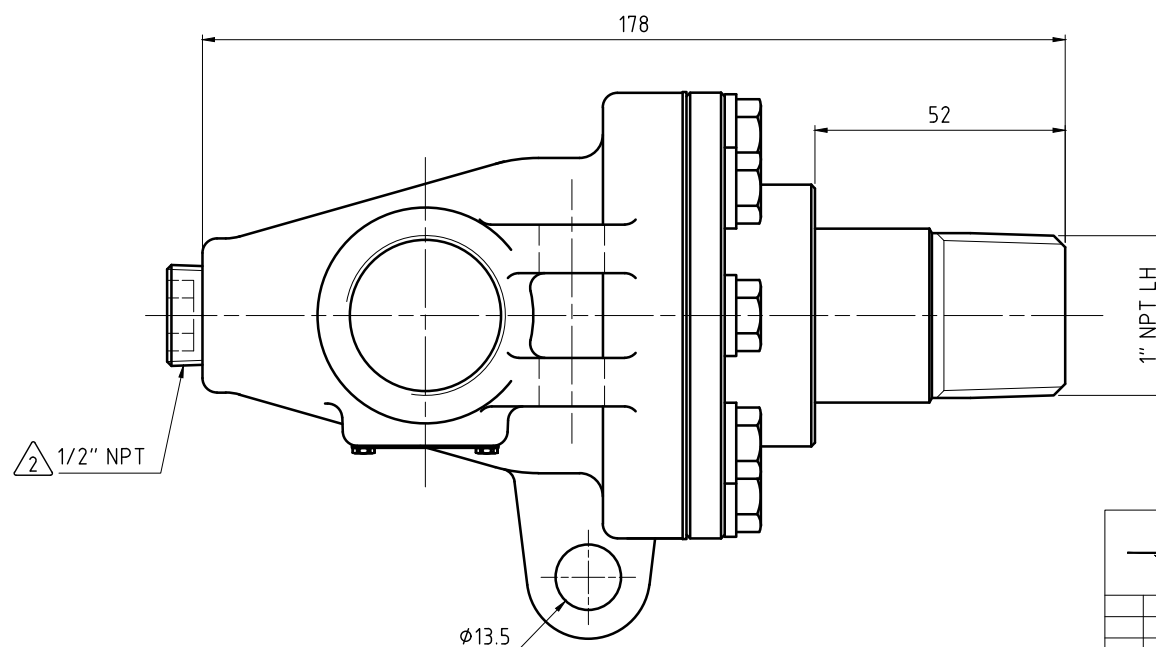
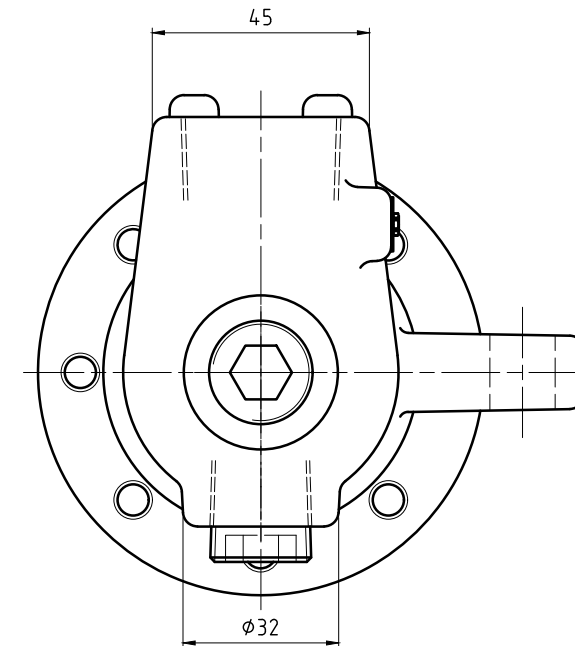
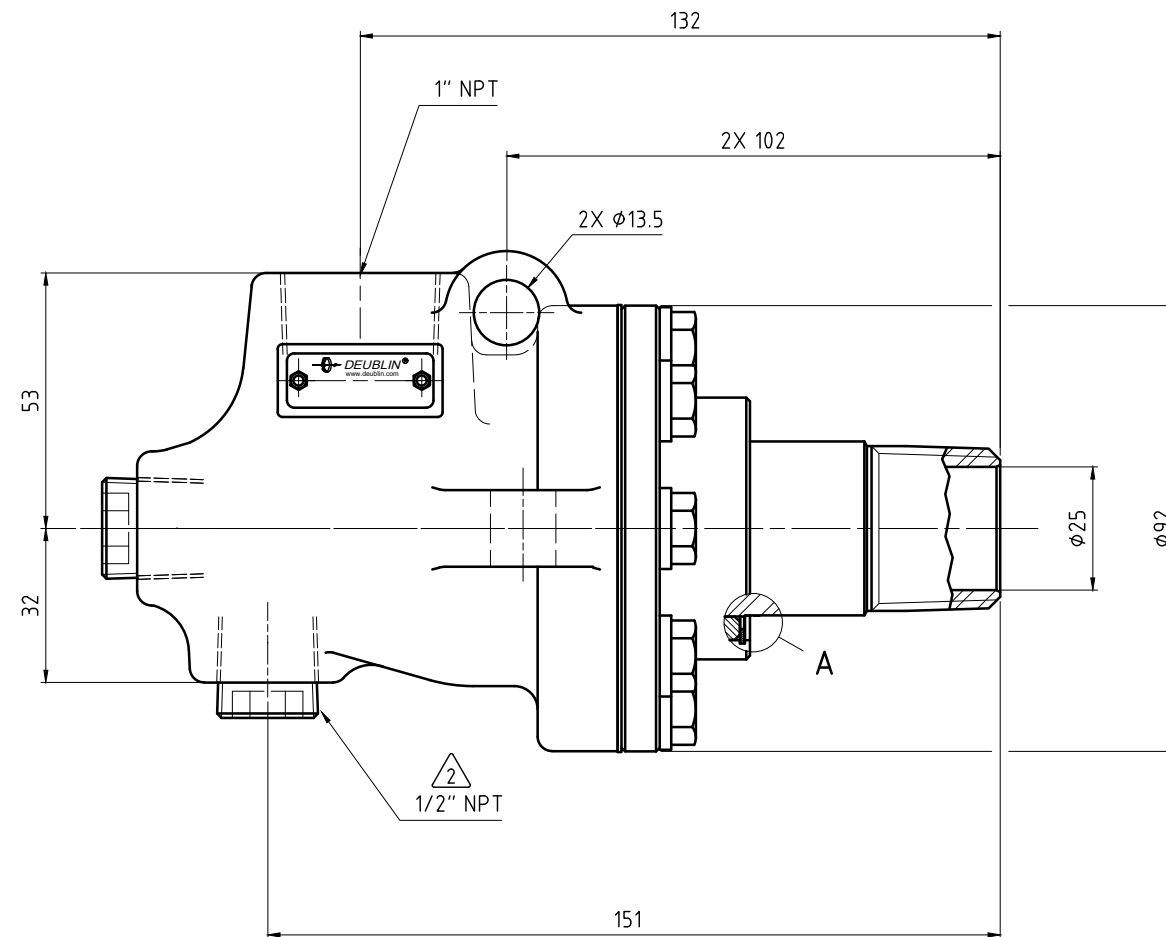
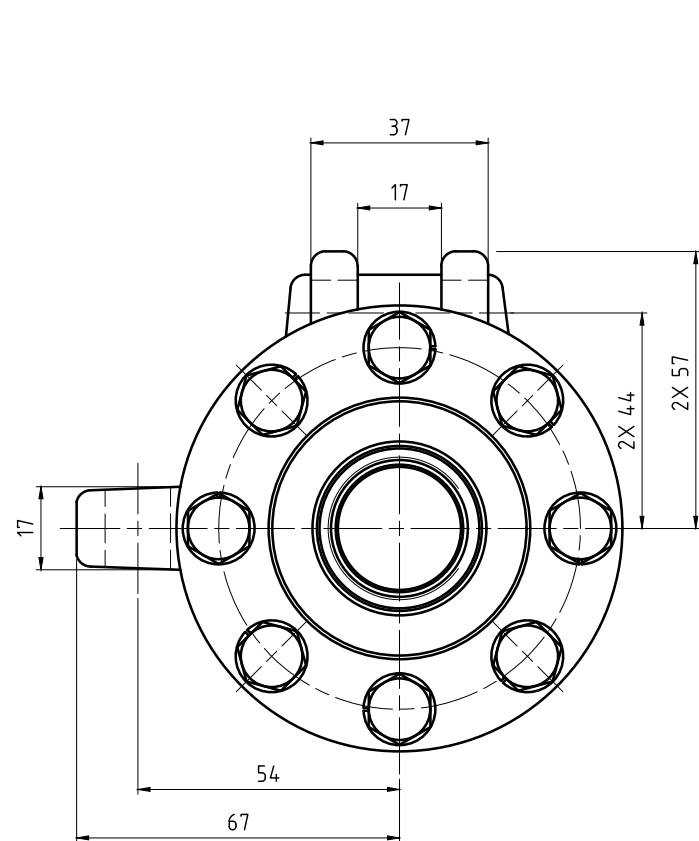


NOTES:

- ① - SEAL MUST BE REPLACED WHEN "X" DIMENSION EXCEEDS 6.3 mm. CONTACT DEUBLIN FOR APPROPRIATE SERVICE KIT.
- ② - PLUG INSTALLED HAND TIGHT FROM FACTORY. IF PORT IS NOT UTILIZED, TIGHTEN BEFORE USE.



SEAL WEAR DETAIL

A (5:1)

OPERATING DATA		
MEDIA		STEAM
PRESSURE	MAXIMUM	17.2 bar
TEMPERATURE	MAXIMUM	208 °C
SPEED	MAXIMUM	400 min <sup>-1</sup>
DRY RUN		NO



PROJECTION: SCALE: 1:1

MATERIAL: INTERFACE CONTROL DRAWING

TITLE: UNION TYPE C MONOFLOW  
 NPT PORTS 1" NPT LH ROTOR

NO. BC-54100-16-51 SHEET A2

DATE	NAME
DRN. 04/02/2014	lgalindo
ENGR. 05/19/2014	LFreed
APPD.	

UNLESS SPECIFICALLY TOLERANCED, ALL DIMENSIONS ARE CONSIDERED REFERENCE

ISSUE MODIFICATION ECO DATE SIGN