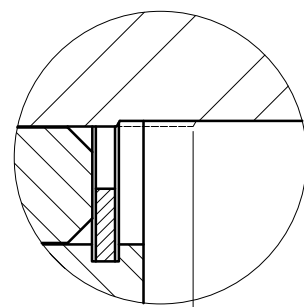
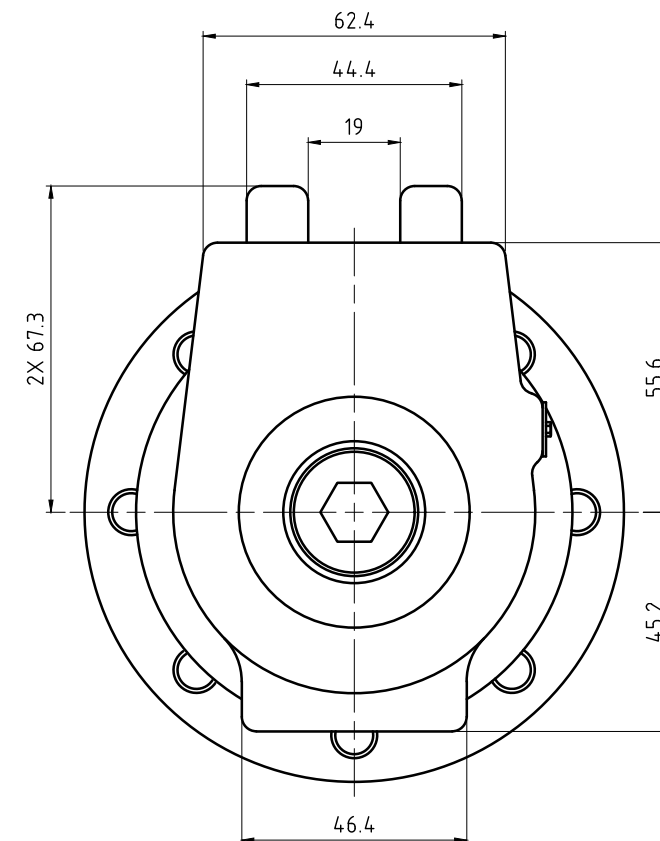
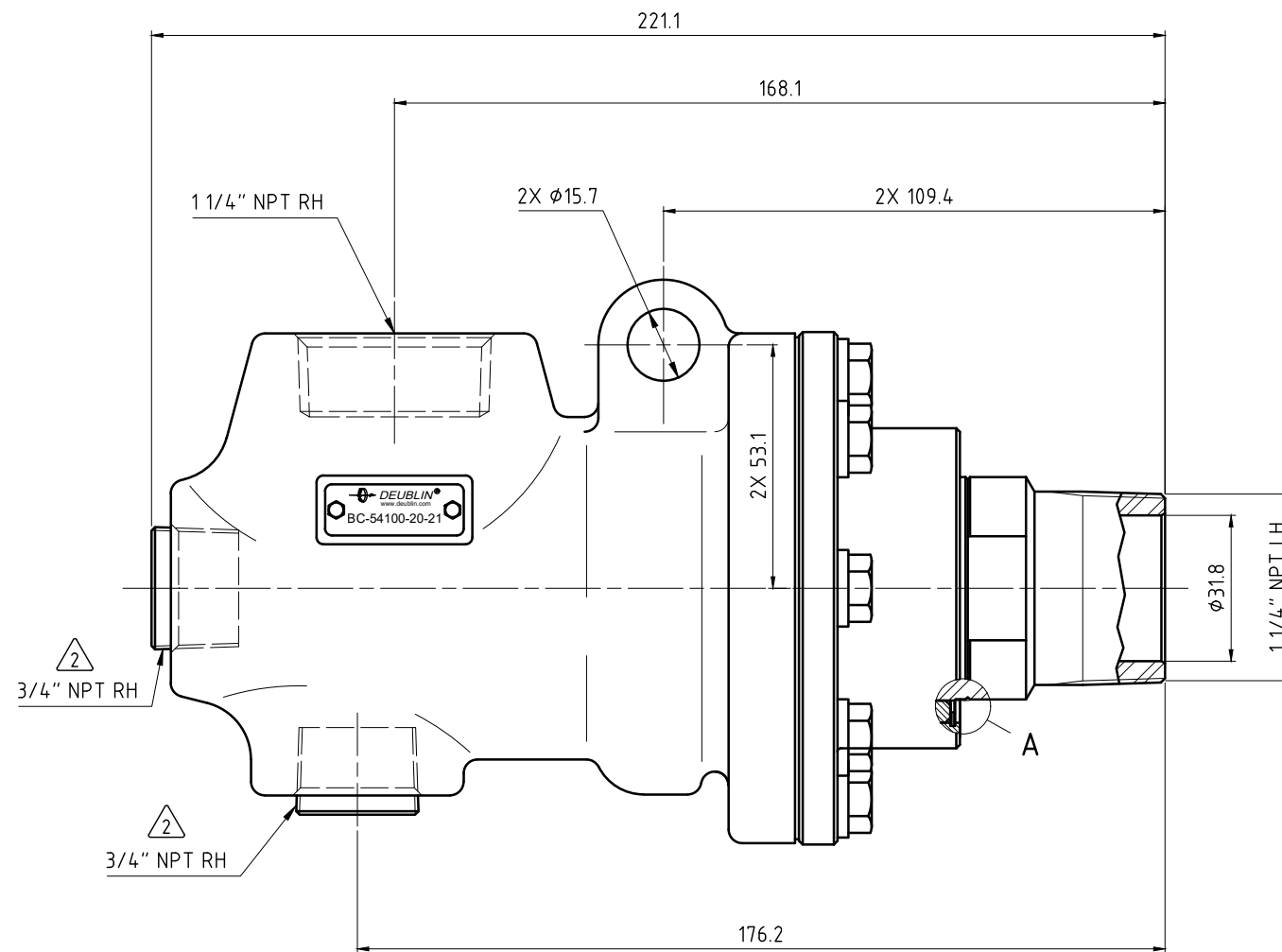
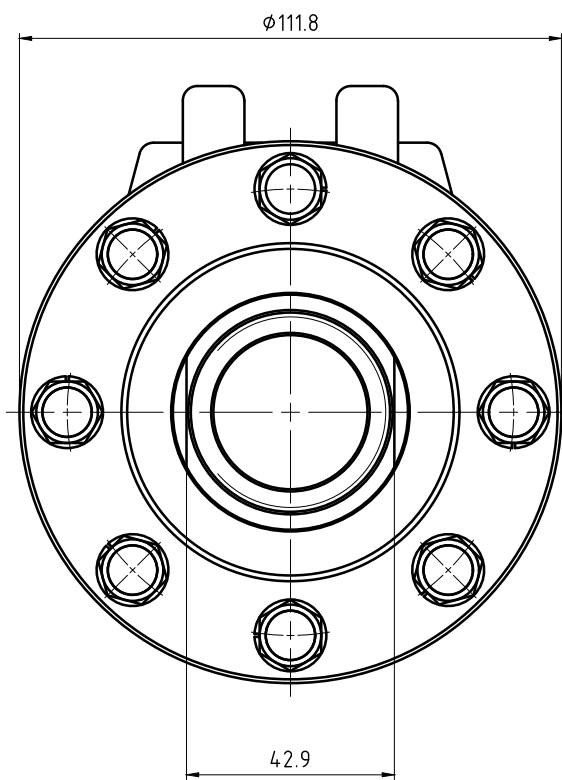


CONFIDENTIAL
 THIS DOCUMENT CONTAINS CONFIDENTIAL AND PROPRIETARY
 INFORMATION OF DEUBLIN COMPANY. COPYING, USE,
 TRANSMISSION, DISTRIBUTION, AND DISCLOSURE ARE SUBJECT
 TO THE TERMS AND CONDITIONS CONTAINED IN YOUR
 AGREEMENT WITH DEUBLIN COMPANY. ALL RIGHTS RESERVED.

NOTES:

- 1 - SEAL MUST BE REPLACED WHEN "X" DIMENSION EXCEEDS 6.3 mm. CONTACT DEUBLIN FOR APPROPRIATE SERVICE KIT.
- 2 - PLUG INSTALLED HAND TIGHT FROM FACTORY. IF PORT IS NOT UTILIZED, TIGHTEN BEFORE USE.



SEAL WEAR DETAIL
 A (5:1)

OPERATING DATA		
MEDIA		THERMAL OIL
PRESSURE	MAXIMUM	6.9 bar
TEMPERATURE	MAXIMUM	232 °C
SPEED	MAXIMUM	400 min ⁻¹
DRY RUN		NO



PROJECTION:  SCALE: 1:1
 MATERIAL: INTERFACE CONTROL DRAWING

DATE	NAME	TITLE
DRN. 06/03/19	N. Reyna	DEUBLIN UNION
ENGR. 06/03/19	P. Masini	
APPD.		

NO. BC-54100-20-21
 SHEET A2

UNLESS SPECIFICALLY TOLERANCED, ALL DIMENSIONS ARE CONSIDERED REFERENCE