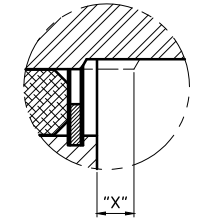
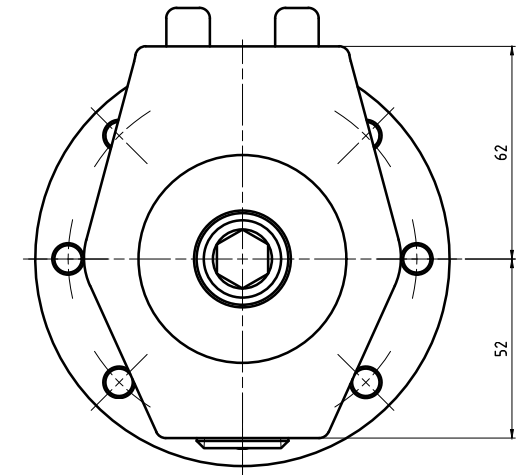
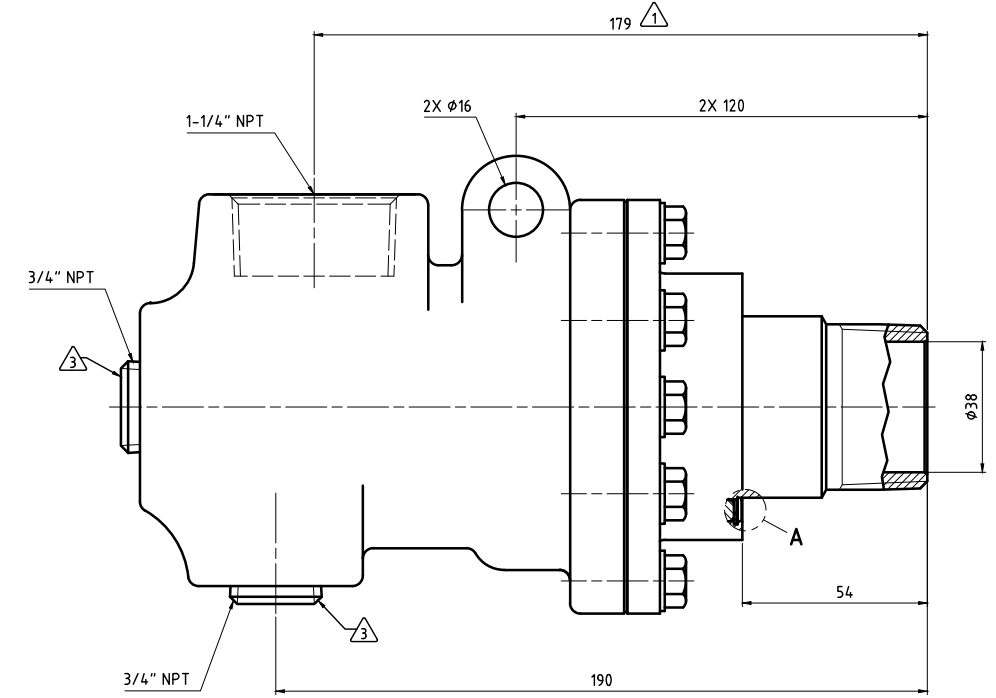
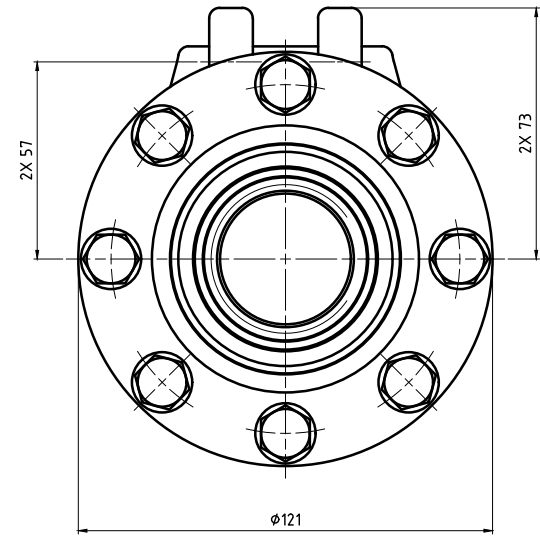
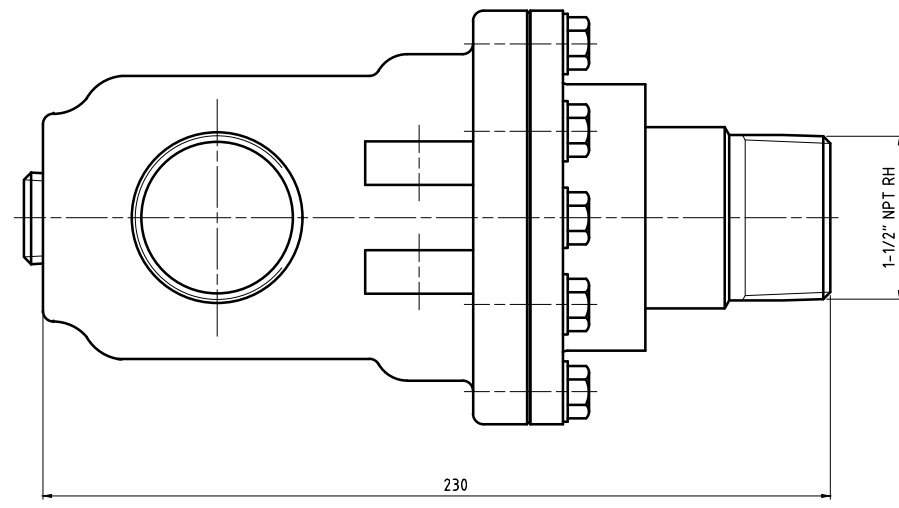


- NOTES:
- △ - SYPHON PIPE LENGTH INTO UNION. PIPE SUPPLIED BY CUSTOMER.
 - △ - SEALS SHOULD BE REPLACED WHEN "X" DIMENSION EXCEEDS 6.4.
 - △ - PLUG INSTALLED HAND TIGHT FROM FACTORY. IF PORT IS NOT UTILIZED, TIGHTEN BEFORE USE.



"X" SEAL WEAR DETAIL
 A (5:1)



		PROJECTION:	SCALE: 1:1
MATERIAL: INTERFACE CONTROL DRAWING		TITLE: DEUBLIN UNION	
DRN: 07/01/19	ENGR: 07/01/19	DATE: 07/01/19	NAME: masiniid PM
APPD:		NO. BC-54100-24-20	
ISSUE/MODIFICATION		ECO	DATE
SIGN		SHEET A1	