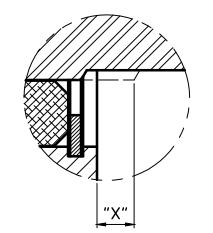
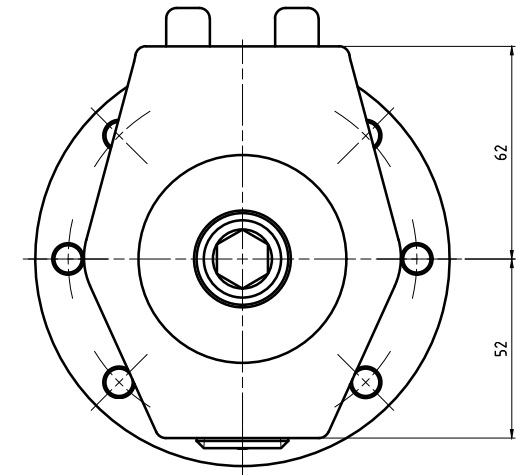
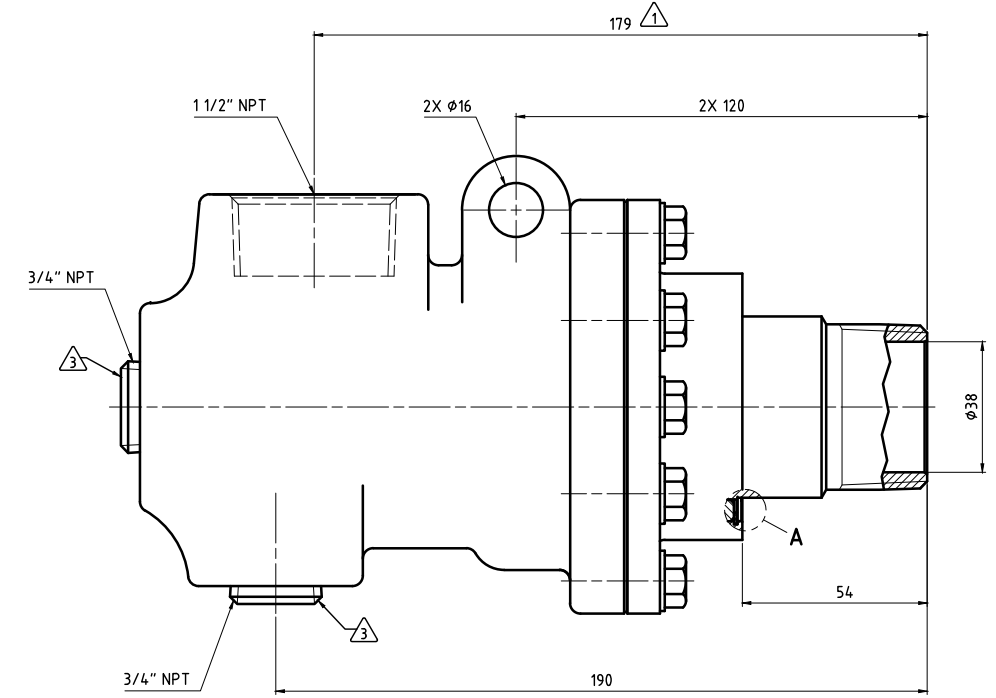
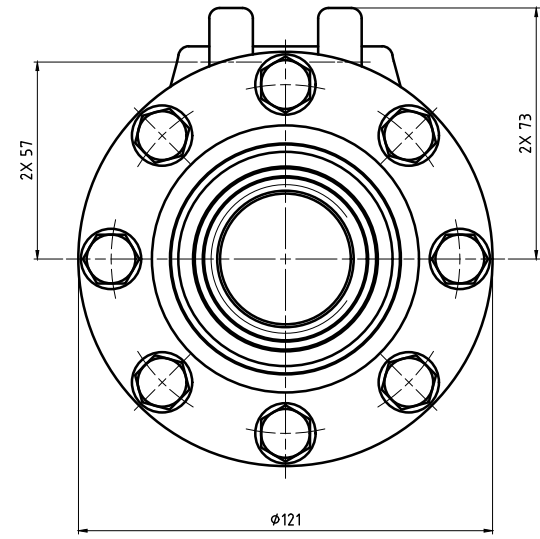
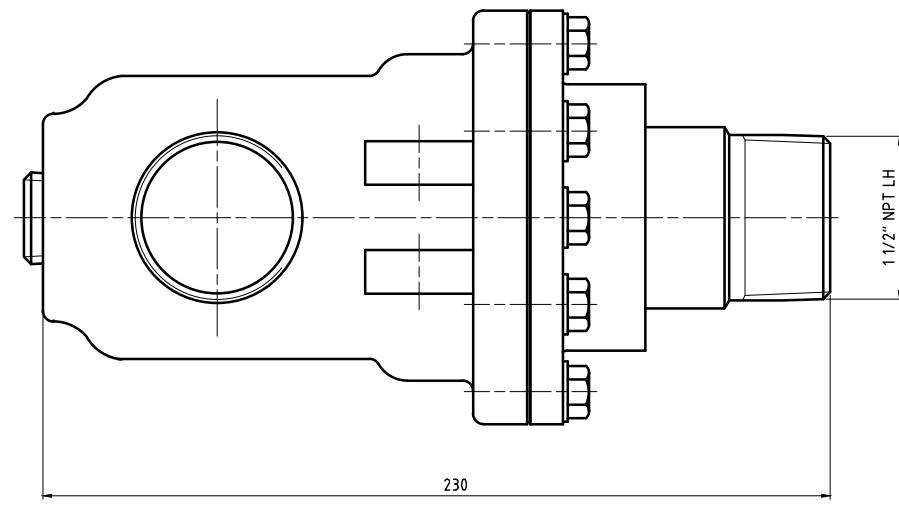


- NOTES:
- △ - SYPHON PIPE LENGTH INTO UNION. PIPE SUPPLIED BY CUSTOMER.
  - △ - SEALS SHOULD BE REPLACED WHEN "X" DIMENSION EXCEEDS 6.4.
  - △ - PLUG INSTALLED HAND TIGHT FROM FACTORY. IF PORT IS NOT UTILIZED, TIGHTEN BEFORE USE.



"X" SEAL WEAR DETAIL  
 A (5:1)



<b>DEUBLIN</b> Engineered for Performance		PROJECTION:	SCALE: 1:1
DRN: 07/01/19 ENGR: 07/01/19 APPD:		DATE: 07/01/19 NAME: masiniid PM	MATERIAL: INTERFACE CONTROL DRAWING
NO. BC-54100-24-21		TITLE: DEUBLIN UNION	
ISSUE/ MODIFICATION ECD DATE SIGN			SHEET A1