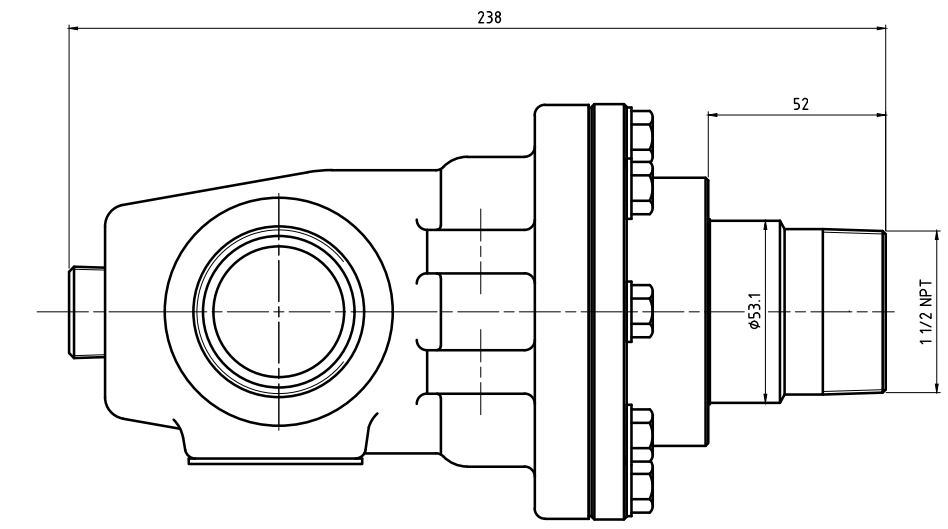
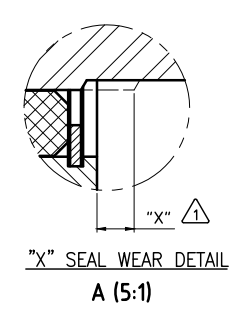
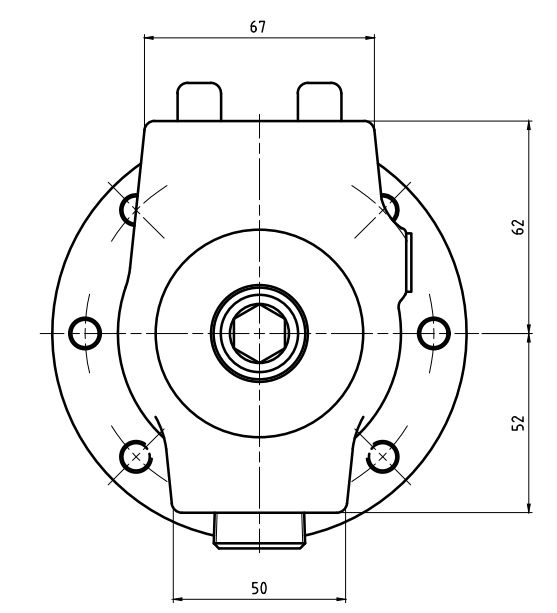
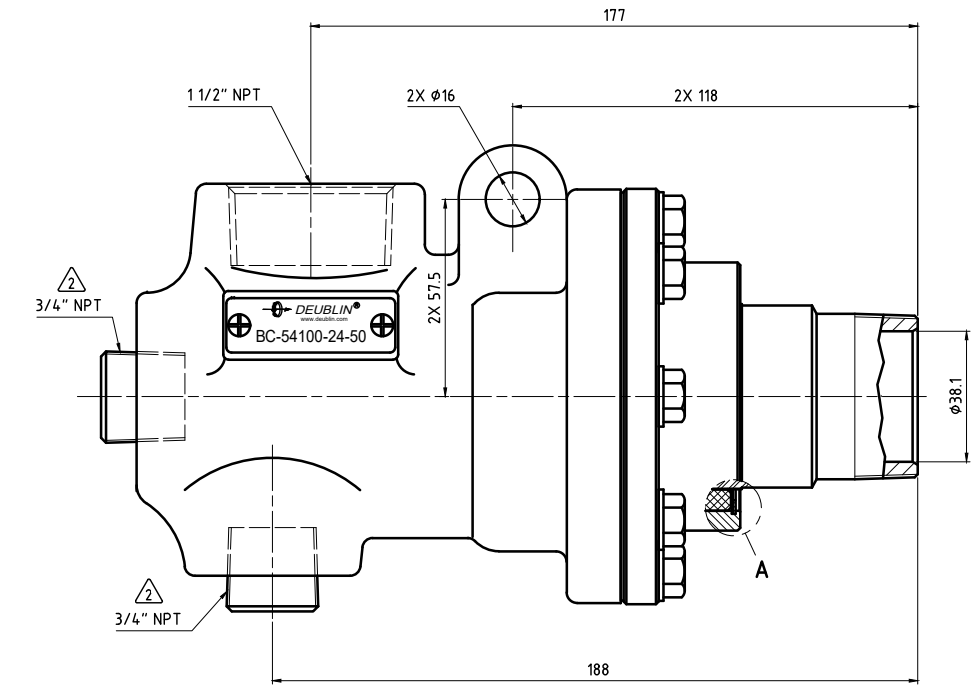
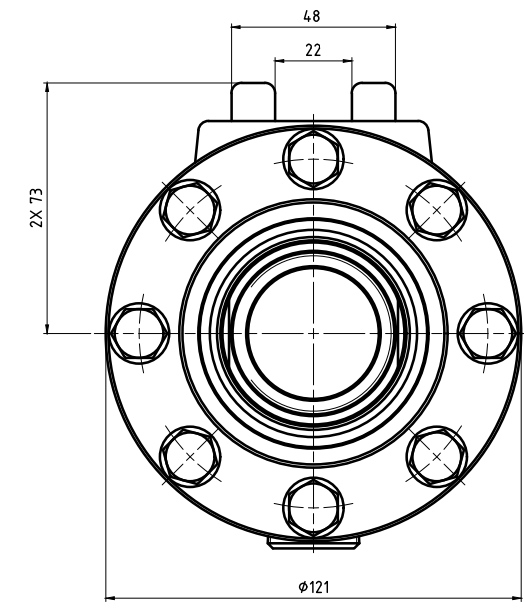


CONFIDENTIAL
 THIS DOCUMENT CONTAINS CONFIDENTIAL AND PROPRIETARY INFORMATION OF DEUBLIN COMPANY. COMPANY, USER AND RECIPIENT TO THE TERMS AND CONDITIONS CONTAINED IN YOUR AGREEMENT WITH DEUBLIN COMPANY. ALL RIGHTS RESERVED.

- NOTES:
- 1 - SEAL MUST BE REPLACED WHEN "X" DIMENSION EXCEEDS 6.3mm. CONTACT DEUBLIN FOR APPROPRIATE SERVICE KIT.
 - 2 - PLUG INSTALLED HAND TIGHT FROM FACTORY. IF PORT IS NOT UTILIZED, TIGHTEN BEFORE USE.



OPERATING DATA		
MEDIA		STEAM
PRESSURE	MAXIMUM	17.2 bar
TEMPERATURE	MAXIMUM	208 °C
SPEED	MAXIMUM	400 min ⁻¹
DRY RUN		NO

	PROJECTION:	SCALE: 1:1	
	MATERIAL:	INTERFACE CONTROL DRAWING	
	DATE:	NAME:	TITLE:
	DRN: 12/13/19	N. Reyna	DEUBLIN UNION
	ENGR: 12/13/19	T. Wilson	
	APPD:		
	NO.:	BC-54100-24-50	SHEET A1
UNLESS SPECIFICALLY TOLERANCED, ALL DIMENSIONS ARE CONSIDERED REFERENCE			
ISSUE/	MODIFICATION	ECD	DATE
			SIGN