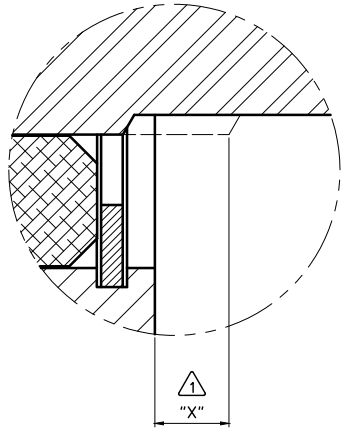
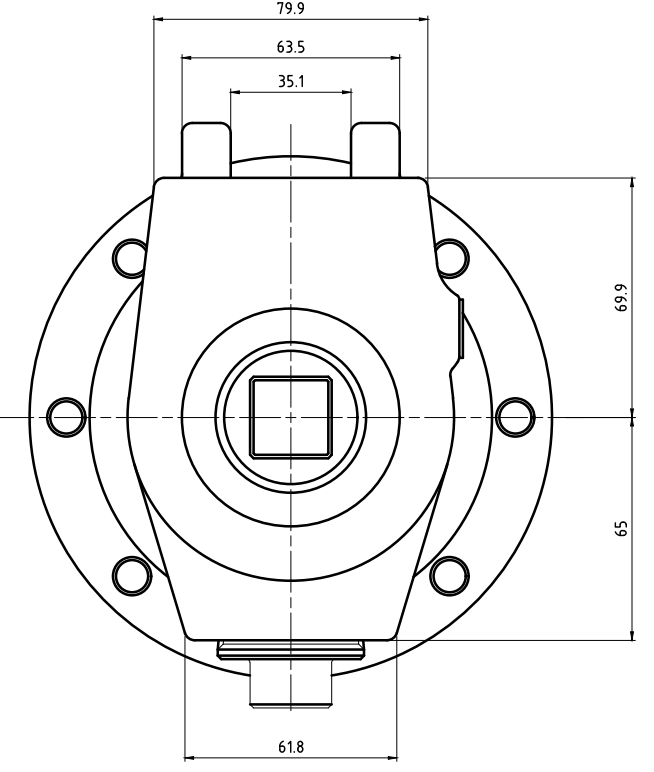
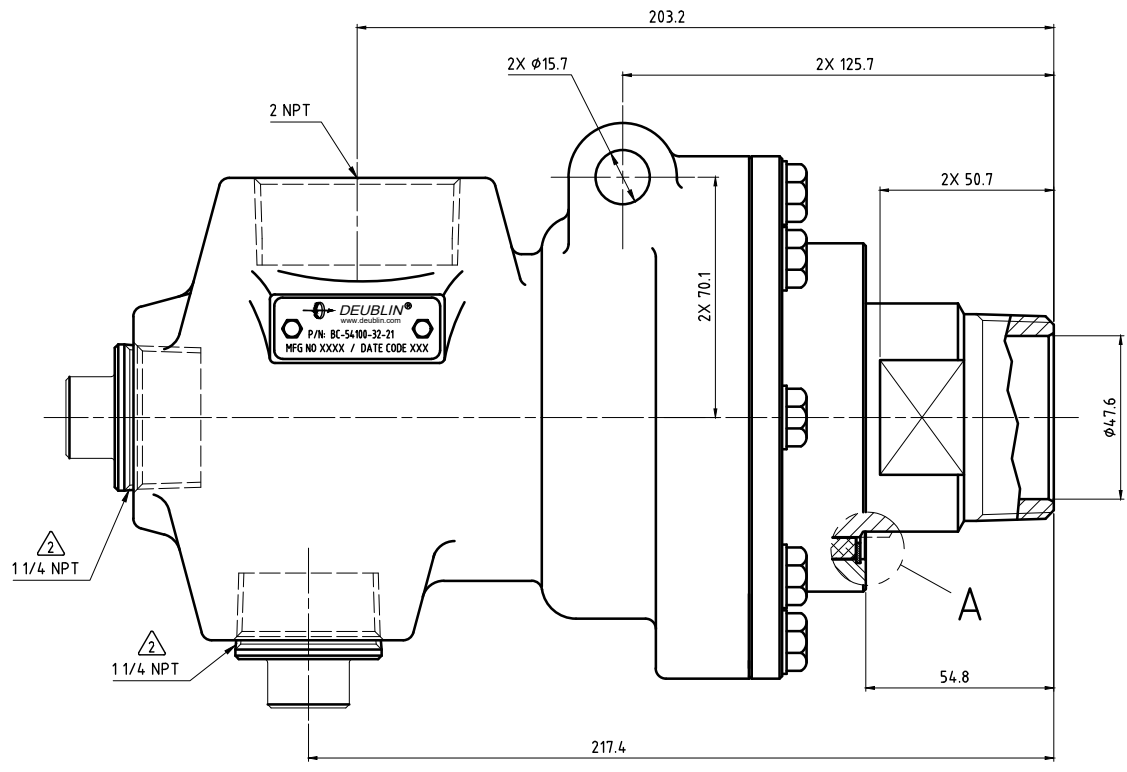
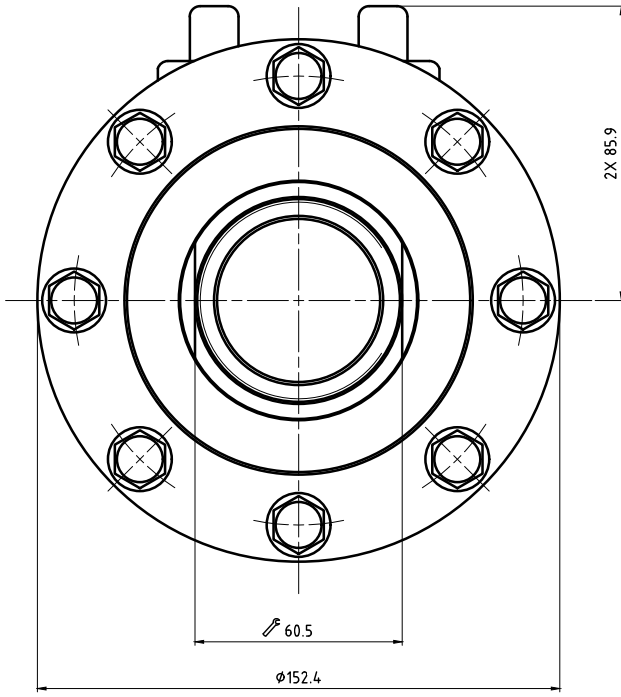
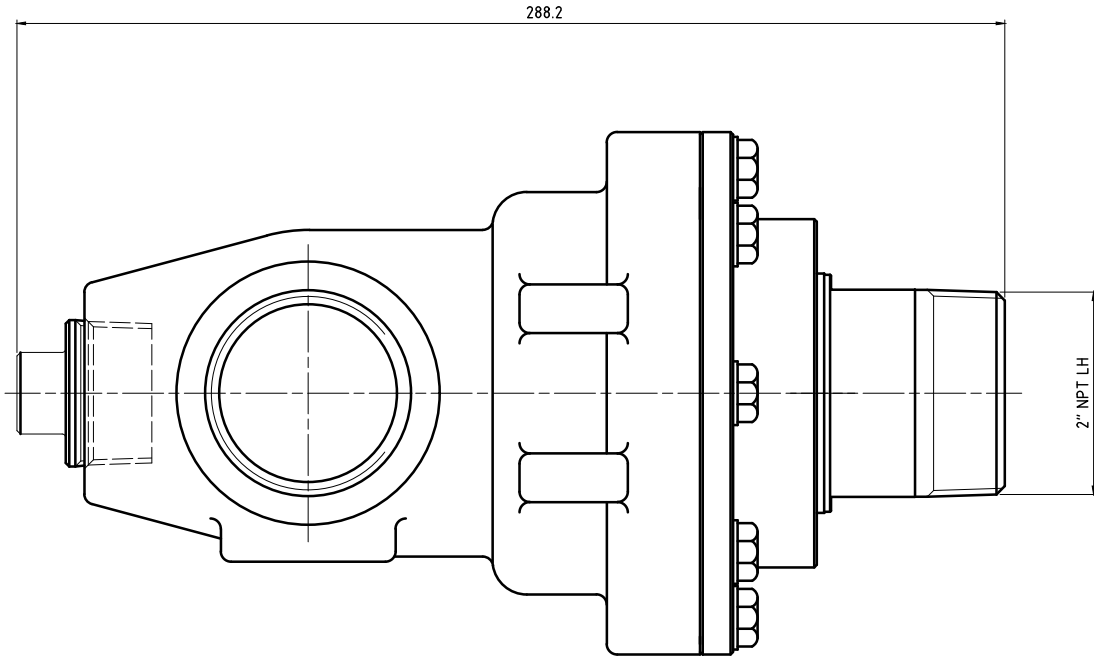


NOTES:
 ⚠ - SEAL MUST BE REPLACED WHEN "X" DIMENSION EXCEEDS 7.9 mm. CONTACT DEUBLIN FOR APPROPRIATE SERVICE KIT.
 ⚠ - PLUG INSTALLED HAND TIGHT FROM FACTORY. IF PORT IS NOT UTILIZED, TIGHTEN BEFORE USE.



"X" SEAL WEAR DETAIL
 A (5:1)



OPERATING DATA		
MEDIA		THERMAL OIL
PRESSURE	MAXIMUM	6.9 bar
TEMPERATURE	MAXIMUM	232 °C
SPEED	MAXIMUM	400 min ⁻¹
DRY RUN		NO

	PROJECTION:	SCALE: 1:1	MATERIAL: INTERFACE CONTROL DRAWING
	DATE: 06/07/19	NAME: N. Reyna	
ENGR: 06/07/19	P. Masini	DEUBLIN UNION	
APPD:		NO. BC-54100-32-21	SHEET A1
UNLESS SPECIFICALLY TOLERANCED, ALL DIMENSIONS ARE CONSIDERED REFERENCE			