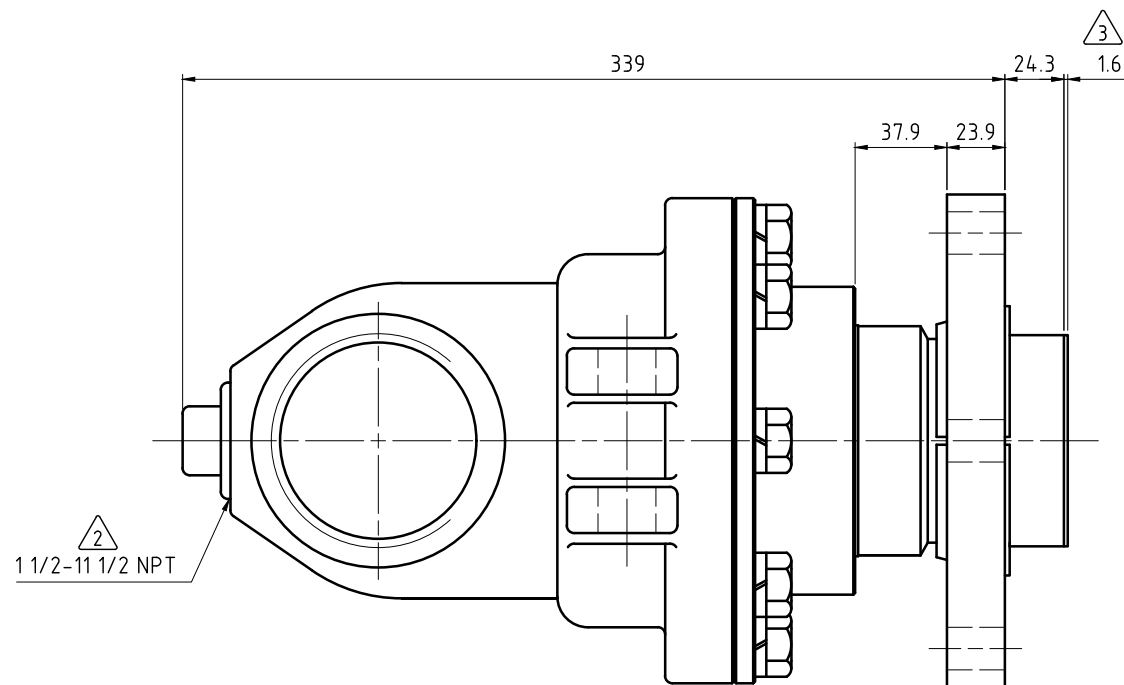
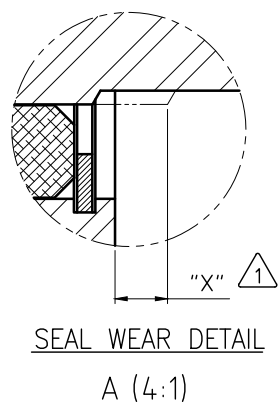
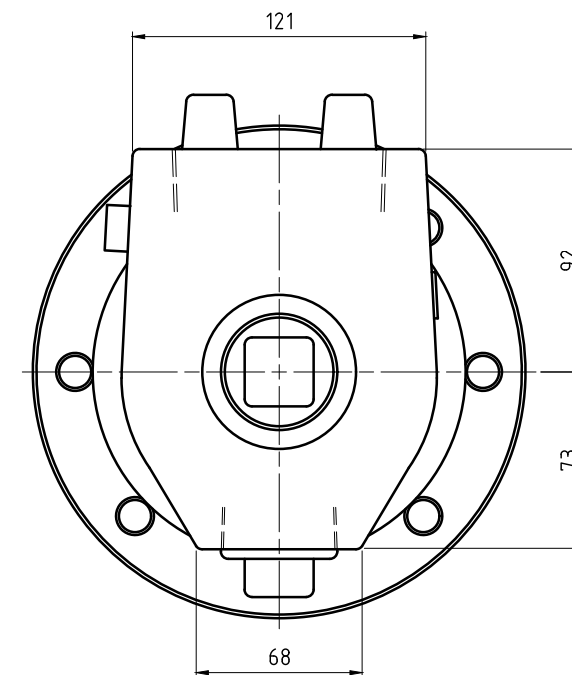
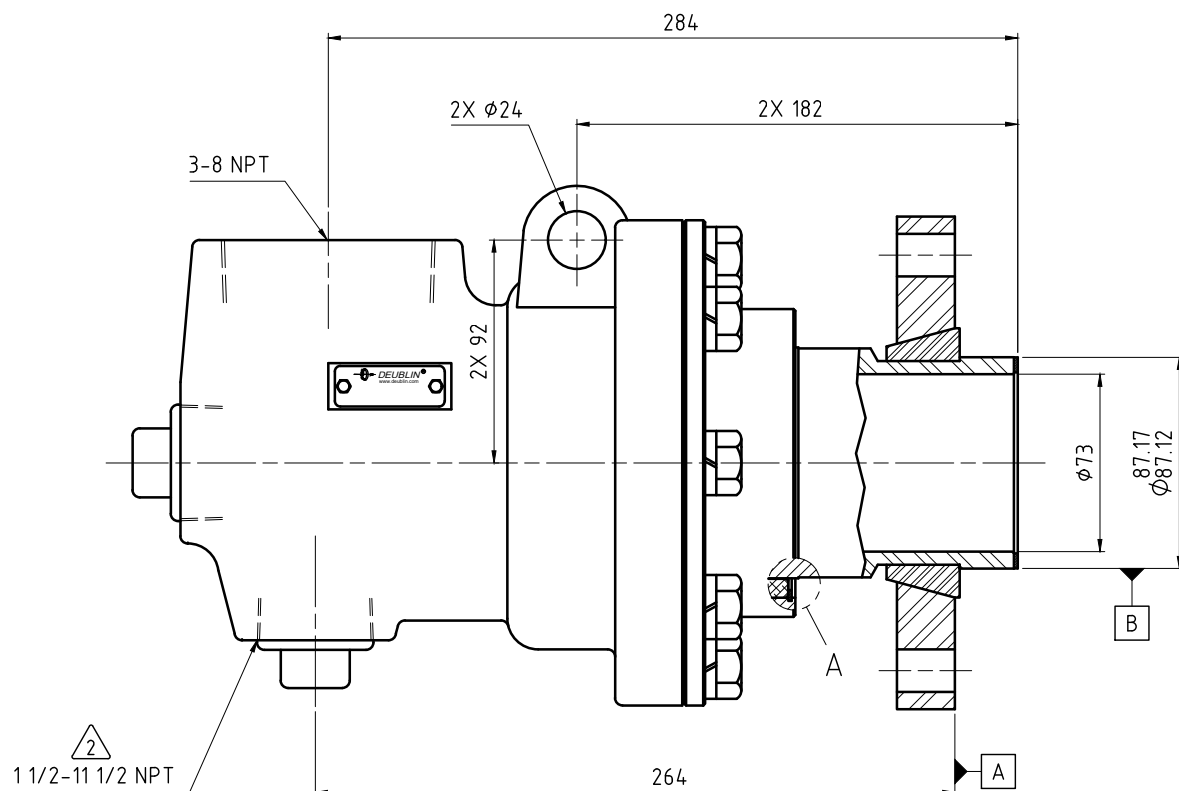
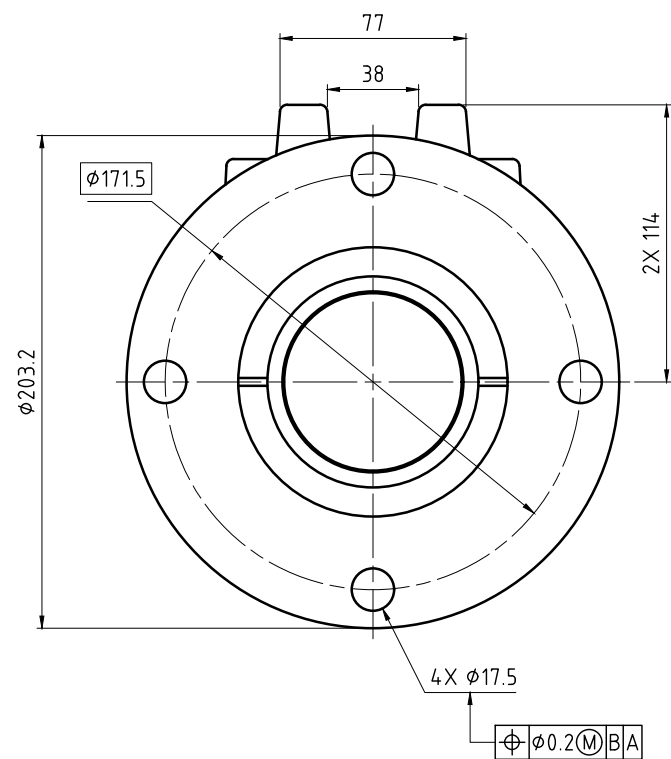


NOTES:

- ① - SEAL MUST BE REPLACED WHEN "X" DIMENSION EXCEEDS 6.3 mm. CONTACT DEUBLIN FOR APPROPRIATE SERVICE KIT.
- ② - PLUG INSTALLED HAND TIGHT FROM FACTORY. IF PORT IS NOT UTILIZED, TIGHTEN BEFORE USE.
- ③ - GASKET THICKNESS.



OPERATING DATA		
MEDIA		STEAM
PRESSURE	MAXIMUM	17.2 bar
TEMPERATURE	MAXIMUM	208 °C
SPEED	MAXIMUM	400 min ⁻¹
DRY RUN		NO



PROJECTION:  SCALE: 1:2
 MATERIAL: INTERFACE CONTROL DRAWING

DATE	NAME
DRN. 08/11/15	N. Reyna
ENGR. 08/11/15	T. Wilson
APPD.	

TITLE: UNION TYPE C MONOFLOW STEAM NPT
 PORTS 3" QR RTR FLANGE INCLUDED
 NO. BC-54100-48-66

UNLESS SPECIFICALLY TOLERANCED, ALL DIMENSIONS ARE CONSIDERED REFERENCE

SHEET A2