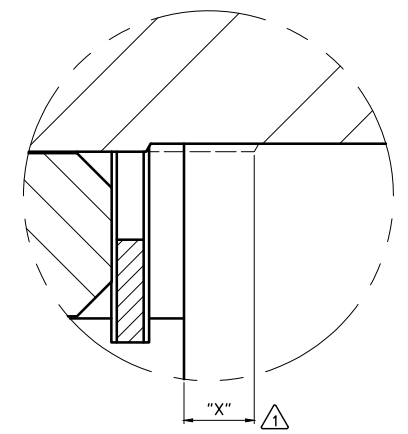
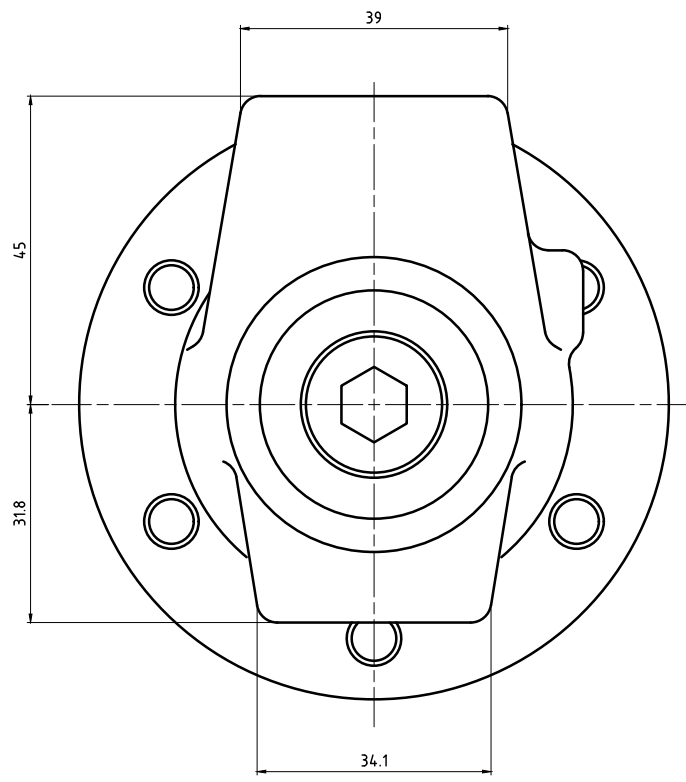
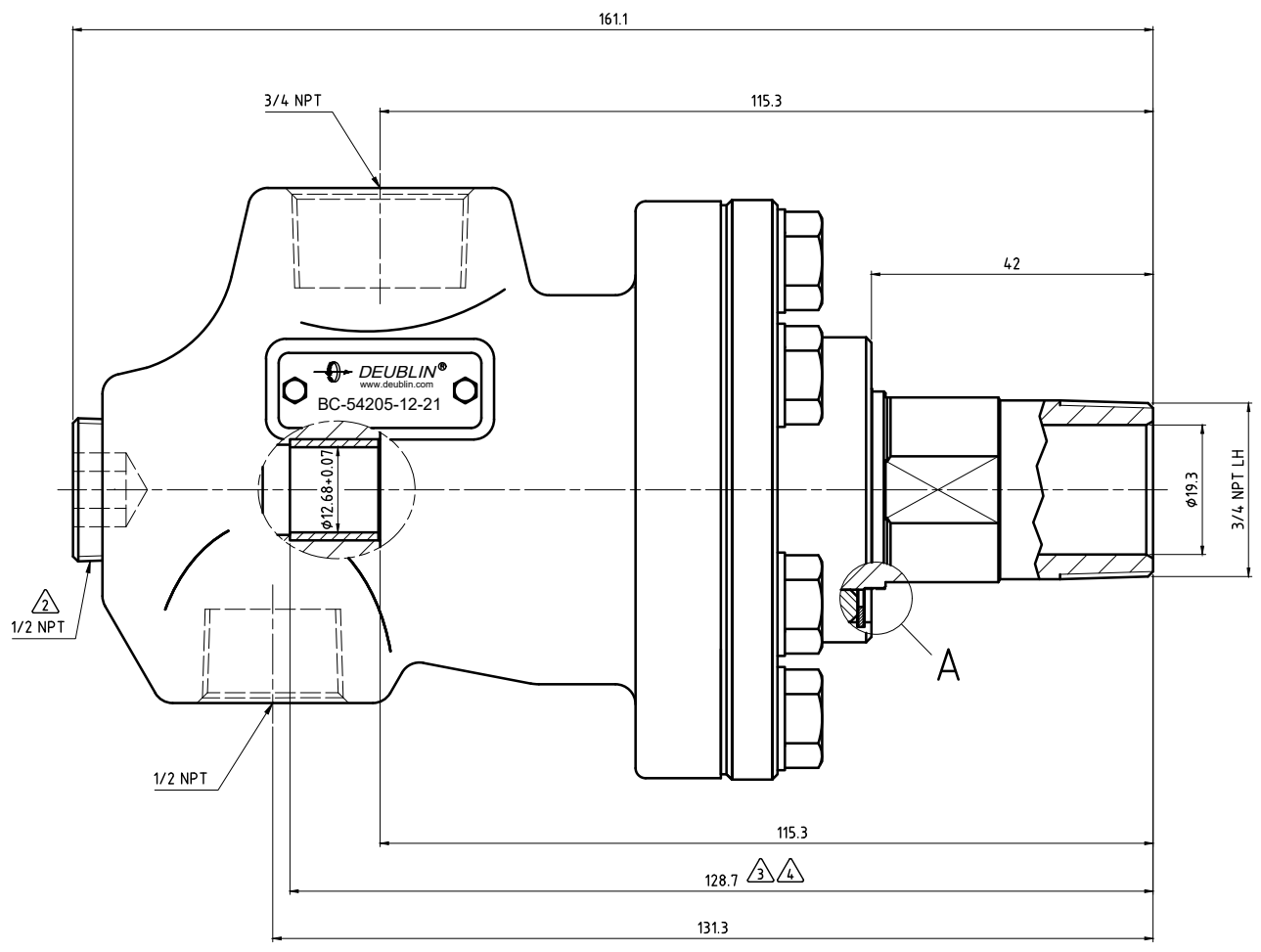
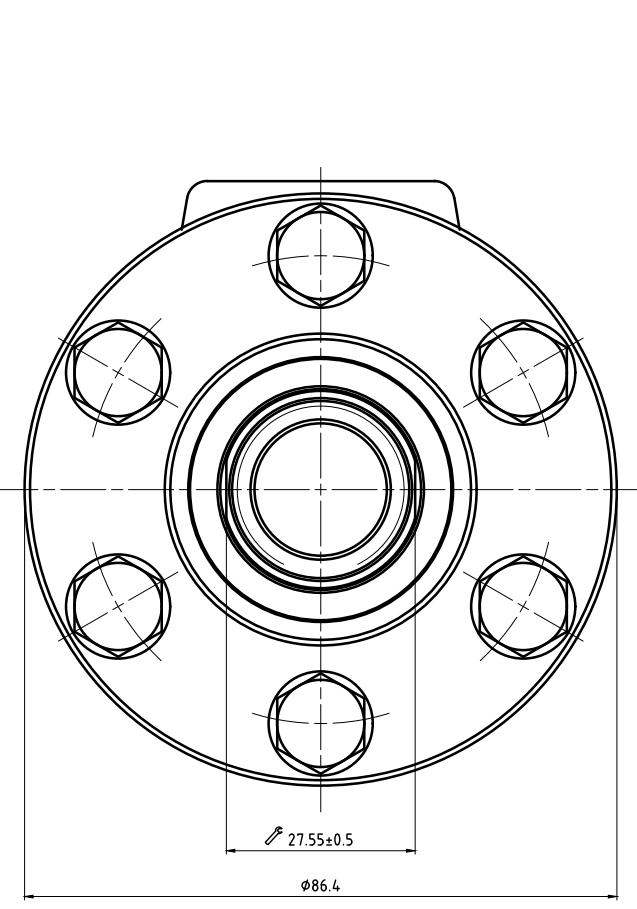


- NOTES:
- 1 - SEAL MUST BE REPLACED WHEN "X" DIMENSION EXCEEDS 6.3 mm. CONTACT DEUBLIN FOR APPROPRIATE SERVICE KIT.
 - 2 - PLUG INSTALLED HAND TIGHT FROM FACTORY. IF PORT IS NOT UTILIZED, TIGHTEN BEFORE USE.
 - 3 - PIPE SUPPLIED BY CUSTOMER.
 - 4 - PIPE LENGTH.



SEAL WEAR DETAIL
 A (5:1)

OPERATING DATA		
MEDIA		THERMAL OIL
PRESSURE	MAXIMUM	6.9 bar
TEMPERATURE	MAXIMUM	232 °C
SPEED	MAXIMUM	400 min ⁻¹
DRY RUN		NO

	PROJECTION:	SCALE: 2:1	MATERIAL: INTERFACE CONTROL DRAWING
	DATE: 06/04/19 NAME: N. Reyna ENGR: 06/04/19 APPD: P. Masini	TITLE:	
NO. BC-54205-12-21			SHEET A2