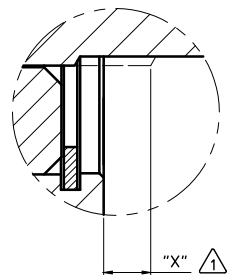
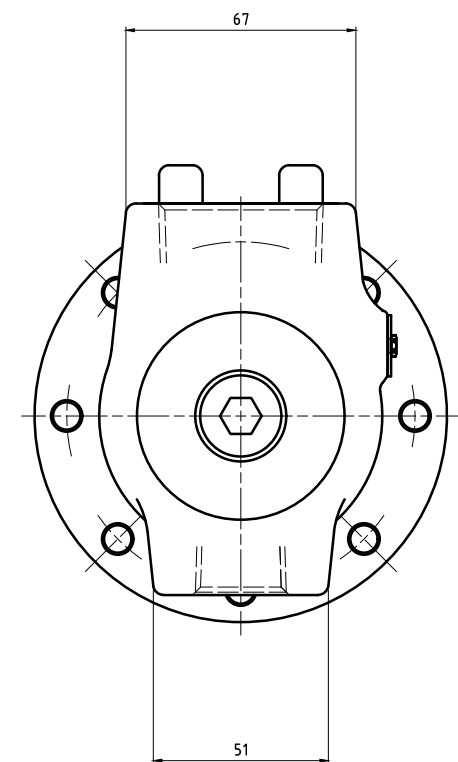
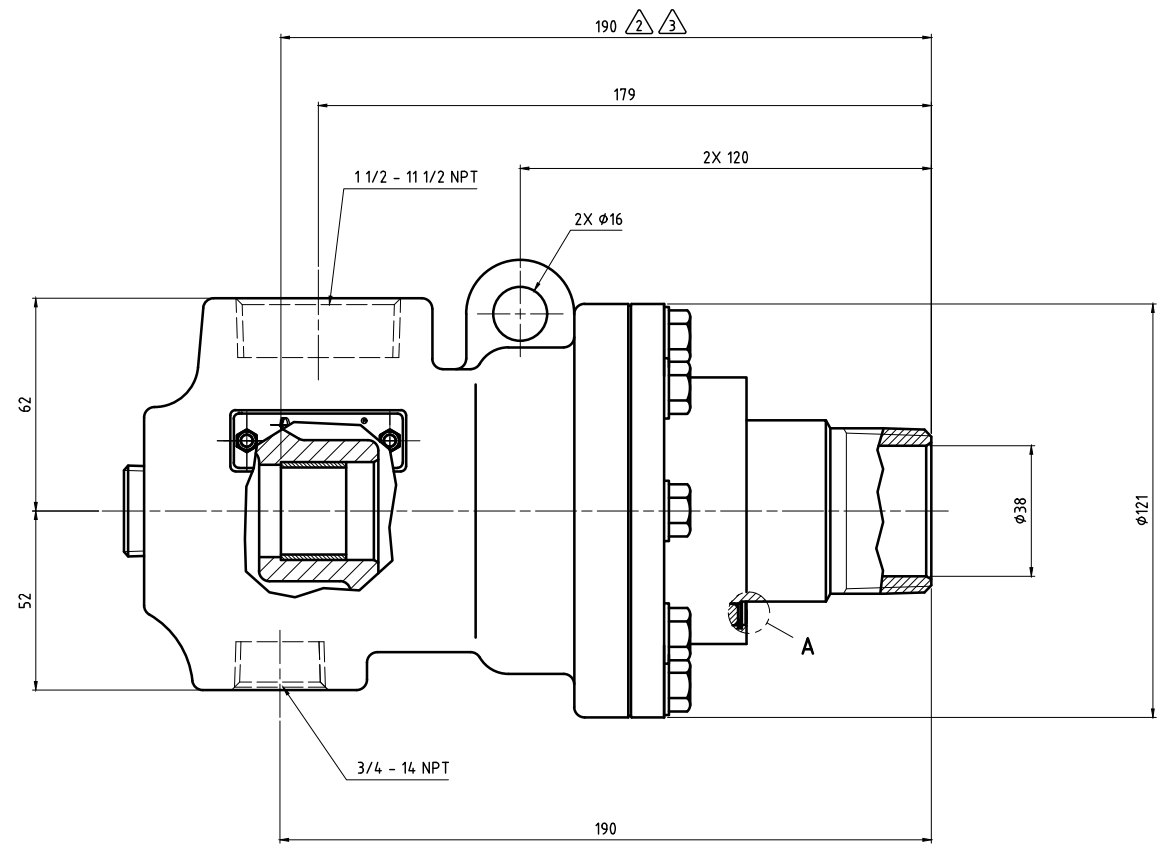
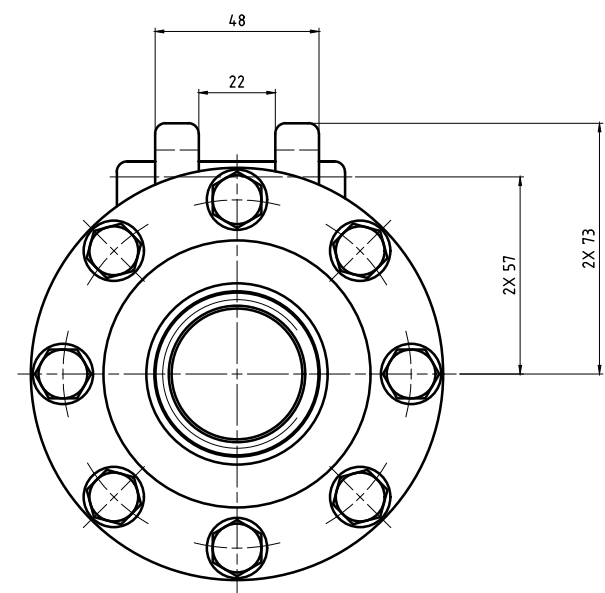
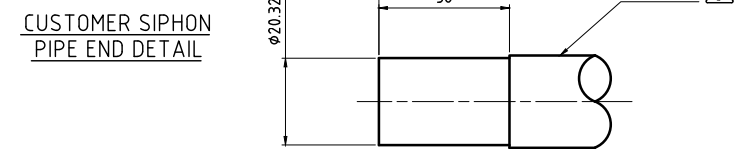
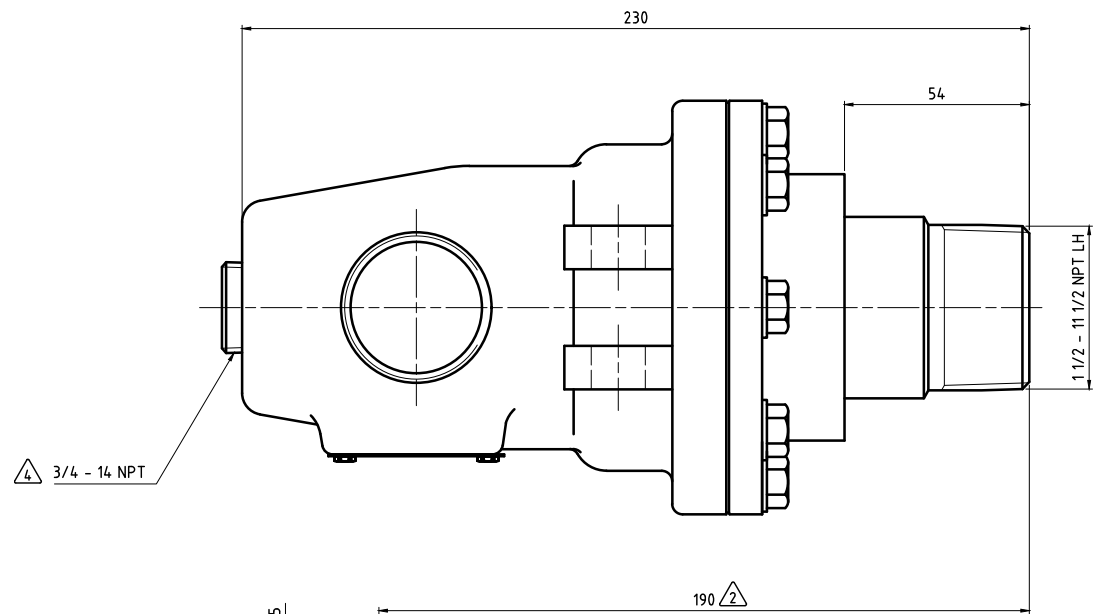


- NOTES:
- ⚠ - SEAL MUST BE REPLACED WHEN "X" DIMENSION EXCEEDS 6.3 mm. CONTACT DEUBLIN FOR APPROPRIATE SERVICE KIT.
 - ⚠ - PIPE LENGTH INTO UNION.
 - ⚠ - PIPE SUPPLIED BY CUSTOMER.
 - ⚠ - PLUG INSTALLED HAND TIGHT FROM FACTORY. IF PORT IS NOT UTILIZED, TIGHTEN BEFORE USE.



SEAL WEAR DETAIL
 A (5:1)



CUSTOMER SIPHON
 PIPE END DETAIL

OPERATING DATA		
MEDIA		THERMAL OIL
PRESSURE	MAXIMUM	6.9 bar
TEMPERATURE	MAXIMUM	232 °C
SPEED	MAXIMUM	400 min ⁻¹
DRY RUN		NO

	PROJECTION:	SCALE: 1:1
	MATERIAL:	INTERFACE CONTROL DRAWING
DATE:	NAME:	TITLE:
DRN: 06/07/19	N. Reyna	UNION TYPE C ROTATING SIPHON
ENGR: 06/07/19	P. Masini	NPT PORTS 1-1/2" NPT LH ROTOR
APPD:		
NO. BC-54205-24-21		SHEET A1
UNLESS SPECIFICALLY TOLERANCED, ALL DIMENSIONS ARE CONSIDERED REFERENCE		
ISSUE/	MODIFICATION	ECD DATE SIGN