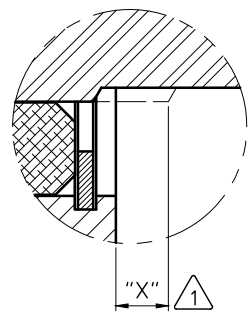
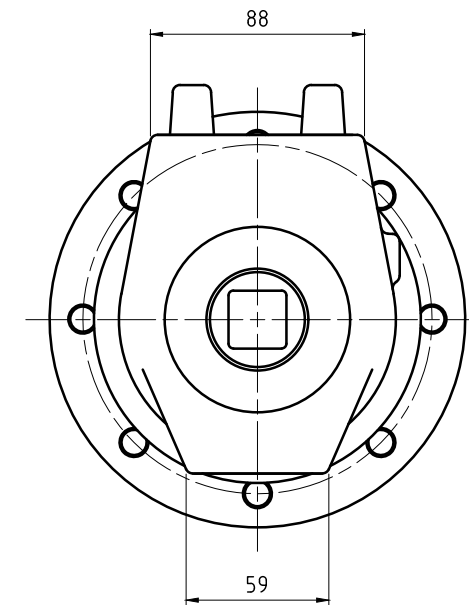
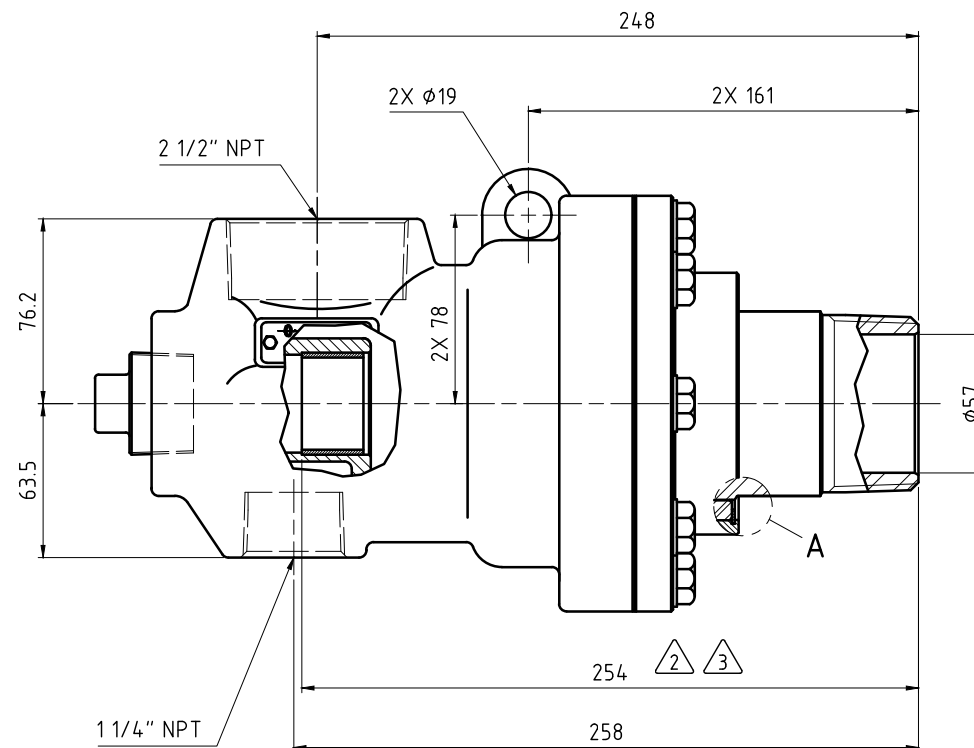
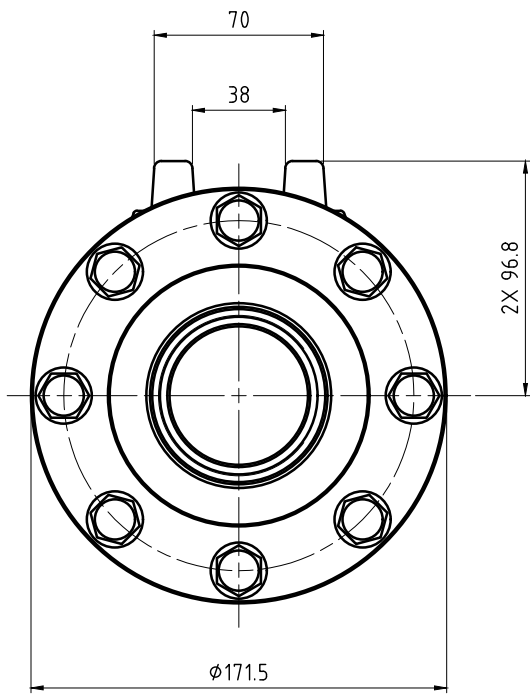
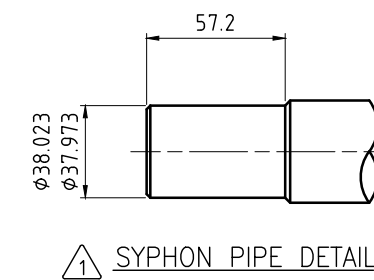
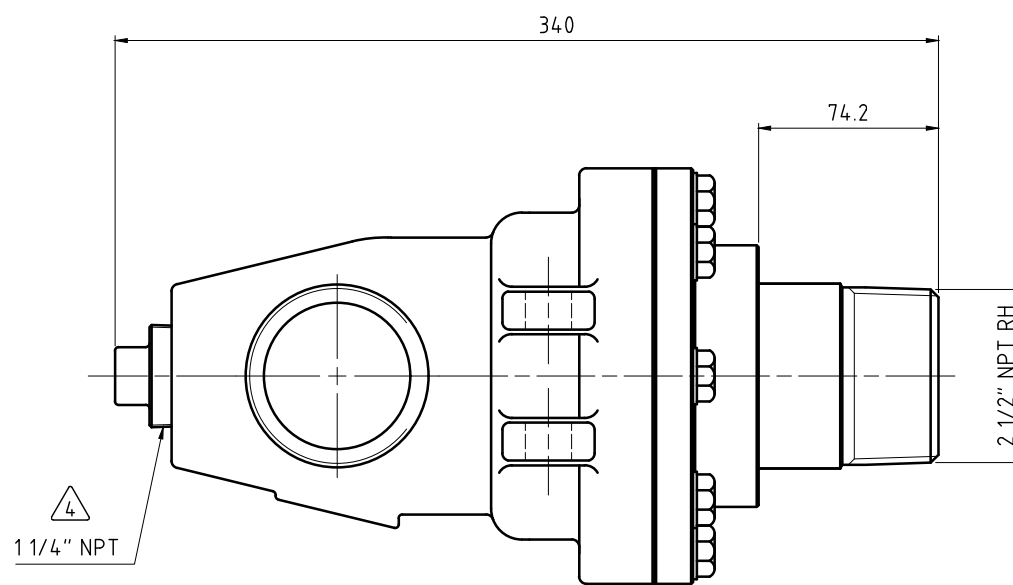


NOTES:



- ① - SEAL MUST BE REPLACED WHEN "X" DIMENSION EXCEEDS 6.3 mm. CONTACT DEUBLIN FOR APPROPRIATE SERVICE KIT.
- ② - PIPE LENGTH INTO UNION.
- ③ - PIPE SUPPLIED BY CUSTOMER.
- ④ - PLUG INSTALLED HAND TIGHT FROM FACTORY. IF PORT IS NOT UTILIZED, TIGHTEN BEFORE USE.



"X" SEAL WEAR DETAIL  
 A (5:1)



① SYPHON PIPE DETAIL

		PROJECTION: 	SCALE: 1:2
		MATERIAL: INTERFACE CONTROL DRAWING	
DATE	NAME	TITLE: DEUBLIN UNION	
DRN. 03/29/16	N. Reyna		
ENGR. 03/29/16	L. Freed		
APPD.			
		NO. BC-54205-40-50	SHEET A2
ISSUE	MODIFICATION	ECO	DATE

UNLESS SPECIFICALLY TOLERANCED, ALL DIMENSIONS ARE CONSIDERED REFERENCE