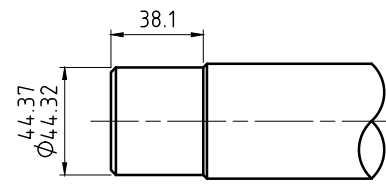
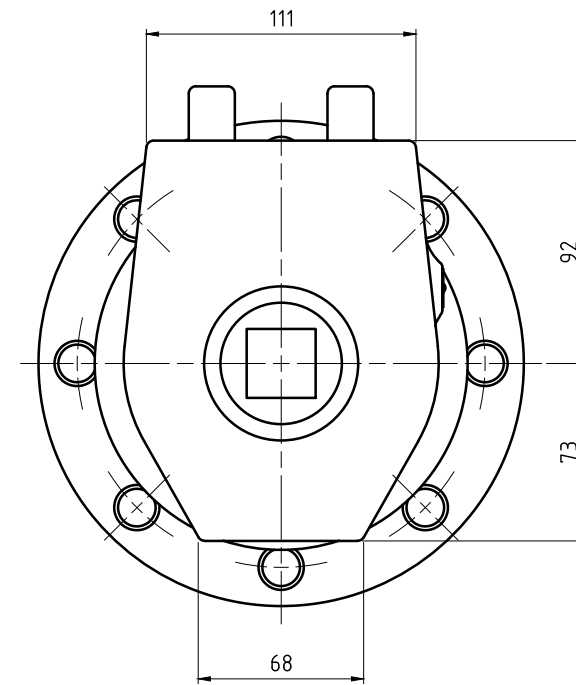
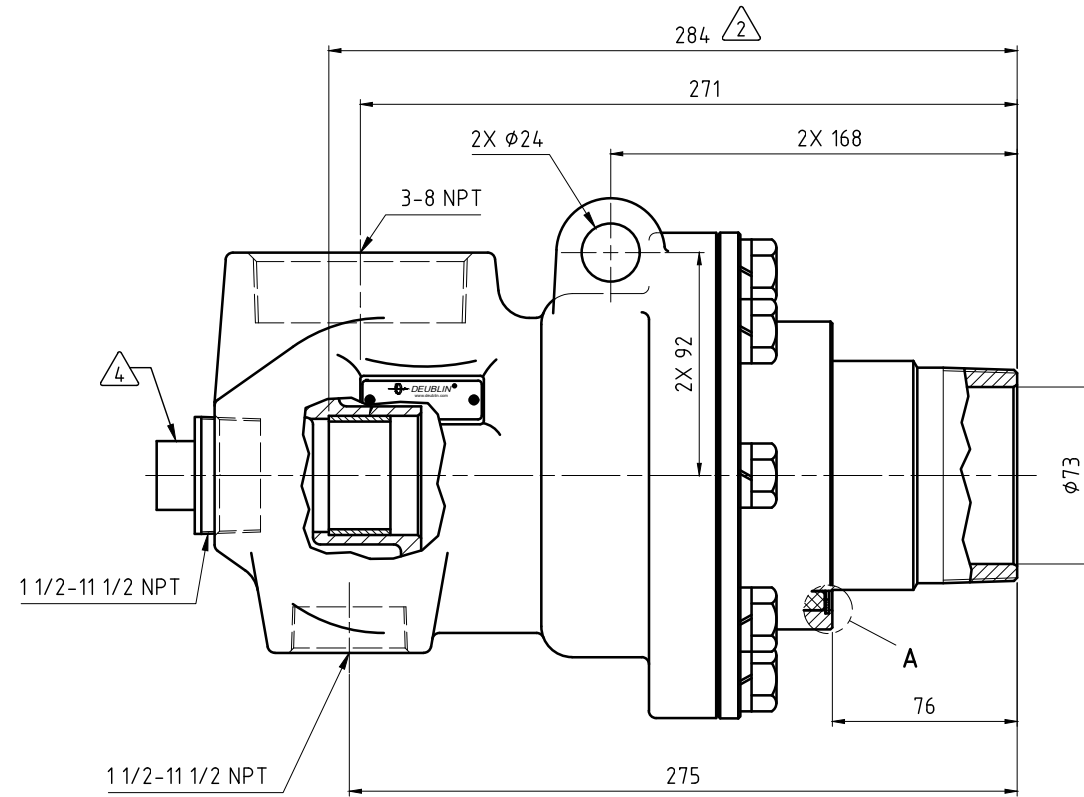
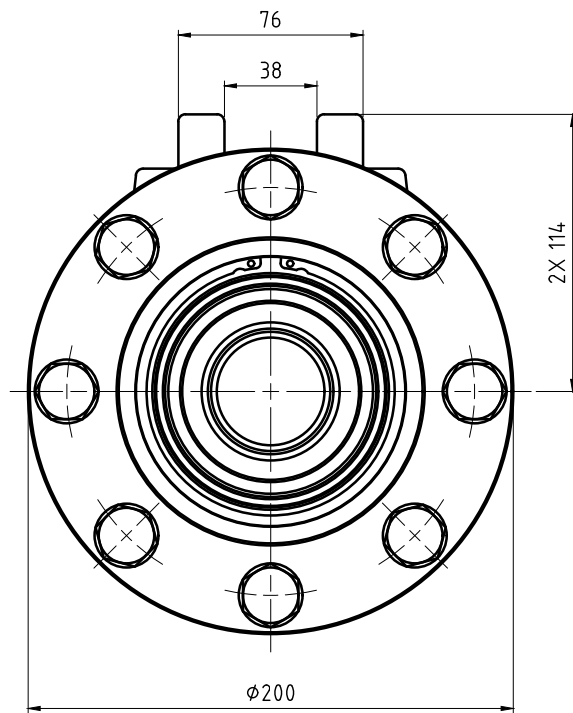
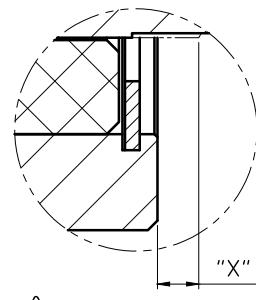


NOTES:

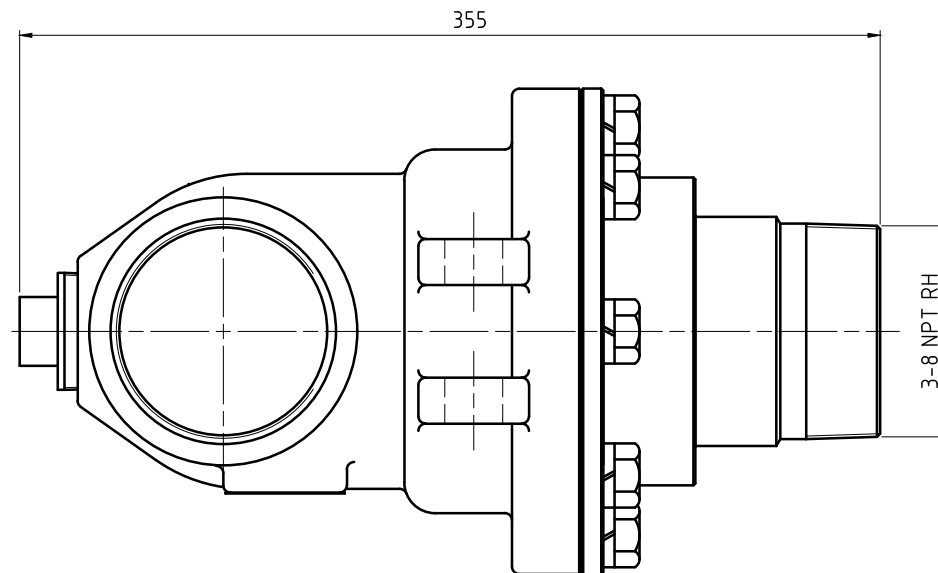
- ① - PIPE SUPPLIED BY CUSTOMER.
- ② - PIPE LENGTH.
- ③ - SEAL MUST BE REPLACED WHEN "X" DIMENSION EXCEEDS 6.3 mm. CONTACT DEUBLIN FOR APPROPRIATE SERVICE KIT.
- ④ - PLUG INSTALLED HAND TIGHT FROM FACTORY. IF PORT IS NOT UTILIZED, TIGHTEN BEFORE USE.



① PIPE DETAIL



③ SEAL WEAR DETAIL
 A (5:1)



OPERATING DATA		
MEDIA	THERMAL OIL	
PRESSURE	MAXIMUM	6.9 bar
TEMPERATURE	MAXIMUM	232 °C
SPEED	MAXIMUM	350 min ⁻¹
DRY RUN	NO	



PROJECTION:
 SCALE: 1:2
 MATERIAL: INTERFACE CONTROL DRAWING

ISSUE	MODIFICATION	ECO	DATE	SIGN	DATE	NAME

TITLE: **DEUBLIN UNION**
 NO. **BC-54205-48-20**

SHEET
 A2

UNLESS SPECIFICALLY TOLERANCED, ALL DIMENSIONS ARE CONSIDERED REFERENCE