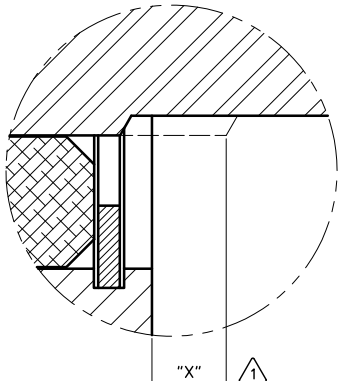
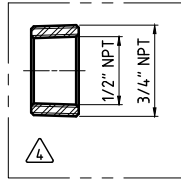
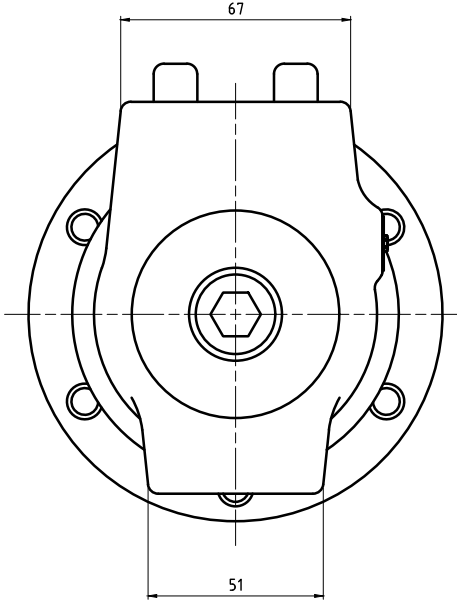
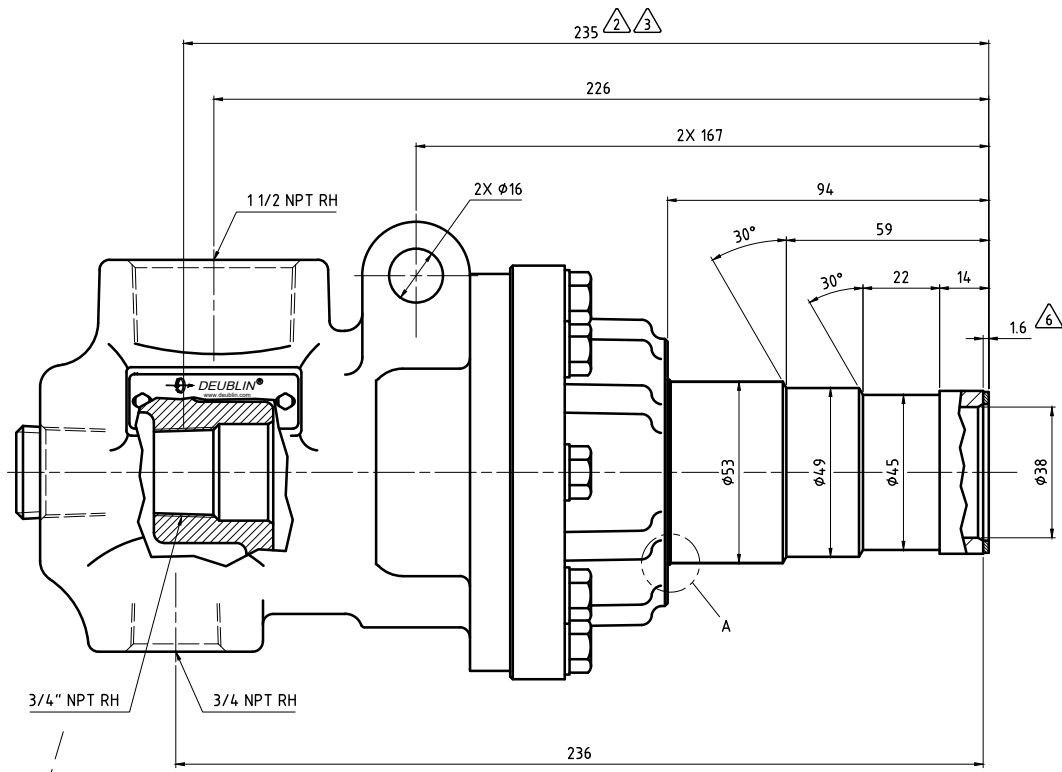
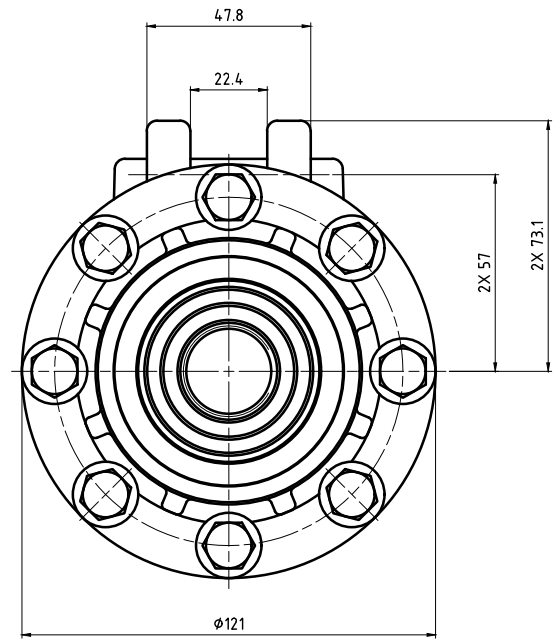


- NOTES:
- ① - SEAL MUST BE REPLACED WHEN "X" DIMENSION EXCEEDS 8.6 mm. CONTACT DEUBLIN FOR APPROPRIATE SERVICE KIT.
 - ② - PIPE LENGTH INTO UNION.
 - ③ - PIPE SUPPLIED BY CUSTOMER.
 - ④ - OPTIONAL SIPHON INSERT INCLUDED.
 - ⑤ - PLUG INSTALLED HAND TIGHT FROM FACTORY. IF PORT IS NOT UTILIZED, TIGHTEN BEFORE USE.
 - ⑥ - GASKET THICKNESS.



SEAL WEAR DETAIL
 A (5:1)

OPERATING DATA		
MEDIA		THERMAL OIL
PRESSURE	MAXIMUM	6.9 bar
TEMPERATURE	MAXIMUM	232 °C
SPEED	MAXIMUM	400 min ⁻¹
DRY RUN		NO

	PROJECTION:	SCALE: 1:1	MATERIAL: INTERFACE CONTROL DRAWING
	DATE: 04/20/16	NAME: N. Reyna	
DRN: 04/20/16	ENGR: 04/20/16	APPD: L. Freed	NO. BC-55000-24-62
UNLESS SPECIFICALLY TOLERANCED, ALL DIMENSIONS ARE CONSIDERED REFERENCE			SHEET A1