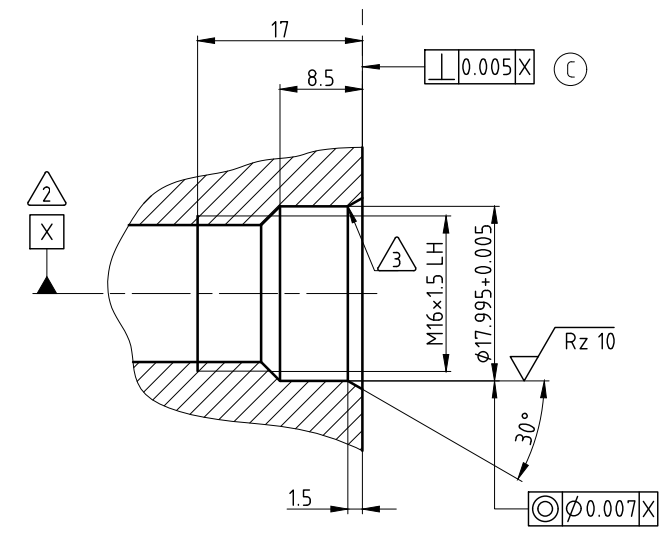
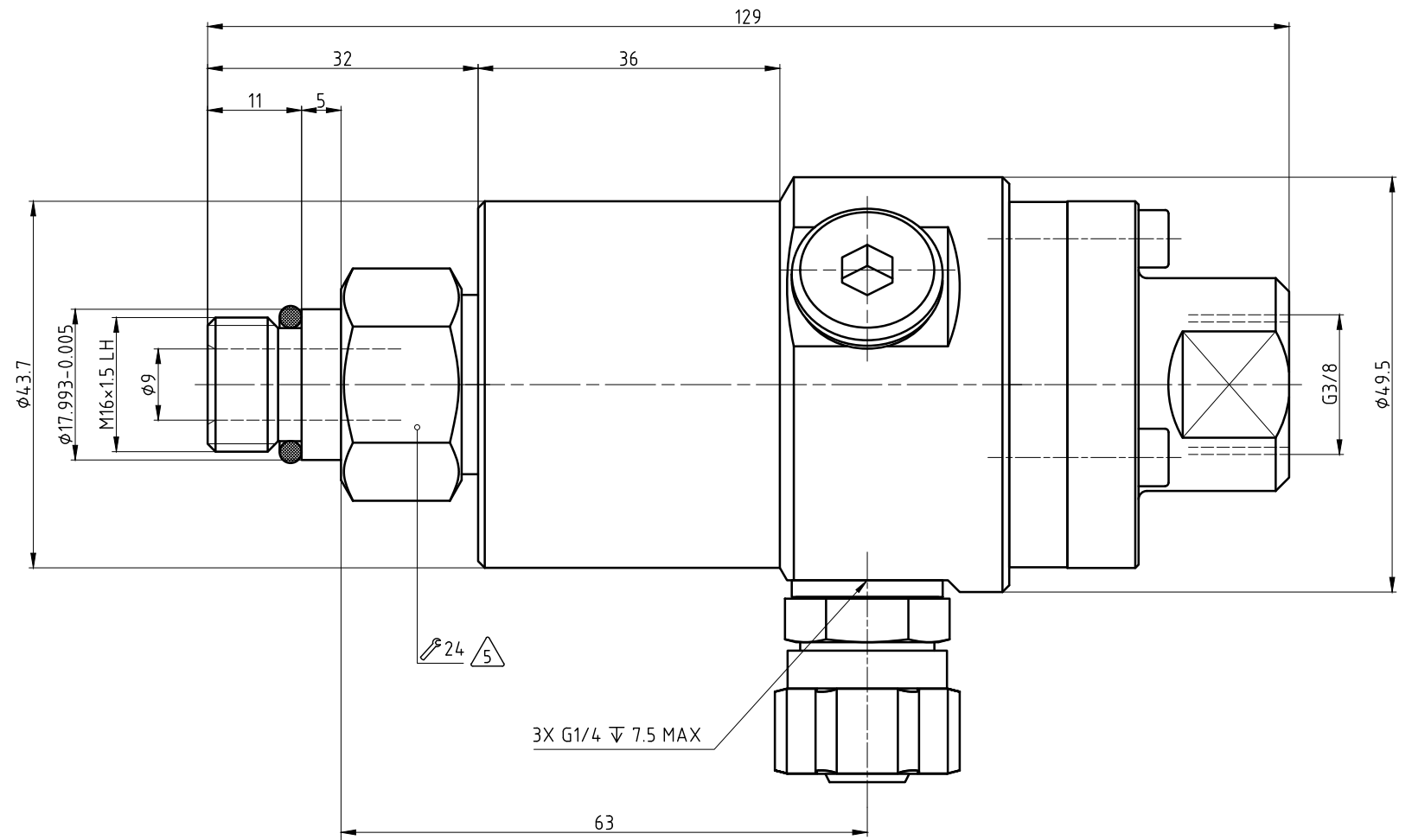
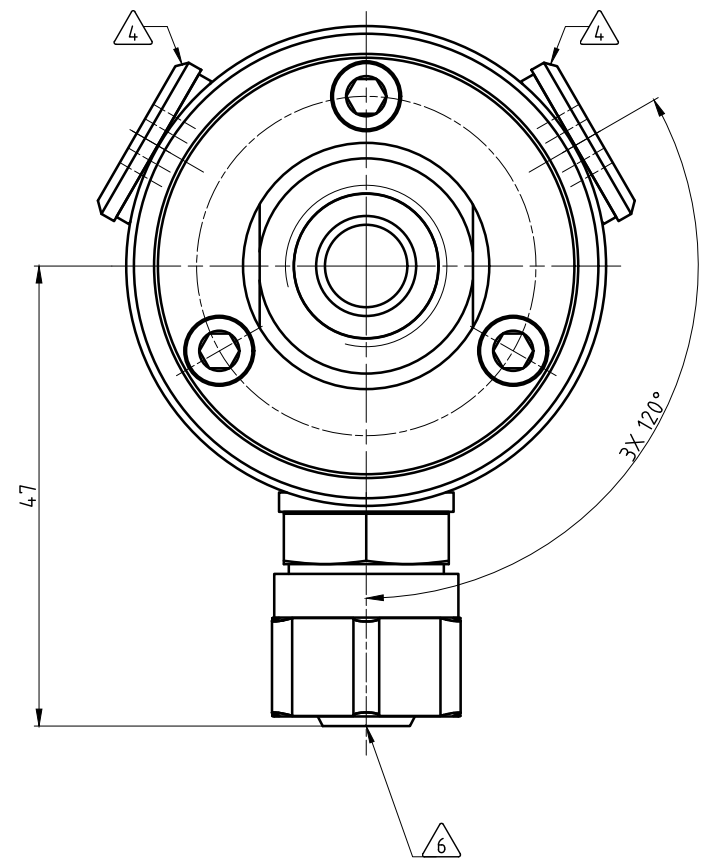


CONFIDENTIAL  
 THIS DOCUMENT CONTAINS CONFIDENTIAL AND PROPRIETARY INFORMATION OF DEUBLIN COMPANY. COPYING, USE, TRANSMISSION, DISTRIBUTION, AND DISCLOSURE ARE SUBJECT TO THE TERMS AND CONDITIONS CONTAINED IN YOUR AGREEMENT WITH DEUBLIN COMPANY. ALL RIGHTS RESERVED.

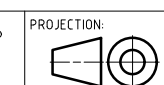
NOTES:

- 1 - CONTACT DEUBLIN OR VISIT WWW.DEUBLIN.COM FOR INSTRUCTION MANUAL: 040-553
- 2 - SPINDLE BEARING ARRANGEMENT
- 3 - ROUNDED
- 4 - 2X PIPE PLUG G 1/4
- 5 - TORQUE TO 35Nm.
- 6 - DRAIN PORT FOR TUBE WITH 8 mm NOMINAL WIDTH.



OPERATING DATA			
		COOLANT	MQL
MEDIA PRESSURE	MAXIMUM	70 bar	10 bar
	MINIMUM	1 bar	1 bar
FLOW RATE	MAXIMUM	82 L/min	3810 NL/min
	MINIMUM	1 L/min	160 NL/min
TEMPERATURE	MAXIMUM	70 °C	70 °C
	MINIMUM	5 °C	5 °C
MAXIMUM SPEED		12000 min <sup>-1</sup>	12000 min <sup>-1</sup>
DRY RUN	UNPRESSURIZED ONLY		
RECOMMENDED FILTRATION	ISO 4406 CLASS 17/15/12		

CUSTOMER INTERFACE



SCALE: 2:1  
 MATERIAL: INTERFACE CONTROL DRAWING

ISSUE	MODIFICATION	ECO	DATE	SIGN	DATE	NAME
C	UPDATED TO MS	036455	02/16	CW	22.01.2010	FD
B	UPDATE TO MS	022633	02.04.13	CD	22.01.2010	CW
A	WAS 40 Nm	009015	22.02.10	FD		

TITLE: DEUBLIN ROTATING UNION  
 DEUBLIN Drehdurchführung

NO. 902-121-188

SHEET A2

UNLESS SPECIFICALLY TOLERANCED, ALL DIMENSIONS ARE CONSIDERED REFERENCE