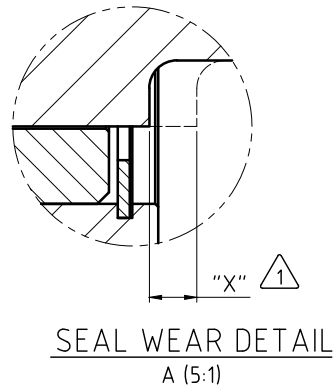
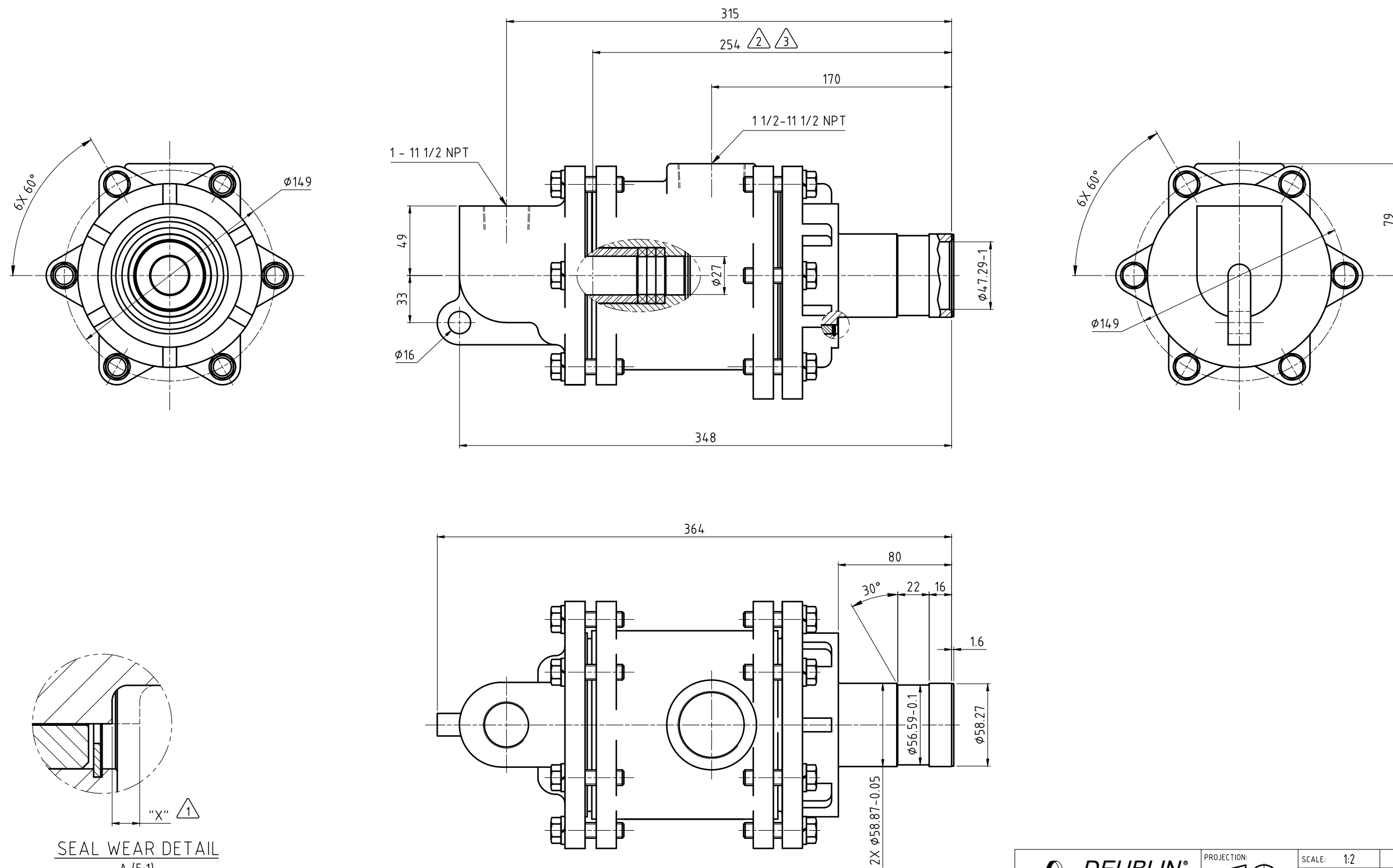


NOTES:

- ① - SEAL MUST BE REPLACED WHEN "X" DIMENSION EXCEEDS 10.4mm. CONTACT DEUBLIN FOR APPROPRIATE SERVICE KIT.
- ② - PIPE LENGTH INTO UNION.
- ③ - PIPE SUPPLIED BY CUSTOMER.



		PROJECTION:		SCALE: 1:2
				MATERIAL: INTERFACE CONTROL DRAWING
		DATE	NAME	TITLE:
	DRN.	12/09/14	N. Reyna	DEUBLIN UNION
	ENGR.	12/09/14	T. Wilson	
	APPD.			
UNLESS SPECIFICALLY TOLERANCED, ALL DIMENSIONS ARE CONSIDERED REFERENCE				NO.
				BC-56343-32-62
ISSUE	MODIFICATION	ECO	DATE	SIGN