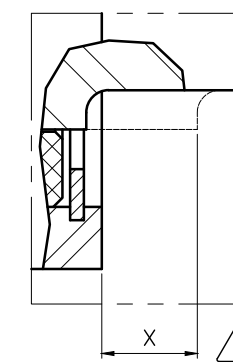
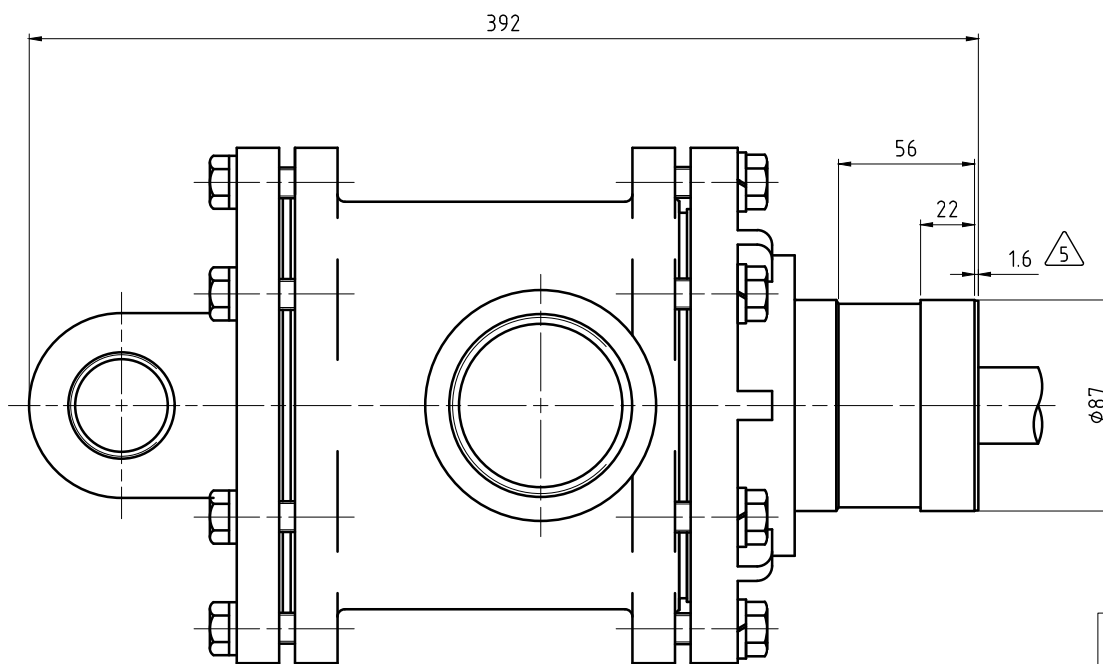
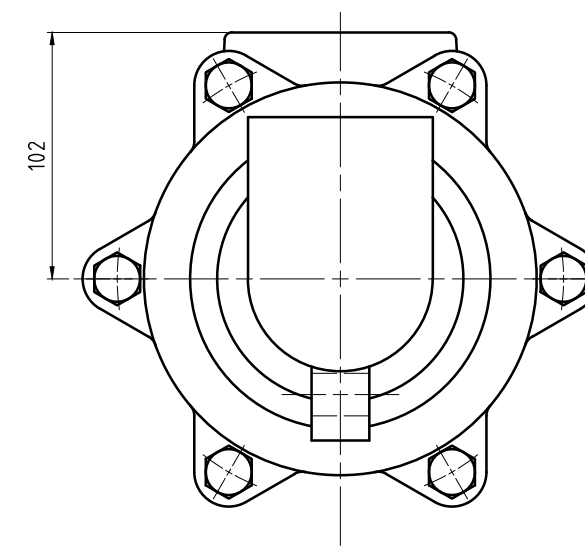
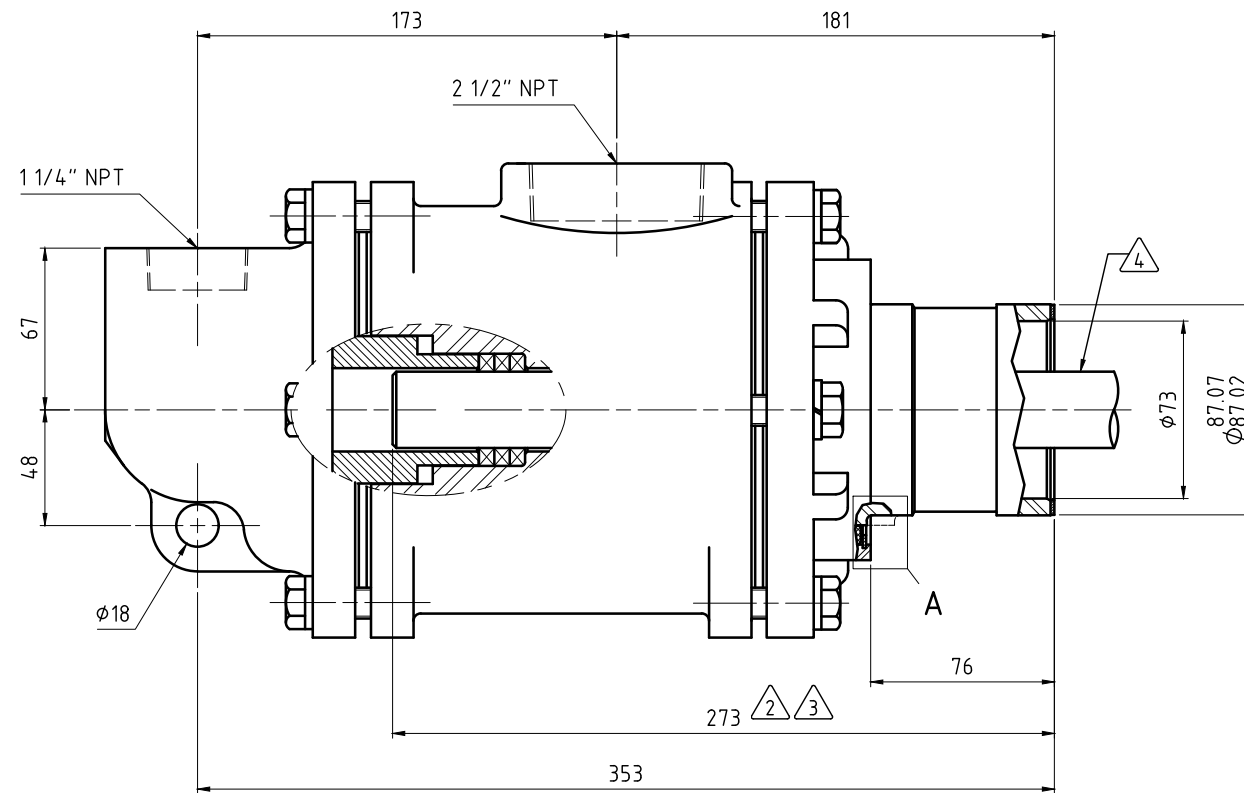
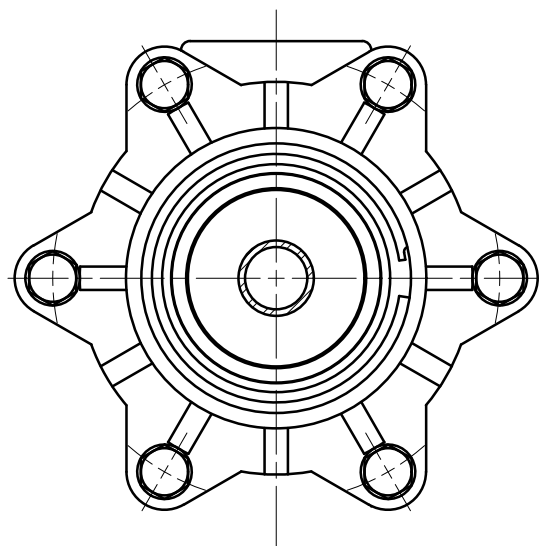


NOTES:

- ① - SEAL MUST BE REPLACED WHEN "X" DIMENSION EXCEEDS 6.3 mm. CONTACT DEUBLIN FOR APPROPRIATE SERVICE KIT.
- ② - PIPE SUPPLIED BY CUSTOMER.
- ③ - PIPE LENGTH.
- ④ - PIPE SUPPLIED BY CUSTOMER. PIPE SIZE: 1"
- ⑤ - GASKET THICKNESS.



"X" SEAL WEAR DETAIL

A (2:1)

				PROJECTION: 	SCALE: 1:2 MATERIAL: INTERFACE CONTROL DRAWING
				DATE: 01/29/14 NAME: N. Reyna ENGR. 01/29/14 APPD. S. Stasi	TITLE: DEUBLIN UNION
B	SEE ECO	053936	10/19	NR	NO. BC-56754-48-62 SHEET A2
A	ADDED SYPHON DETAIL	043284	07/17	NR	
ISSUE	MODIFICATION	ECO	DATE	SIGN	UNLESS SPECIFICALLY TOLERANCED, ALL DIMENSIONS ARE CONSIDERED REFERENCE