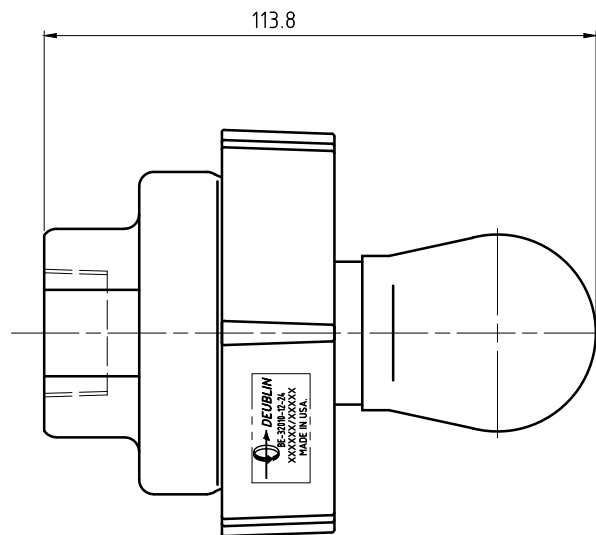
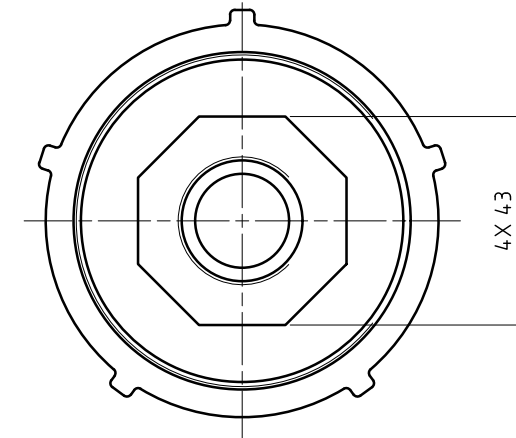
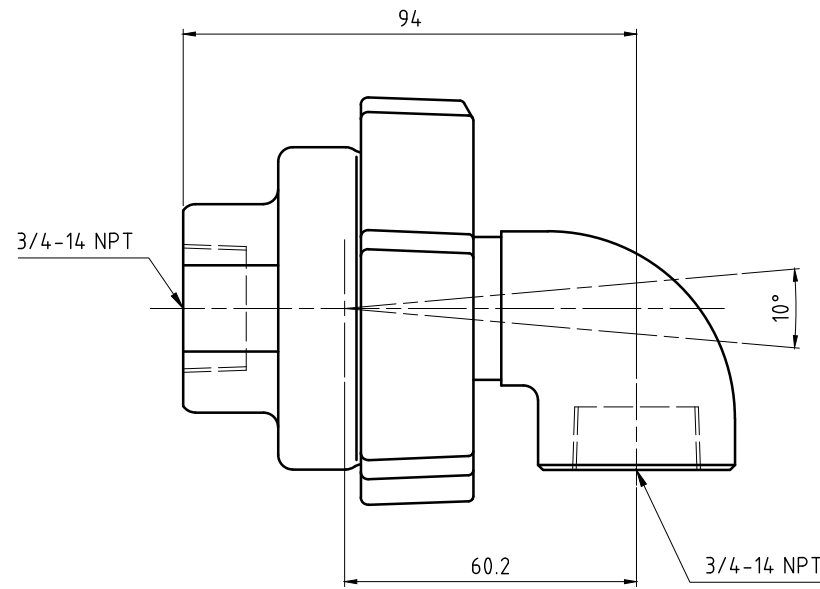
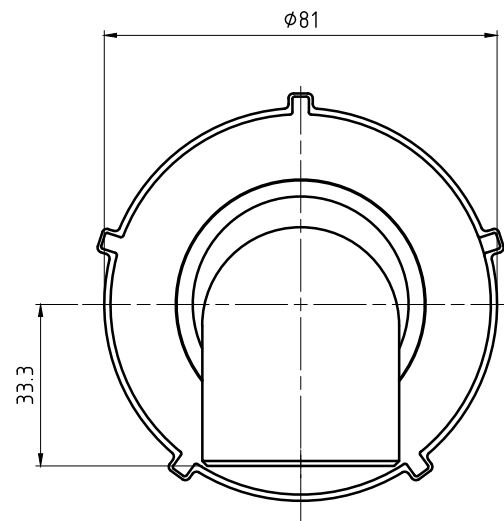




CONFIDENTIAL
 THIS DOCUMENT CONTAINS CONFIDENTIAL AND PROPRIETARY
 INFORMATION OF DEUBLIN COMPANY. COPYING, USE,
 TRANSMISSION, DISTRIBUTION, AND DISCLOSURE ARE SUBJECT
 TO THE TERMS AND CONDITIONS CONTAINED IN YOUR
 AGREEMENT WITH DEUBLIN COMPANY. ALL RIGHTS RESERVED.



		PROJECTION: 	SCALE: 1:1
			MATERIAL: INTERFACE CONTROL DRAWING
	DATE	NAME	TITLE: SWIVEL SELF-ALIGNING DOUBLE 3/4" NPT
	DRN. 07/17/15	N. Reyna	
	ENGR. 07/17/15	T. Wilson	
	APPD.		
UNLESS SPECIFICALLY TOLERANCED, ALL DIMENSIONS ARE CONSIDERED REFERENCE			NO. BE-32007-12-24
ISSUE	MODIFICATION	ECO	DATE
			SIGN
			SHEET A3