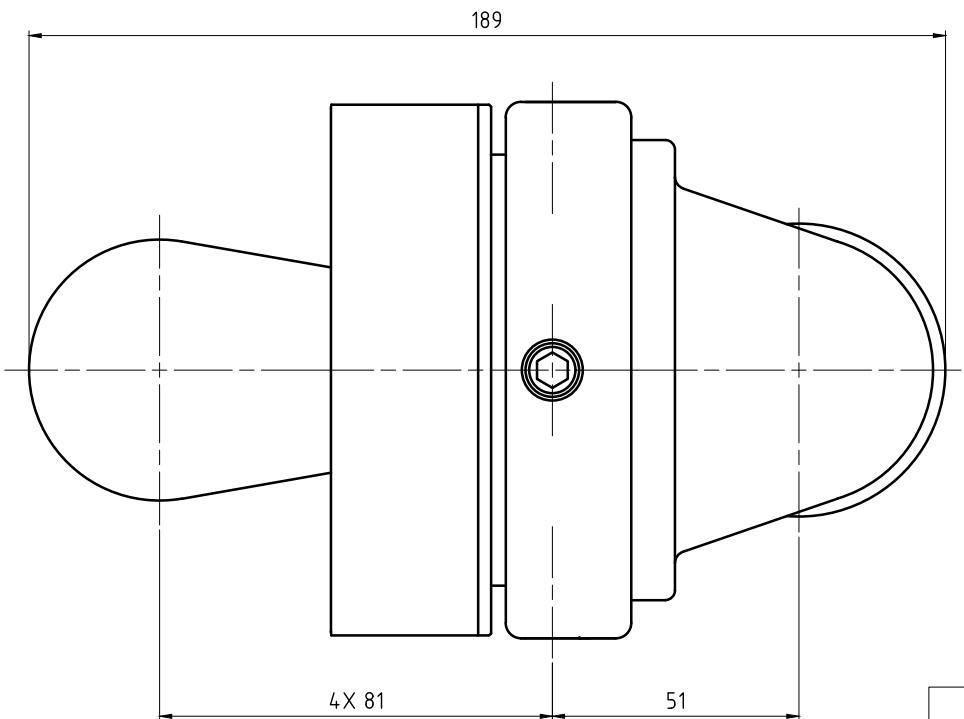
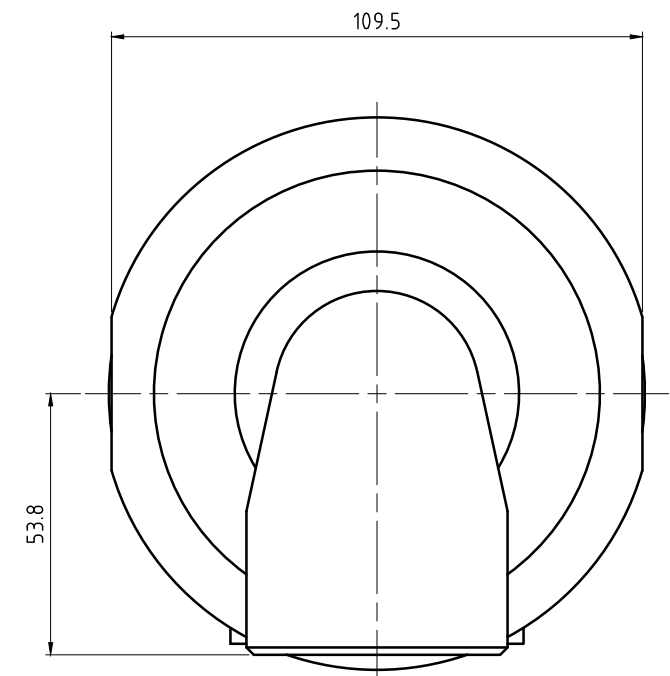
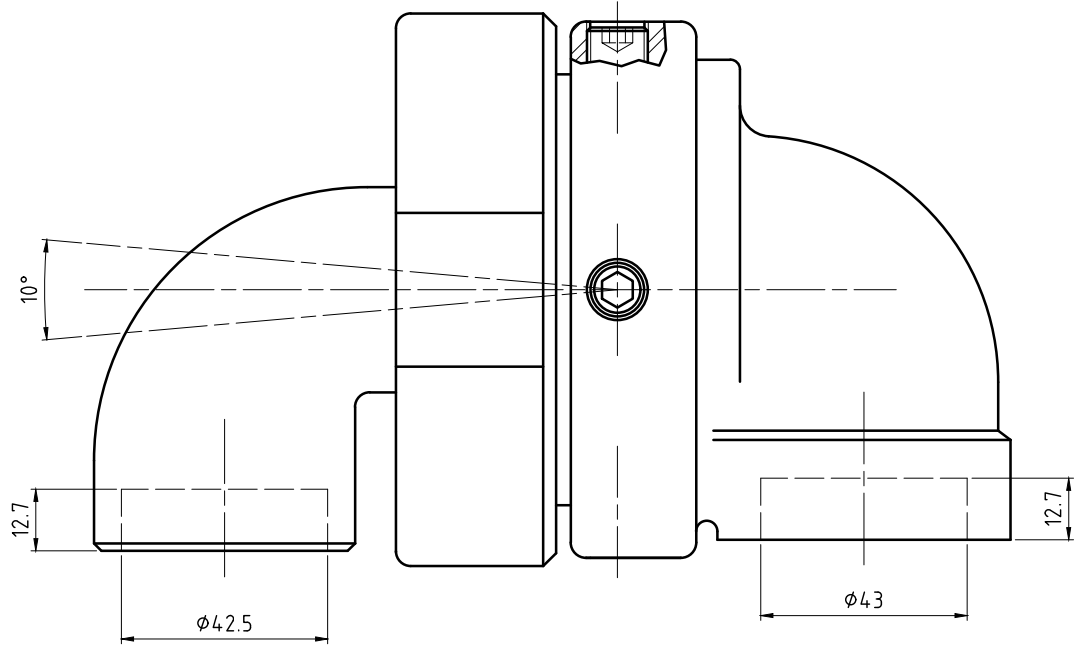
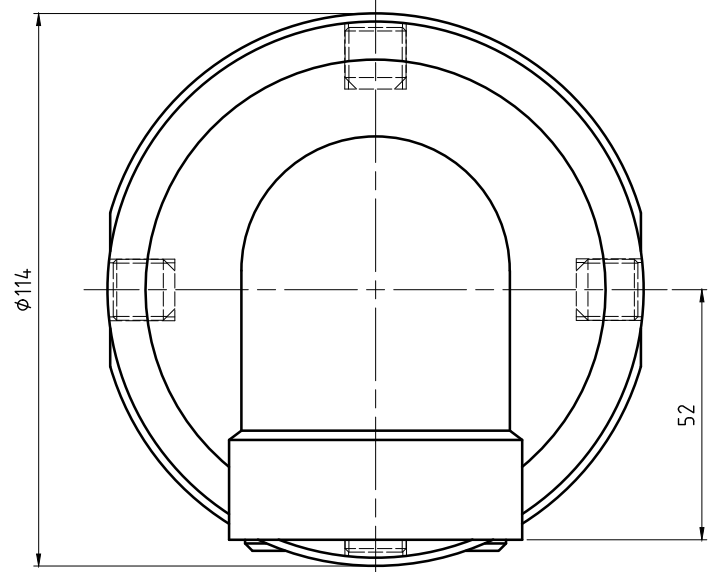




CONFIDENTIAL
 THIS DOCUMENT CONTAINS CONFIDENTIAL AND PROPRIETARY
 INFORMATION OF DEUBLIN COMPANY. COPYING, USE,
 TRANSMISSION, DISTRIBUTION, AND DISCLOSURE ARE SUBJECT
 TO THE TERMS AND CONDITIONS CONTAINED IN YOUR
 AGREEMENT WITH DEUBLIN COMPANY. ALL RIGHTS RESERVED.



		PROJECTION: 	SCALE: 1:1
			MATERIAL: INTERFACE CONTROL DRAWING
		DATE: 06/28/16	NAME: N. Reyna
		ENGR: 06/28/16	L. Freed
		APPD:	
TITLE: SELF ALIGNING JOINT, 1 1/4" SIZE 600 SERIES, STYLE 7AS-8BS			NO. (A) BE-43010-20-41
A	REVISED TITLE	038345	07/16
ISSUE	MODIFICATION	ECO	DATE
		NR	SIGN
UNLESS SPECIFICALLY TOLERANCED, ALL DIMENSIONS ARE CONSIDERED REFERENCE			
			SHEET A2