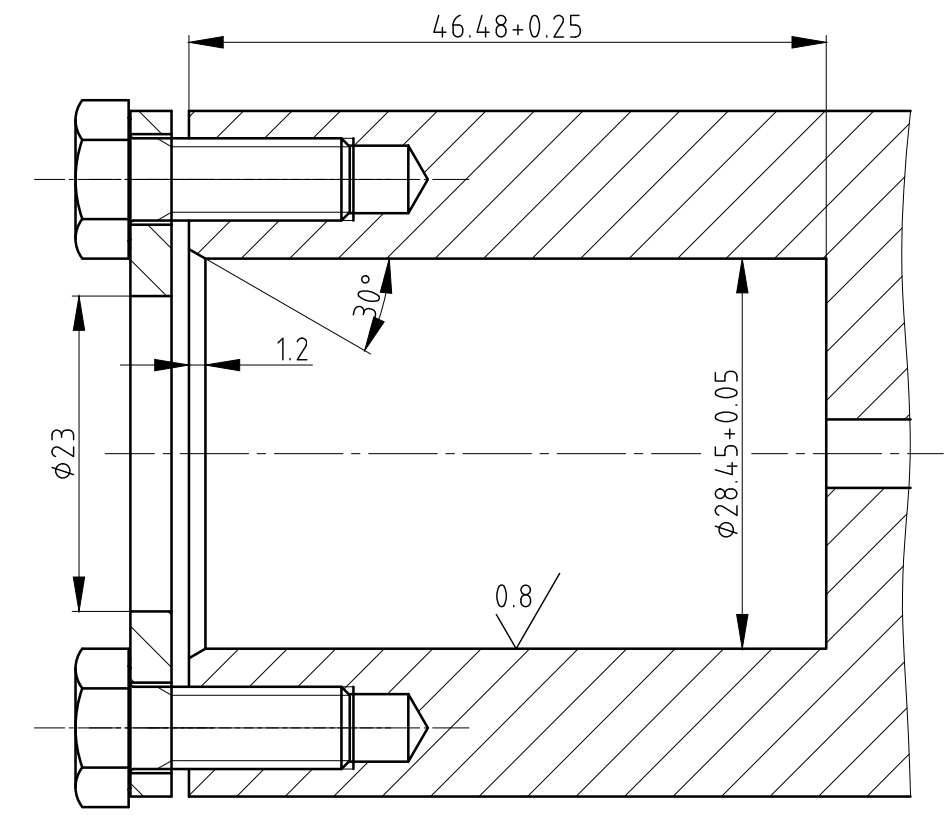
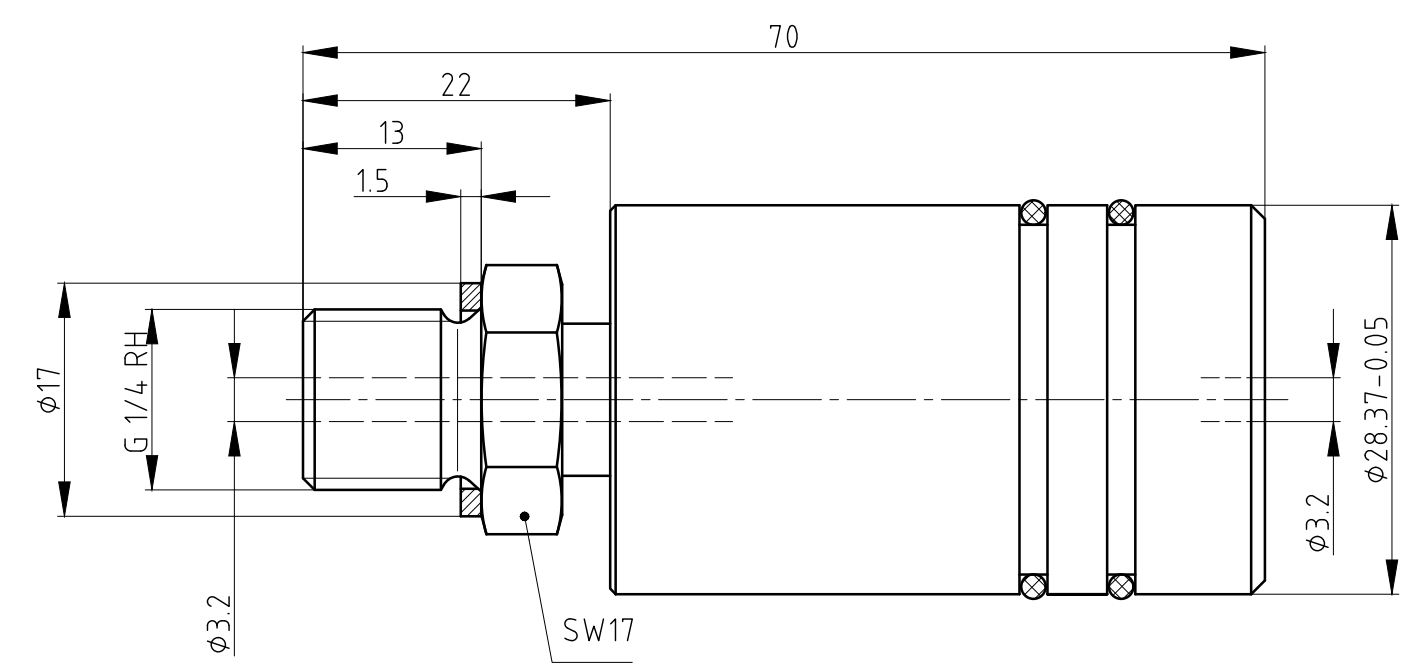


CONFIDENTIAL
 The reproduction, distribution and utilization of this document as well as the communication of its contents to others without express authorization is prohibited. Offenders will be held liable for the payment of damages. All rights reserved in the event of the grant of a patent, utility model or design.

© **CUSTOMER INTERFACE**



OPERATING DATA / Betriebsdaten		
MEDIA/Medium	air / hydraulik	Luft/Hydraulik
p max.	150/1000 PSI	10/70 bar
n max.	3500 RPM	3500 1/min
t max.	250 °F	120 °C

		PROJECTION:		SCALE: 2:1	MATERIAL: INTERFACE CONTROL DRAWING
		DATE		NAME	
		DRN. 04.10.2001	V. Wiege	DEUBLIN Einführung	
		ENGR. 04.10.2001	E. Grimm		
C	WAS Wellenende des Kunden	054624	01/20	RM	APPD.
B	ADDED FAI LAYER	000708		JK	
a	war 11	02266		Huhn	
ISSUE	MODIFICATION	ECO	DATE	SIGN	
UNLESS SPECIFICALLY TOLERANCED, ALL DIMENSIONS ARE CONSIDERED REFERENCE					NO. 1005-000-049
					SHEET A3