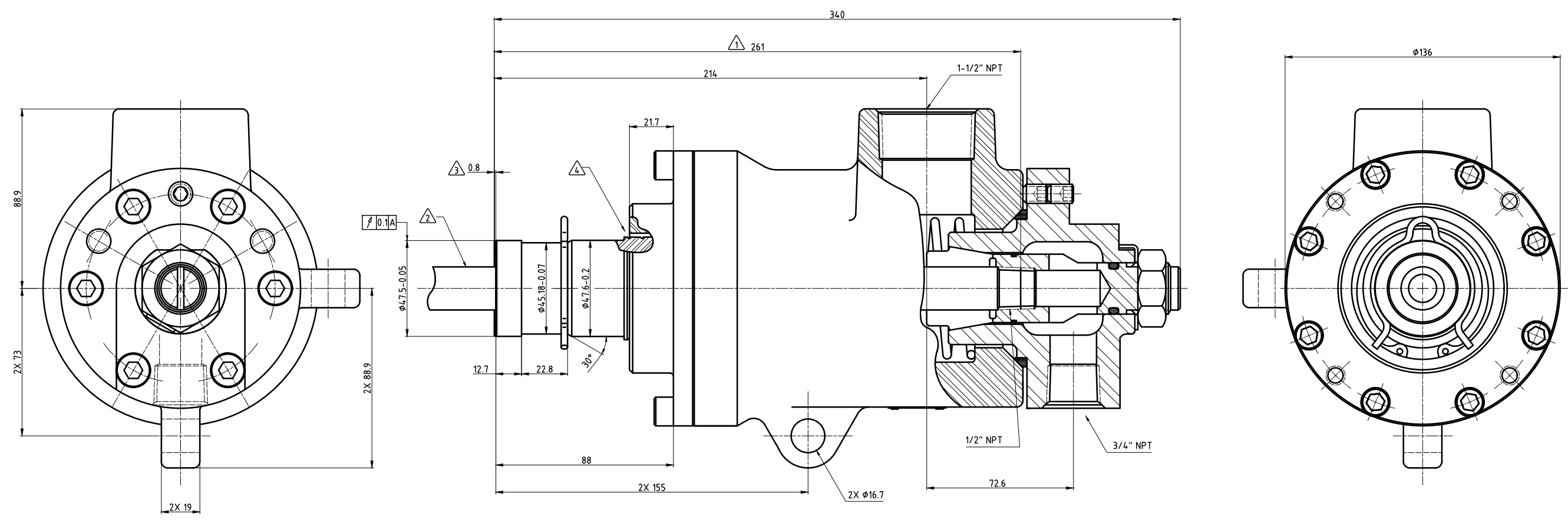


CONFIDENTIAL
 THIS DOCUMENT CONTAINS CONFIDENTIAL AND PROPRIETARY INFORMATION OF DEUBLIN COMPANY. COPYING, REPRODUCTION, DISTRIBUTION, AND DISCLOSURE ARE STRICTLY PROHIBITED. SEE AGREEMENT TO THE TERMS AND CONDITIONS CONTAINED IN YOUR AGREEMENT WITH DEUBLIN COMPANY. ALL RIGHTS RESERVED.

- NOTES:
 △ - PIPE LENGTH.
 △ - PIPE SUPPLIED BY CUSTOMER. PIPE SIZE: 1/2" SCHEDULE 80.
 △ - GASKET THICKNESS.
 △ - WEAR INDICATOR MARKS.
 5 - CONTACT DEUBLIN OR VISIT WWW.DEUBLIN.COM FOR HPS INSTALLATION INSTRUCTIONS.



DEUBLIN UNION
HPS SERIES
 HIGH PRESSURE STEAM SERIES

OPERATING DATA		
MEDIA		HIGH PRESSURE STEAM
PRESSURE	MAXIMUM	17 bar
	MINIMUM	5 °C
TEMPERATURE	MAXIMUM	200 °C
	MINIMUM	5 °C
SPEED	MAXIMUM	400 min ⁻¹
DRY RUN		NO

	PROJECTION:	SCALE: 1:1	TITLE: INTERFACE CONTROL DRAWING DEUBLIN HPS UNION
	DATE: 04/13/2010 NAME: galindolm DRN: ENGR: APPD:	MATERIAL:	
ECD:	DATE:	SIGN:	SHEET: A1