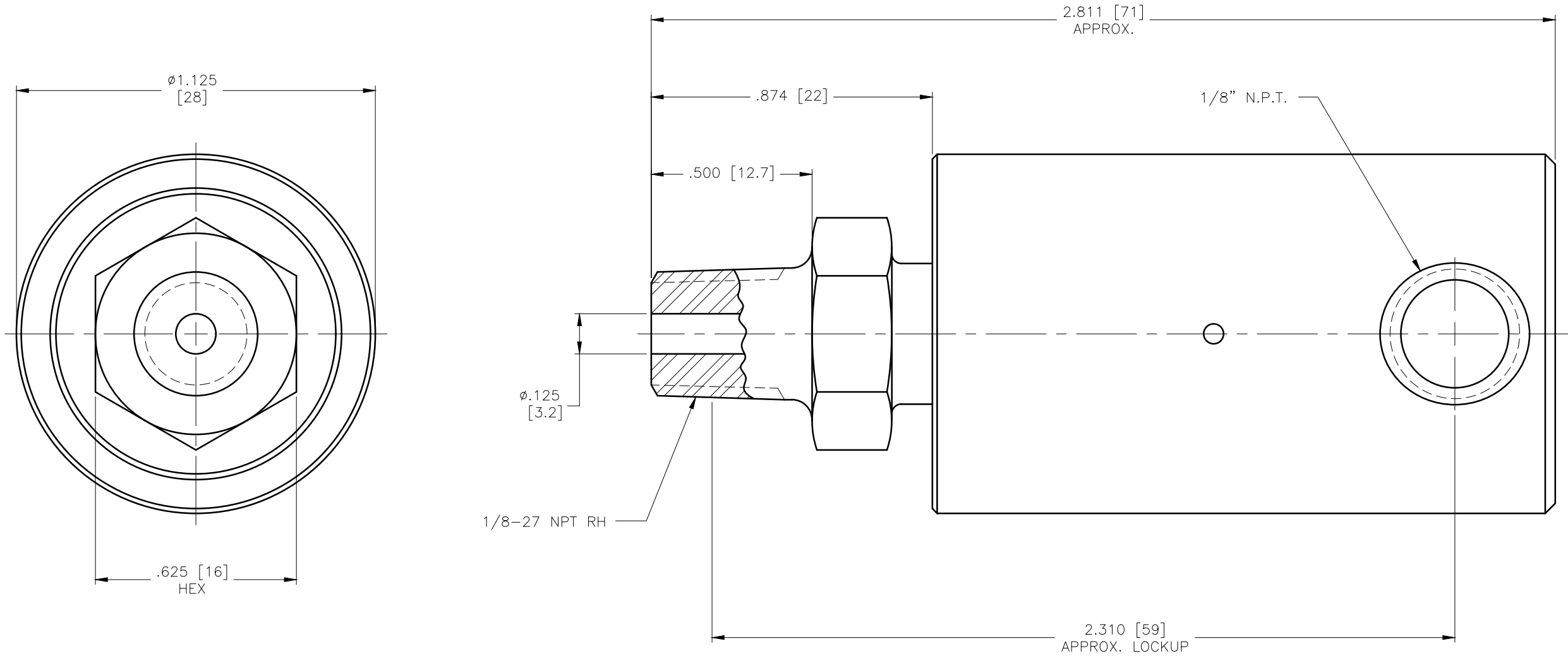


NOTES:

1 - WHEN ORDERING FROM DEUBLIN USE PART NUMBER: 1005-020-038.



| OPERATING DATA | | |
|-------------------|-----------------|----------|
| MEDIA | AIR & HYDRAULIC | |
| MAX AIR PRESSURE | 150 PSI | 10 bar |
| MAX VACUUM | 28" Hg | 6.7 kPa |
| MAX HYD. PRESSURE | 1000 PSI | 70 bar |
| MAX SPEED | 1500 RPM | 1500/min |
| MAX TEMPERATURE | 250°F | 121°C |

CONFIDENTIAL
 THIS DOCUMENT CONTAINS PROPRIETARY INFORMATION AND IS NOT TO BE TRANSMITTED, REPRODUCED, USED OR DISCLOSED TO ANYONE WITHOUT THE WRITTEN PERMISSION OF THE DEUBLIN COMPANY.

| LET. | REVISION | ECO | DATE | SIGN |
|------|------------------------------|--------|-------|------|
| B | ADDED FAI LAYER | 000708 | 04/08 | JK |
| A | MAX. SPEED WAS 3500 IN ERROR | | 02/03 | LG |

EQUIPMENT REF:

 ASSY/TEST FIXTURES REQUIRED:

| SCALE | 4:1 | DWG SIZE | C |
|-------|-----|----------|---|
| DRN | RM | 10/21/02 | |
| ENGR | RC | 07/29/02 | |
| APPD | RC | 07/29/02 | |

UNLESS OTHERWISE SPECIFIED TOLERANCES $\pm .010$. DIMENSIONS IN [] ARE IN MILLIMETERS.

DEUBLIN COMPANY
 WAUKEGAN, ILLINOIS, U.S.A.

TITLE: INTERFACE CONTROL DRAWING FOR UNION 1005-020-038

NO. 1005-020-038-IC C.A.D. DRAWING