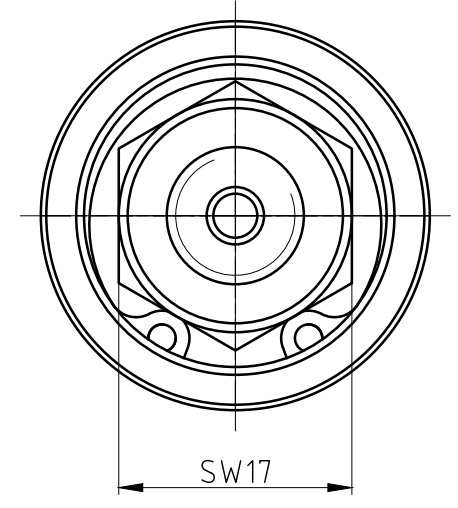
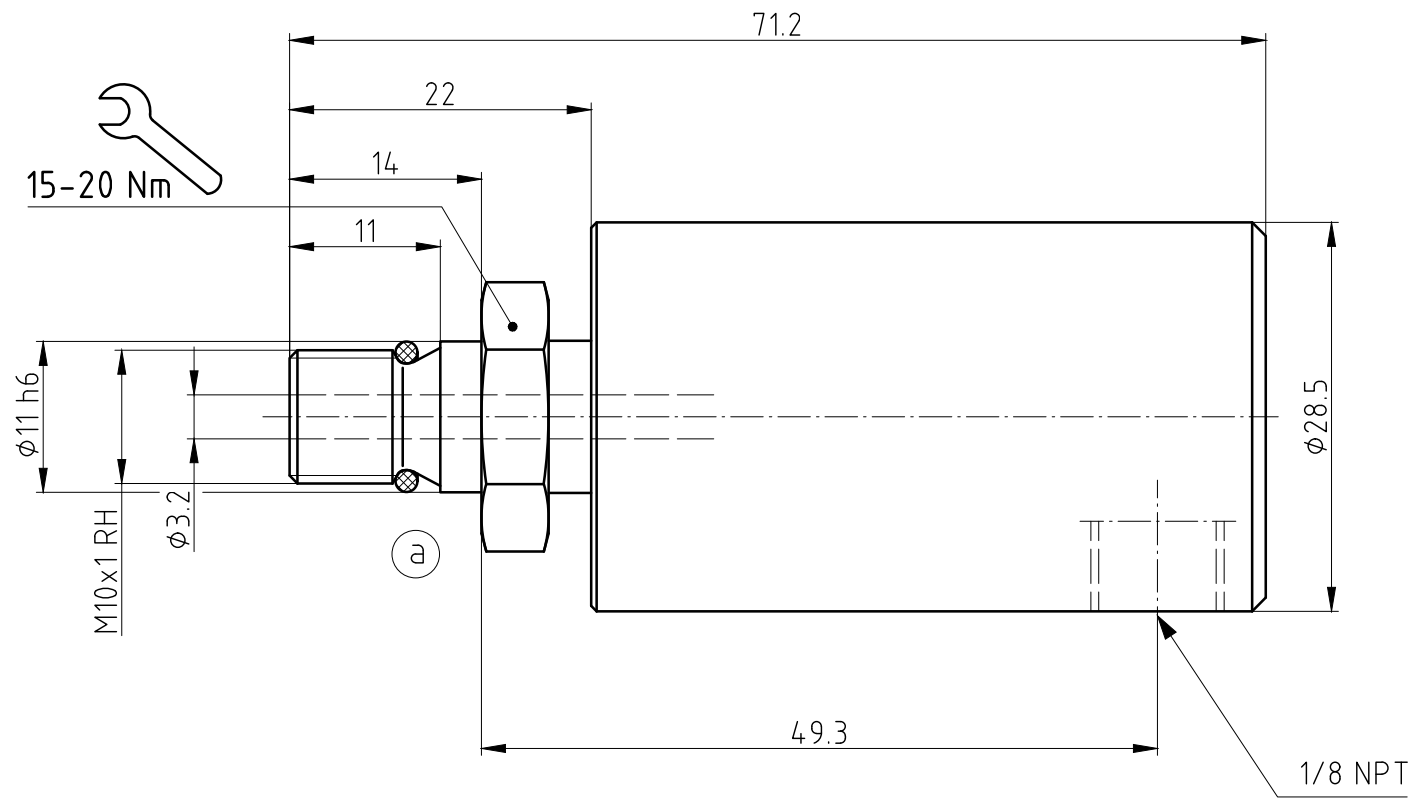
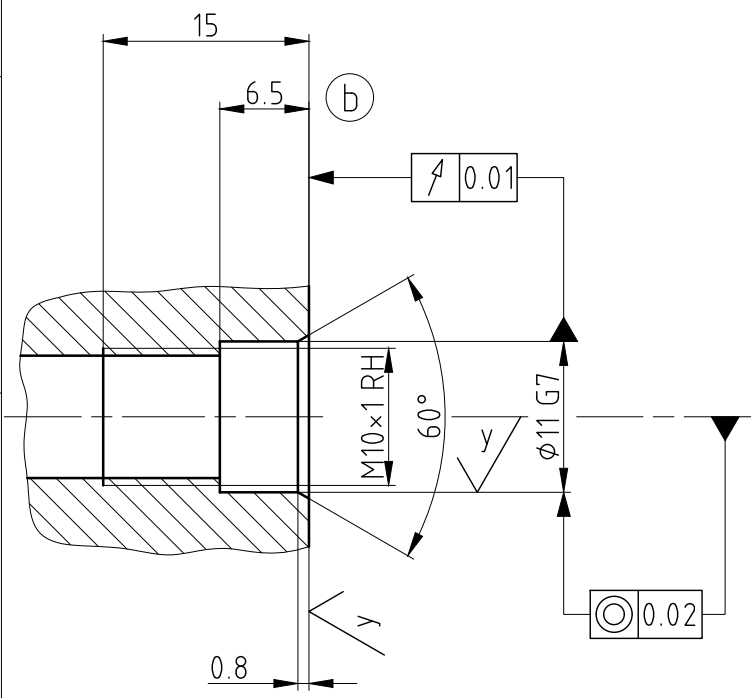


CONFIDENTIAL
 The reproduction, distribution and utilization of this document as well as the communication of its contents to others without express authorization is prohibited. Offenders will be held liable for the payment of damages. All rights reserved in the event of the grant of a patent, utility model or design.

ϕ11	h6	0	11.000
		-0.011	10.989
ϕ11	G7	+0.024	11.024
		+0.006	11.006
Maß	Toleranz		

Ⓒ CUSTOMER INTERFACE



Ⓐ

OPERATING DATA / Betriebsdaten

MEDIA/Medium	HYDRAULIC OIL / COMPRESSED AIR Hydrauliköl / Druckluft	
p max. HYDRAULIC OIL Hydrauliköl	1000 PSI	70 bar
p max. COMPRESSED AIR Druckluft	150 PSI	10 bar
VACUUM/Vakuum max.	28" Hg	6,7 kPa
t max.	250 °F	120 °C
n max.	3500 RPM	3500 1/min

√W	√Rz= 63
√X	√Rz= 25
√Y	√Rz= 6.3
√Z	√Rz= 1

PROJECTION:

SCALE: 2:1 Z:\ \UNIONS\

MATERIAL: INTERFACE CONTROL DRAWING

TITLE: DEUBLIN ROTATING UNION
DEUBLIN Drehdurchführung

NO. 1005-020-045 SHEET A3

DATE	NAME
DRN. 26.03.98	CH. Wolf
ENGR. 26.03.98	Ch. Wolf

c	Was Wellenende des Kunden	054624	01/20	RM	APPD.
b	überarbeitet	04238	09.12.04	Schmid	
a	O-Ring hinzu	03023	17.02.03	WRS	

UNLESS SPECIFICALLY TOLERANCED, ALL DIMENSIONS ARE CONSIDERED REFERENCE