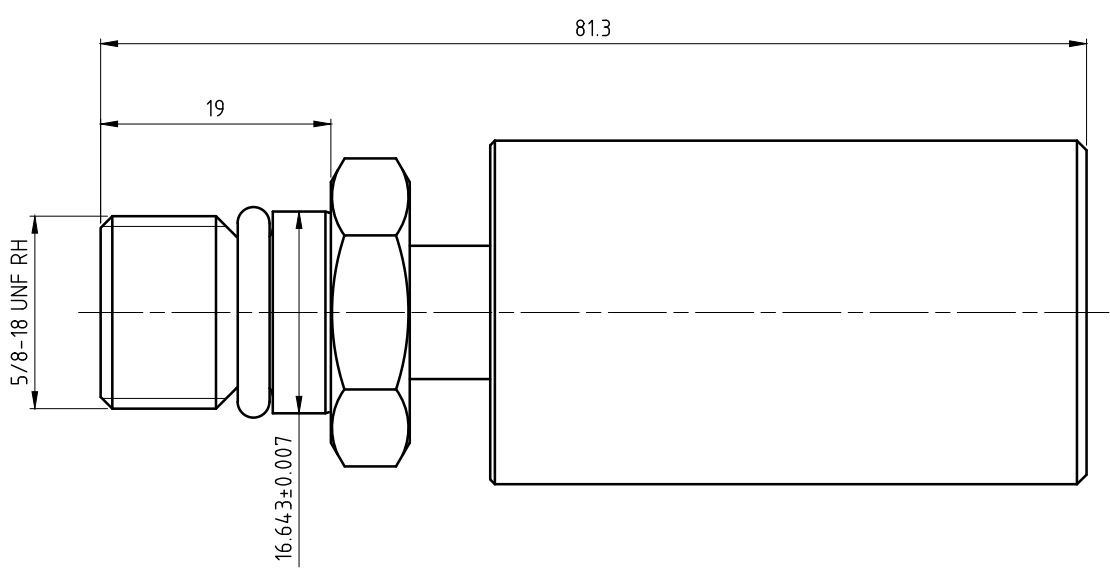
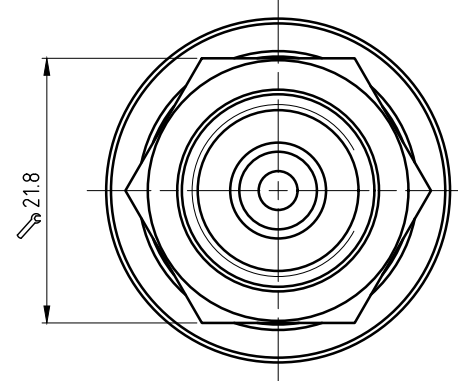
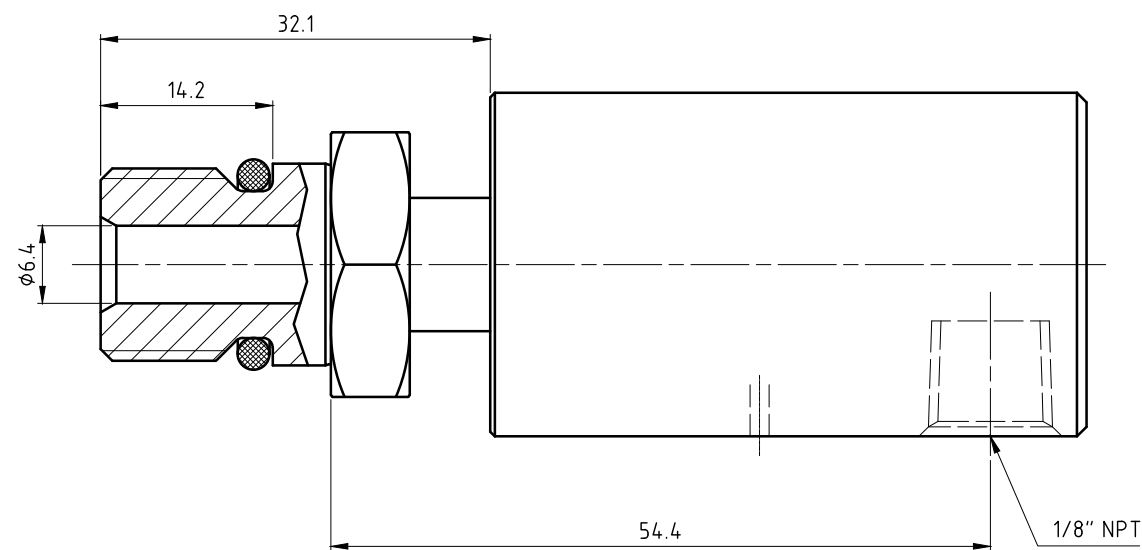
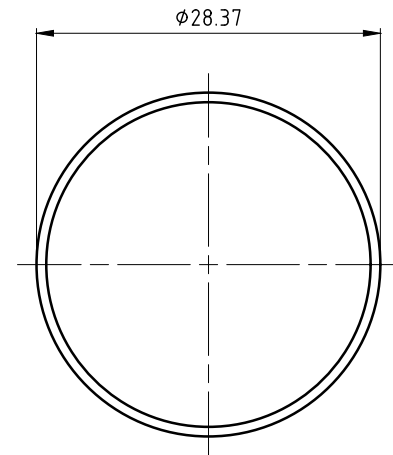
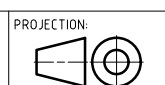


CONFIDENTIAL
 THIS DOCUMENT CONTAINS CONFIDENTIAL AND PROPRIETARY
 INFORMATION OF DEUBLIN COMPANY. COPYING, USE,
 TRANSMISSION, DISTRIBUTION, AND DISCLOSURE ARE SUBJECT
 TO THE TERMS AND CONDITIONS CONTAINED IN YOUR
 AGREEMENT WITH DEUBLIN COMPANY. ALL RIGHTS RESERVED.



OPERATING DATA		
MEDIA	HYDRAULIC OIL/COMPRESSED AIR	
PRESSURE OIL MAX.	1000 PSI	70 bar
PRESSURE AIR MAX.	150 PSI	10 bar
SPEED MAX.	3500 RPM	3500 min
TEMPERATURE MAX.	250 °F	121 °C



SCALE: 2.5:1
 MATERIAL: INTERFACE CONTROL DRAWING

DATE	NAME	TITLE
DRN. 06/14/15	N. Reyna	DEUBLIN UNION
ENGR. 06/14/15	T. Wilson	
APPD.		

NO. 1005-020-061
 SHEET A2

ISSUE	MODIFICATION	ECO	DATE	SIGN

UNLESS SPECIFICALLY TOLERANCED, ALL DIMENSIONS ARE CONSIDERED REFERENCE