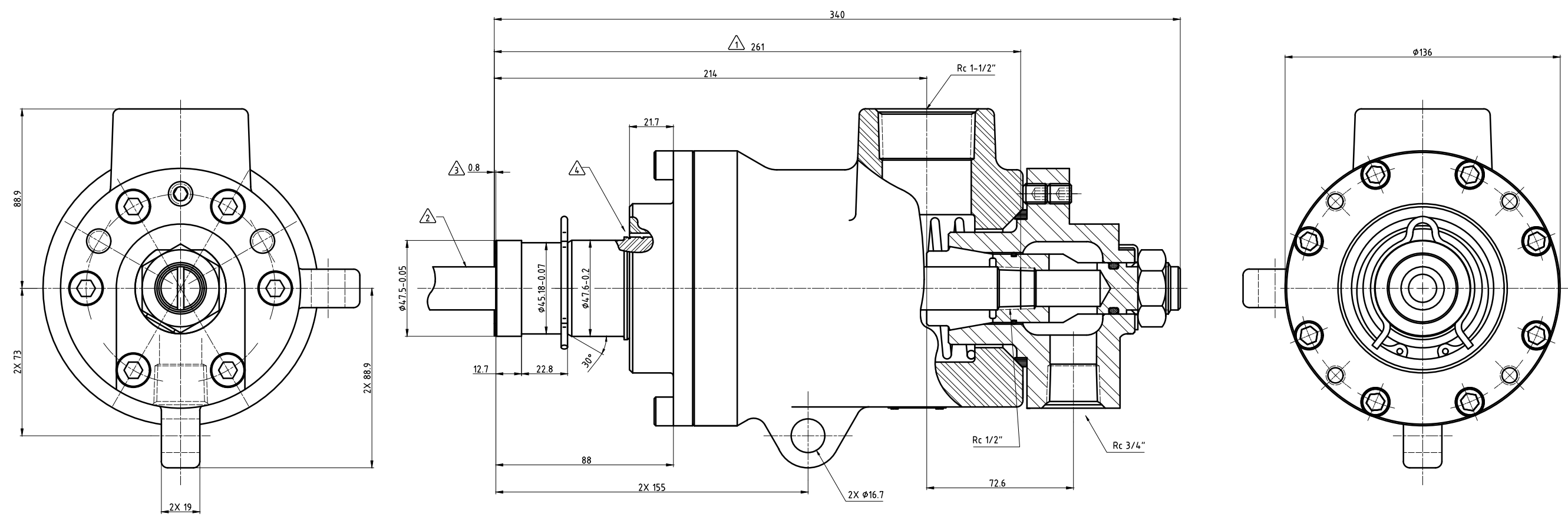


CONFIDENTIAL
 THIS DOCUMENT CONTAINS CONFIDENTIAL AND PROPRIETARY INFORMATION OF DEUBLIN COMPANY. COPYING, REPRODUCTION, DISTRIBUTION, AND DISCLOSURE ARE STRICTLY PROHIBITED. TO THE TERMS AND CONDITIONS CONTAINED IN YOUR AGREEMENT WITH DEUBLIN COMPANY. ALL RIGHTS RESERVED.

- NOTES:
 △ - PIPE LENGTH.
 △ - PIPE SUPPLIED BY CUSTOMER. PIPE SIZE: 1/2" SCHEDULE 80.
 △ - GASKET THICKNESS.
 △ - WEAR INDICATOR MARKS.
 5 - CONTACT DEUBLIN OR VISIT WWW.DEUBLIN.COM FOR HPS INSTALLATION INSTRUCTIONS.



DEUBLIN UNION
HPS SERIES
 HIGH PRESSURE STEAM SERIES

| OPERATING DATA | | |
|----------------|---------|-----------------------|
| MEDIA | | HIGH PRESSURE STEAM |
| PRESSURE | MAXIMUM | 17 bar |
| | MINIMUM | 5 °C |
| TEMPERATURE | MAXIMUM | 200 °C |
| | MINIMUM | 5 °C |
| SPEED | MAXIMUM | 400 min ⁻¹ |
| DRY RUN | | NO |

| | | | |
|--|---|------------|---|
| | PROJECTION: | SCALE: 1:1 | TITLE: INTERFACE CONTROL DRAWING DEUBLIN HPS UNION |
| | DATE: 04/13/2010 NAME: galindolm DRN: ENGR: APPD: | MATERIAL: | |
| <small>UNLESS SPECIFICALLY TOLERANCED, ALL DIMENSIONS ARE CONSIDERED REFERENCE</small> | | | SHEET A1 |