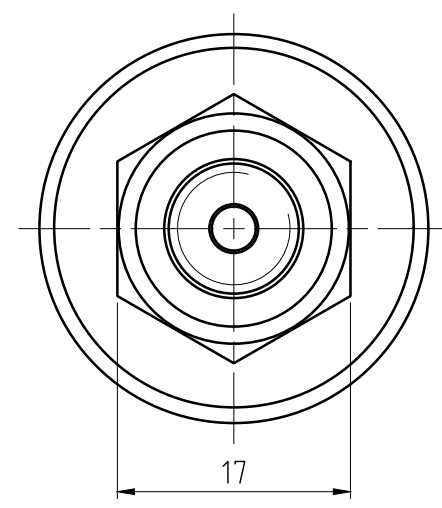
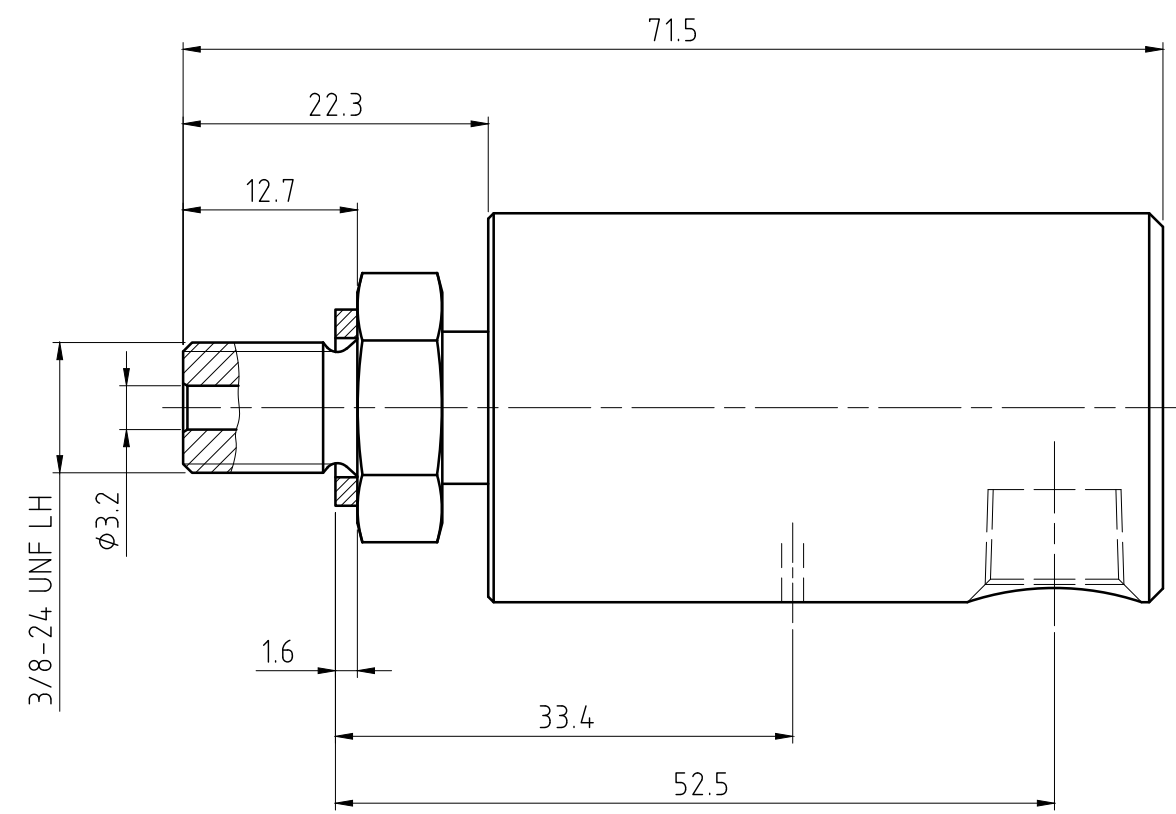
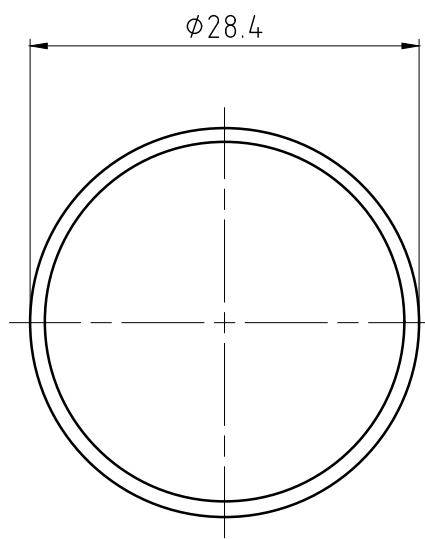


CONFIDENTIAL
 THIS DOCUMENT CONTAINS CONFIDENTIAL AND PROPRIETARY
 INFORMATION OF DEUBLIN COMPANY. COPYING, USE,
 TRANSMISSION, DISTRIBUTION, AND DISCLOSURE ARE SUBJECT
 TO THE TERMS AND CONDITIONS CONTAINED IN YOUR
 AGREEMENT WITH DEUBLIN COMPANY. ALL RIGHTS RESERVED.



OPERATING DATA	
MEDIA	BRAKE FLUID
PRESSURE MAX.	70 bar
SPEED MAX.	3500 min ⁻¹
TEMPERATURE MAX.	120 °C
DRY RUN (WITHOUT ANY MEDIA)	NO

		PROJECTION:	SCALE: 2:1				
			MATERIAL: INTERFACE CONTROL DRAWING				
		DATE: 03/28/12 NAME: CD	TITLE: DEUBLIN ROTATING UNION				
		ENGR. 03/28/12 NAME: CW					
		APPD.					
A ISSUE	REMOVED NOTE 1 MODIFICATION	018949 ECO	07/12 DATE	NR SIGN	UNLESS SPECIFICALLY TOLERANCED, ALL DIMENSIONS ARE CONSIDERED REFERENCE	NO. 1005-082-039	SHEET A3