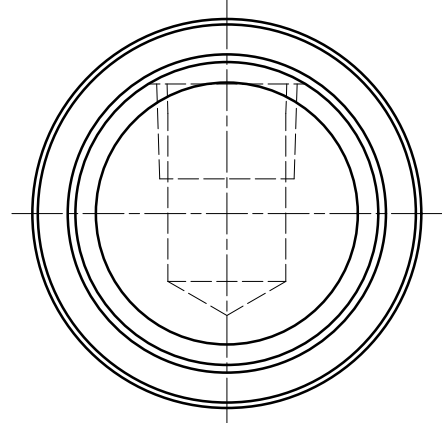
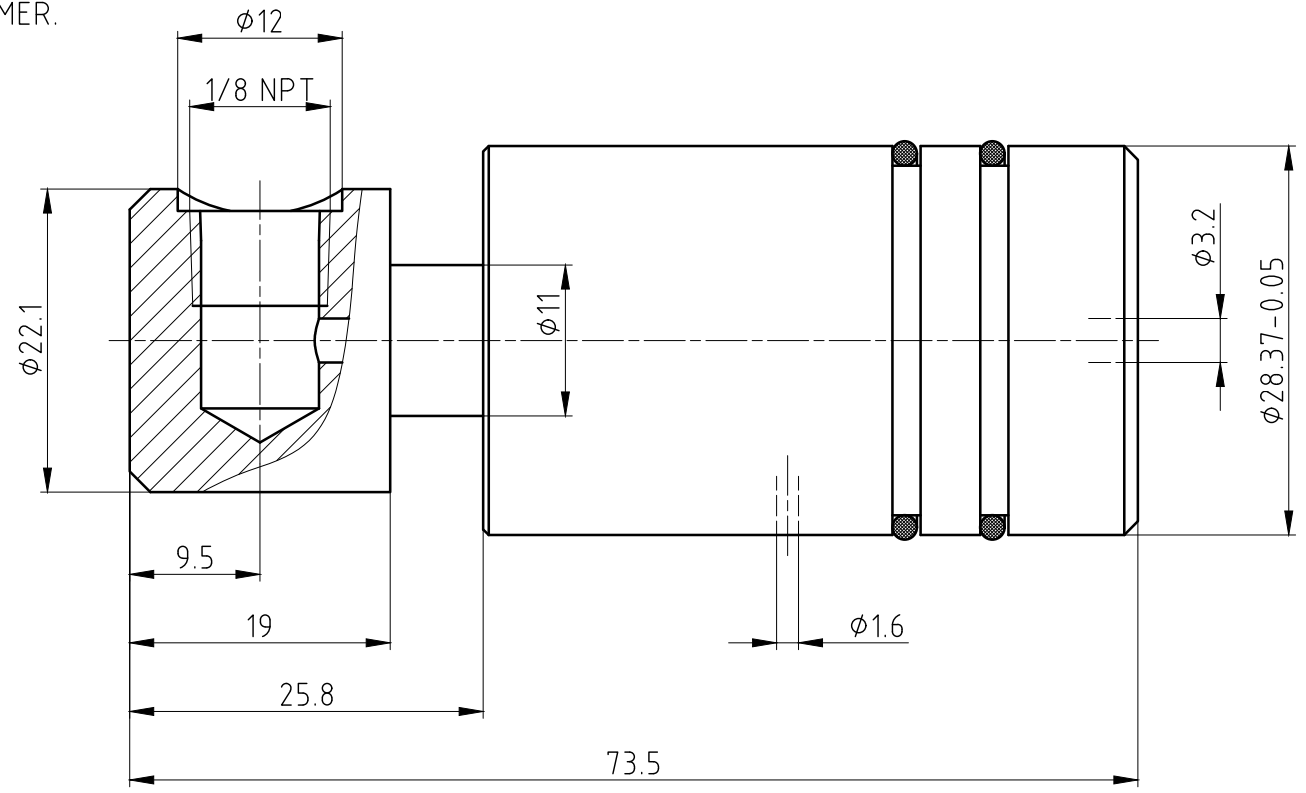


CONFIDENTIAL
 THIS DOCUMENT CONTAINS CONFIDENTIAL AND PROPRIETARY
 INFORMATION OF DEUBLIN COMPANY. COPYING, USE,
 TRANSMISSION, DISTRIBUTION, AND DISCLOSURE ARE SUBJECT
 TO THE TERMS AND CONDITIONS CONTAINED IN YOUR
 AGREEMENT WITH DEUBLIN COMPANY. ALL RIGHTS RESERVED.

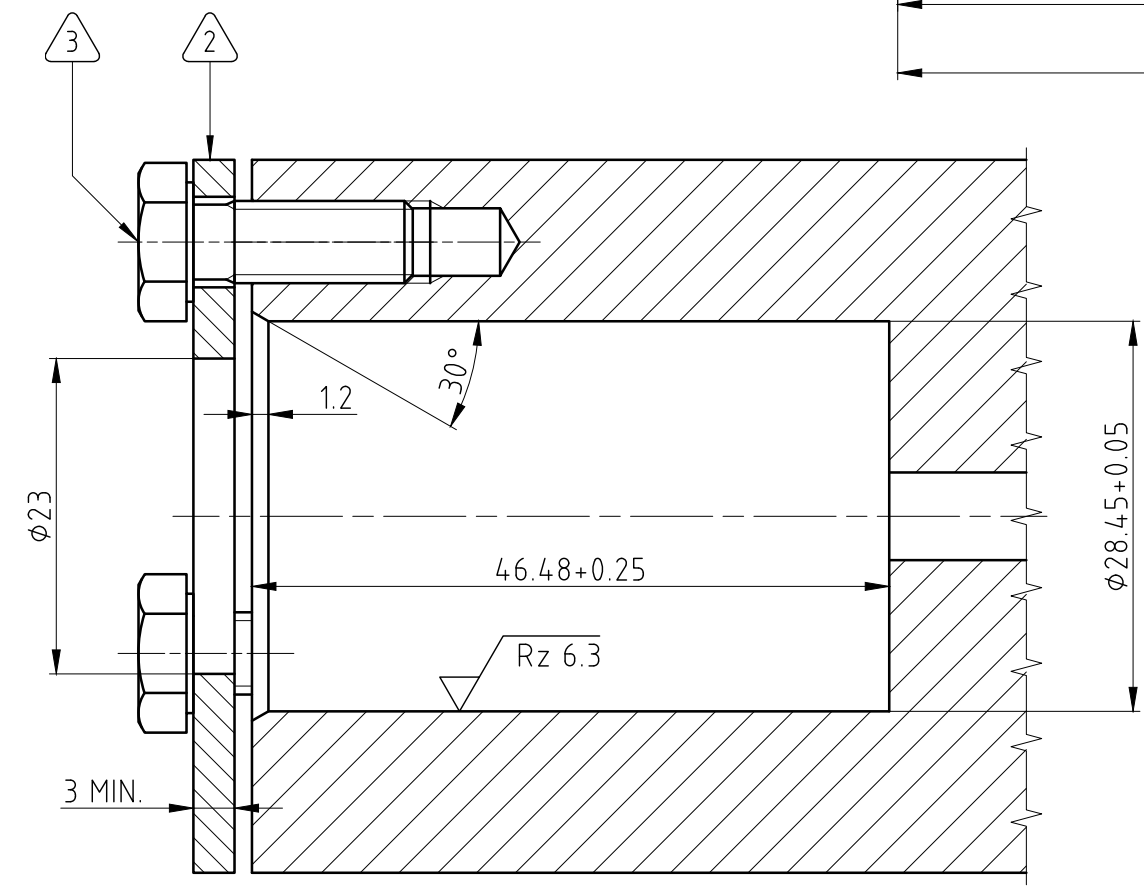
NOTES:

1 - CONTACT DEUBLIN OR VISIT WWW.DEUBLIN.COM
 FOR INSTRUCTION MANUAL: 040-555.

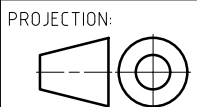
- 2 - RETAINING PLATE (STEEL) SUPPLIED BY CUSTOMER.
- 3 - 3X SCREW M6 SUPPLIED BY CUSTOMER.



CUSTOMER INTERFACE



OPERATING DATA			
MEDIA	AIR	VACUUM	HYDRAULIC OIL
PRESSURE MAX.	10 bar	7 kPa	70 bar
SPEED MAX.	3500 min ⁻¹	3500 min ⁻¹	3500 min ⁻¹
TEMPERATURE MAX.	120 °C	120 °C	120 °C
DRY RUN	NO	NO	NO



PROJECTION:
 SCALE: 2:1
 MATERIAL: INTERFACE CONTROL DRAWING

ISSUE	MODIFICATION	ECO	DATE	SIGN

DATE: 10.07.2019 NAME: FD
 ENGR. 10.07.2019 MKi
 APPD.
 TITLE: DEUBLIN ROTATING UNION
 DEUBLIN Drehdurchführung
 NO. 1005-088-001
 SHEET A3

UNLESS SPECIFICALLY TOLERANCED, ALL DIMENSIONS ARE CONSIDERED REFERENCE