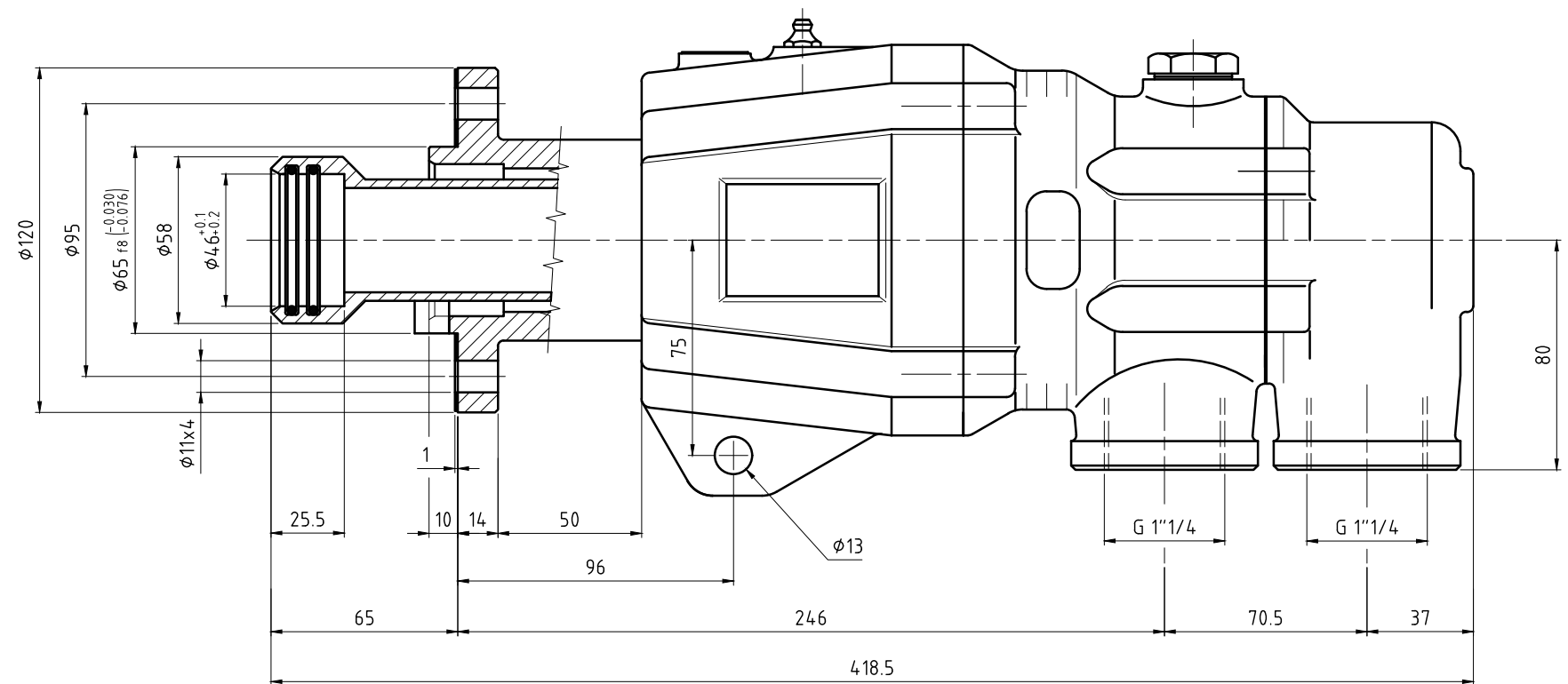
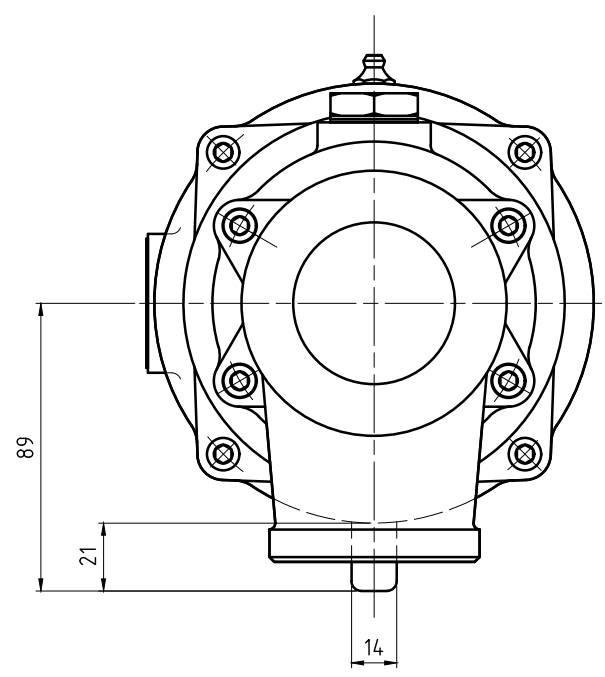


CONFIDENTIAL
 THIS DOCUMENT CONTAINS CONFIDENTIAL AND PROPRIETARY
 INFORMATION OF DEUBLIN COMPANY. COPYING, USE,
 TRANSMISSION, DISTRIBUTION, AND DISCLOSURE ARE SUBJECT
 TO THE TERMS AND CONDITIONS CONTAINED IN YOUR
 AGREEMENT WITH DEUBLIN COMPANY. ALL RIGHTS RESERVED.



| | | | | | | |
|-------|--------------|--------------------------------|---|------|--|-------------|
| | | PROJECTION: | SCALE: 1:1.5 MATERIAL: INTERFACE CONTROL DRAWING | | | |
| | | DATE: 06/07/2010 NAME: A.S. | TITLE: ROTATING UNION F50 | | | |
| | | ENGR. 07/2010 NAME: A.T. | | | | |
| | | APPD. | | | | |
| | | NO. F50-010-206709-IC | | | | |
| ISSUE | MODIFICATION | ECO | DATE | SIGN | UNLESS SPECIFICALLY TOLERANCED, ALL DIMENSIONS ARE CONSIDERED REFERENCE | SHEET A2 |