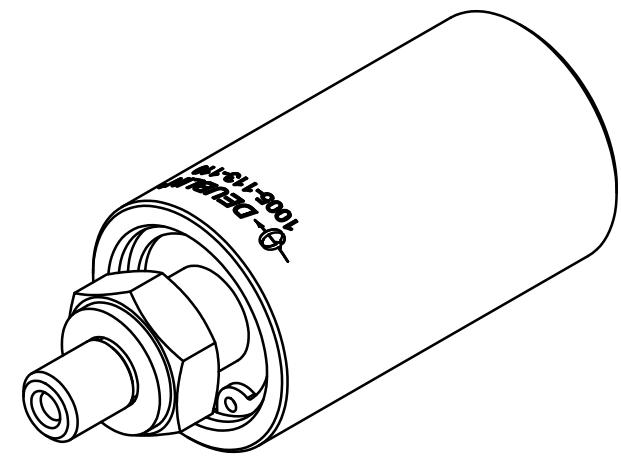
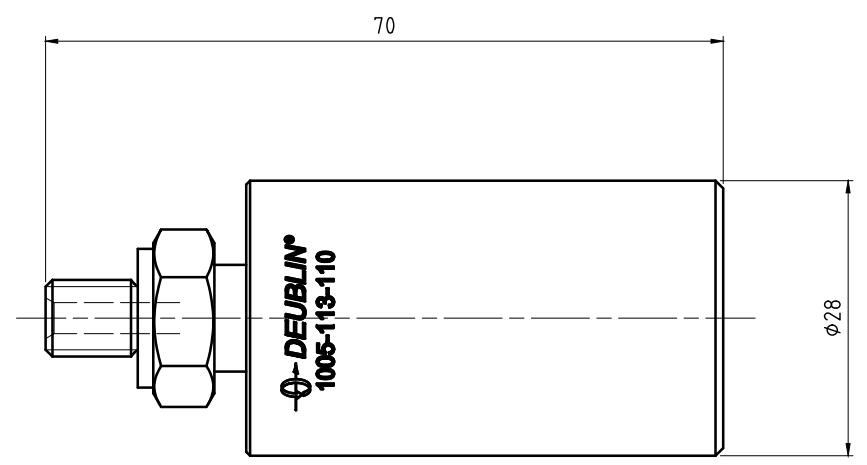
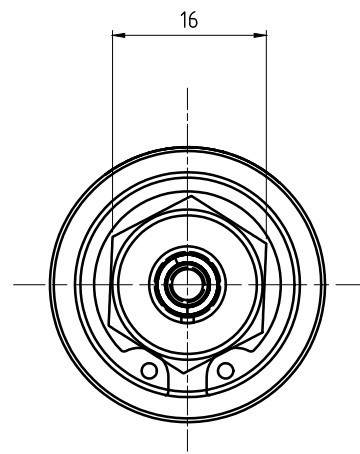
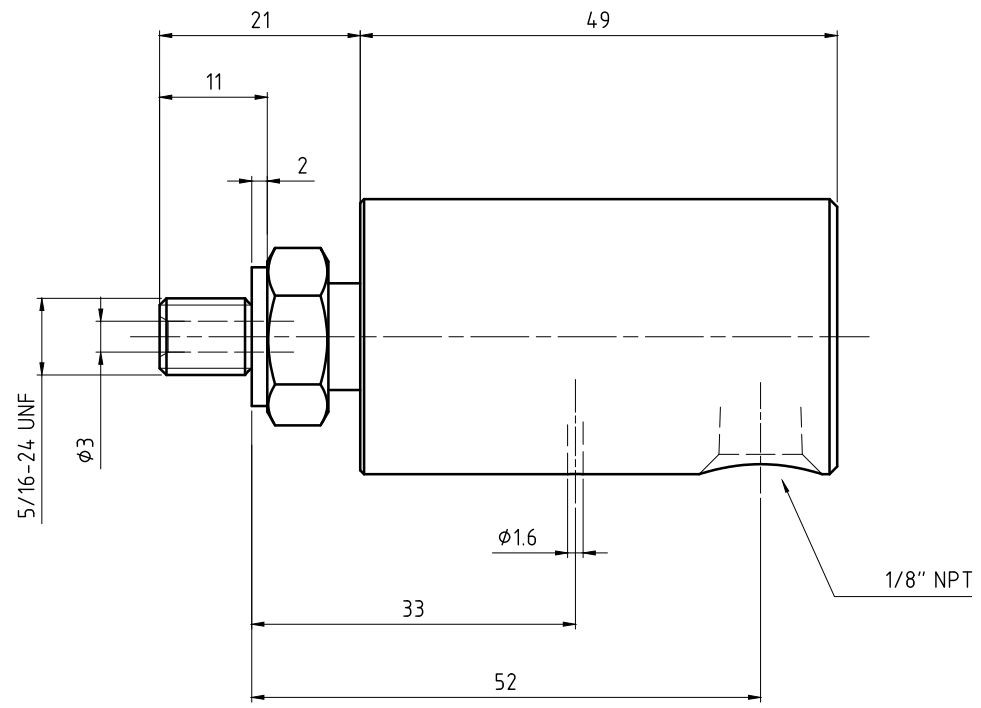


CONFIDENTIAL  
 THIS DOCUMENT CONTAINS CONFIDENTIAL AND PROPRIETARY  
 INFORMATION OF DEUBLIN COMPANY. COPYING, USE,  
 TRANSMISSION, DISTRIBUTION, AND DISCLOSURE ARE SUBJECT  
 TO THE TERMS AND CONDITIONS CONTAINED IN YOUR  
 AGREEMENT WITH DEUBLIN COMPANY. ALL RIGHTS RESERVED.



OPERATING DATA		
MEDIA	WATER	
MAX WATER PRESSURE	750 PSI	51 bar
MAX WATER TEMP.	250°F	121°C
MAX SPEED	3500 RPM	3500/min

		PROJECTION:		SCALE: 2:1	
		DATE	NAME	TITLE:	
		DRN. 29/07/2016	A.C.	INTERFACE CONTROL DRAWING	
		ENGR. 07/16	A.T.		
		APPD.			
		UNLESS SPECIFICALLY TOLERANCED, ALL DIMENSIONS ARE CONSIDERED REFERENCE		NO. 1005-113-110	
ISSUE	MODIFICATION	ECO	DATE	SIGN	SHEET A2