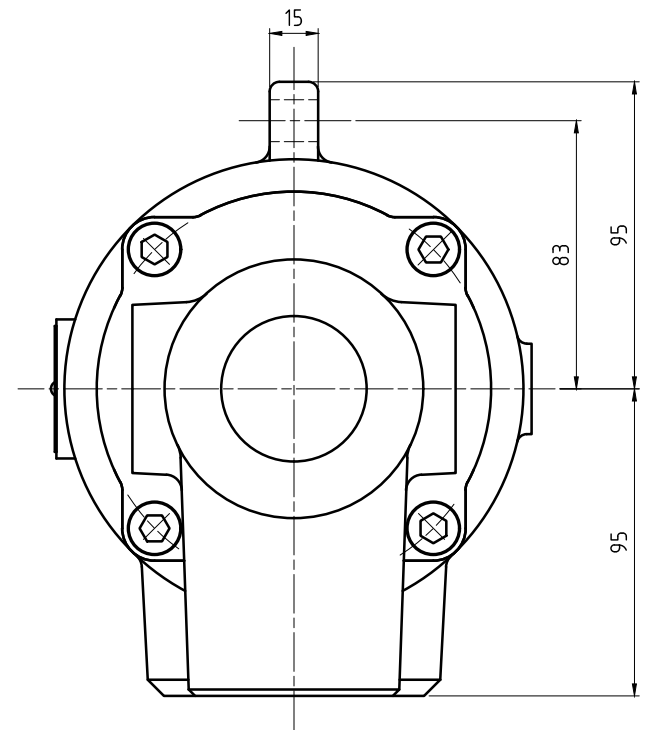
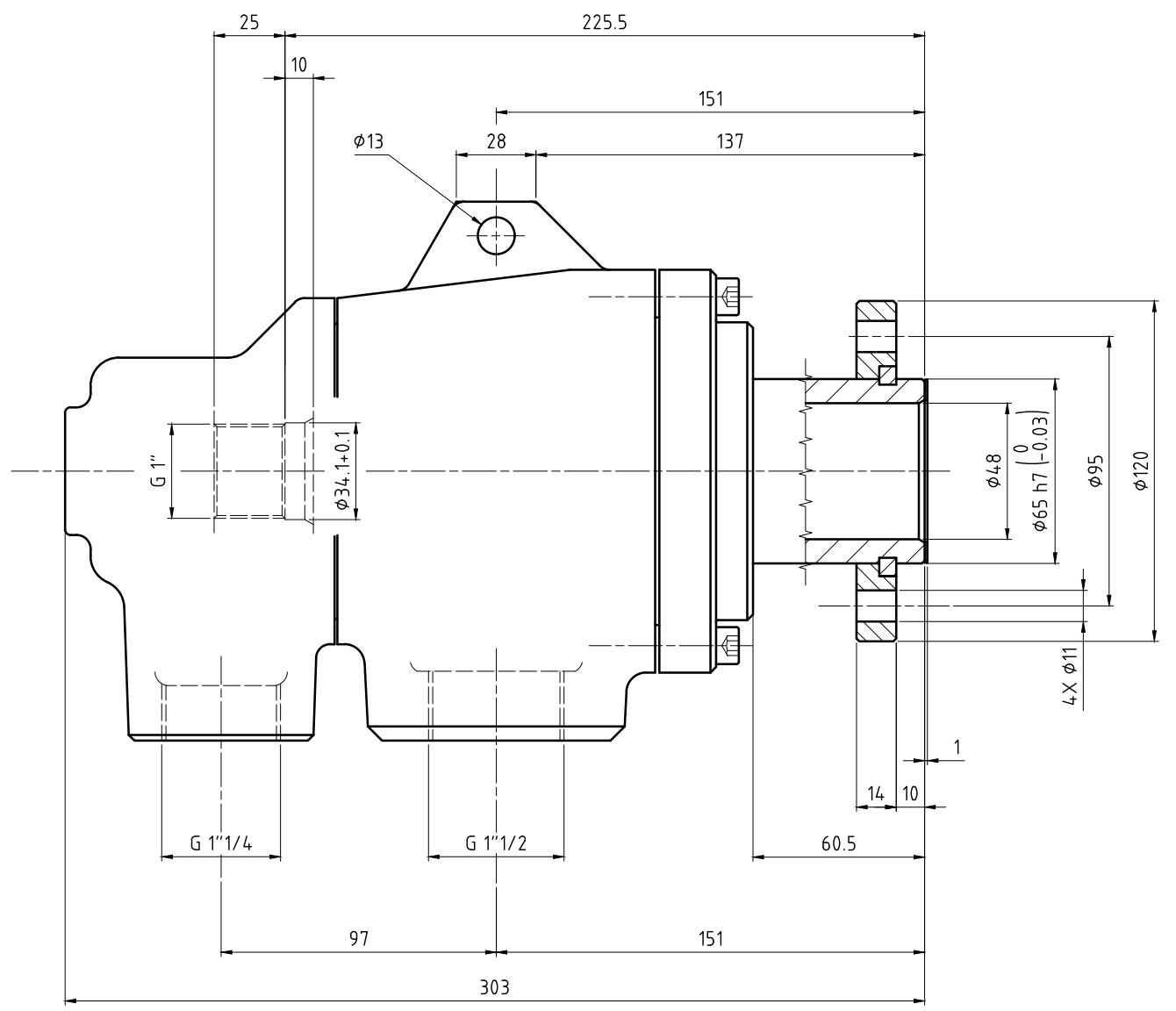


CONFIDENTIAL
 THIS DOCUMENT CONTAINS CONFIDENTIAL AND PROPRIETARY
 INFORMATION OF DEUBLIN COMPANY. COPYING, USE,
 TRANSMISSION, DISTRIBUTION, AND DISCLOSURE ARE SUBJECT
 TO THE TERMS AND CONDITIONS CONTAINED IN YOUR
 AGREEMENT WITH DEUBLIN COMPANY. ALL RIGHTS RESERVED.



		PROJECTION: 	SCALE: 1:1.5 MATERIAL: INTERFACE CONROL DRAWING								
<table border="1"> <thead> <tr> <th>DATE</th> <th>NAME</th> </tr> </thead> <tbody> <tr> <td>DRN. 02/03/2012</td> <td>A.S.</td> </tr> <tr> <td>ENGR. 03/2012</td> <td>A.T.</td> </tr> <tr> <td>APPD.</td> <td></td> </tr> </tbody> </table>		DATE	NAME	DRN. 02/03/2012	A.S.	ENGR. 03/2012	A.T.	APPD.		TITLE: ROTATING UNION H57 SC GA FLG STD	
DATE	NAME										
DRN. 02/03/2012	A.S.										
ENGR. 03/2012	A.T.										
APPD.											
UNLESS SPECIFICALLY TOLERANCED, ALL DIMENSIONS ARE CONSIDERED REFERENCE		NO. H57-130-200724	SHEET A2								
ISSUE	MODIFICATION	ECO	DATE								
			SIGN								