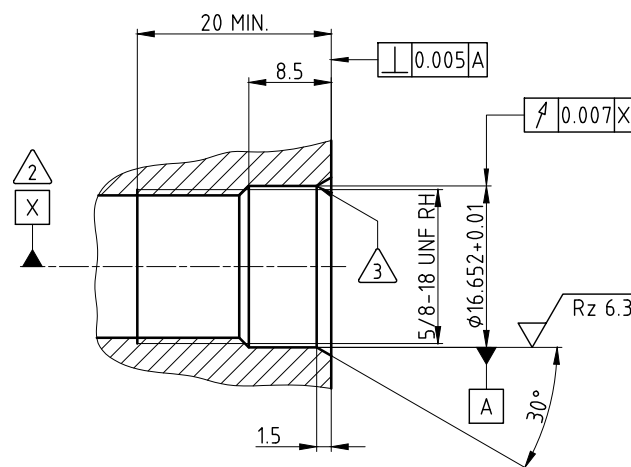
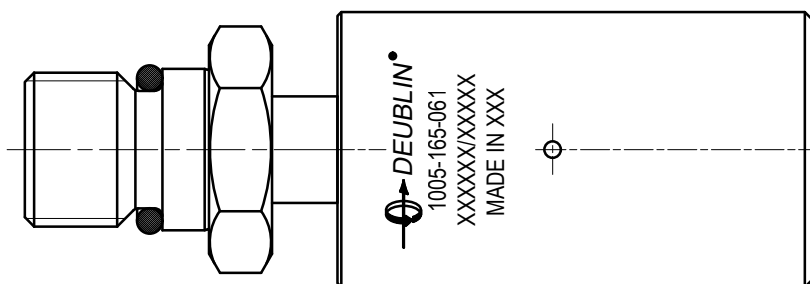
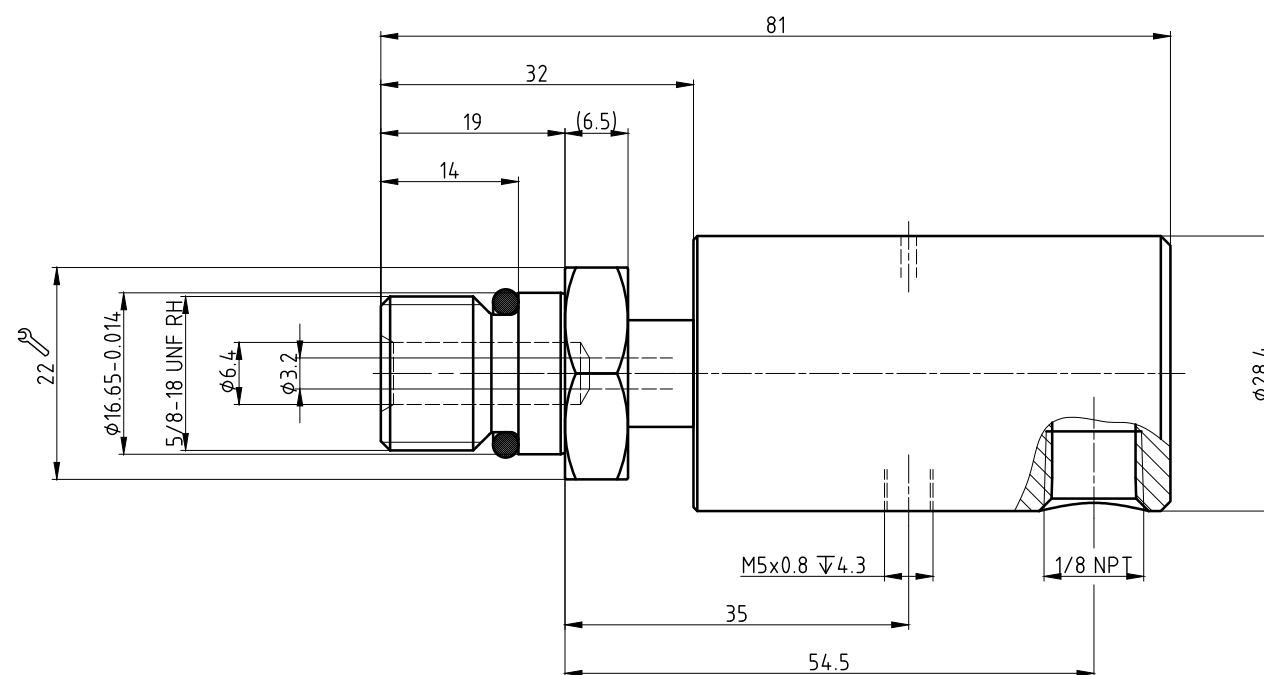


CONFIDENTIAL
 THIS DOCUMENT CONTAINS CONFIDENTIAL AND PROPRIETARY
 INFORMATION OF DEUBLIN COMPANY. COPYING, USE,
 TRANSMISSION, DISTRIBUTION, AND DISCLOSURE ARE SUBJECT
 TO THE TERMS AND CONDITIONS CONTAINED IN YOUR
 AGREEMENT WITH DEUBLIN COMPANY. ALL RIGHTS RESERVED.

1 - CONTACT DEUBLIN OR VISIT WWW.DEUBLIN.COM
 FOR INSTRUCTION MANUAL: 040-555.

- 2 - SPINDLE BEARING
- 3 - ROUNDED



OPERATING DATA			
MEDIA	AIR	VACUUM	HYDRAULIC OIL
PRESSURE MAX.	10 bar	7 kPa	70 bar
SPEED MAX.	3500 min ⁻¹	3500 min ⁻¹	3500 min ⁻¹
TEMPERATURE MAX.	120 °C	120 °C	120 °C
FLOW RATE MAX.	283 NI/min	- NI/min	3.6 L/min
DRY RUN	NO	NO	NO

	PROJECTION:	SCALE: 2:1	MATERIAL: INTERFACE CONTROL DRAWING
	DATE	NAME	TITLE: DEUBLIN ROTATING UNION
	DRN. 24.11.2016	CW	DEUBLIN Drehdurchführung
	ENGR. 24.11.2016	FD	
	APPD.		
UNLESS SPECIFICALLY TOLERANCED, ALL DIMENSIONS ARE CONSIDERED REFERENCE			NO. 1005-165-061
ISSUE	MODIFICATION	ECO	DATE
			SIGN
			SHEET A2