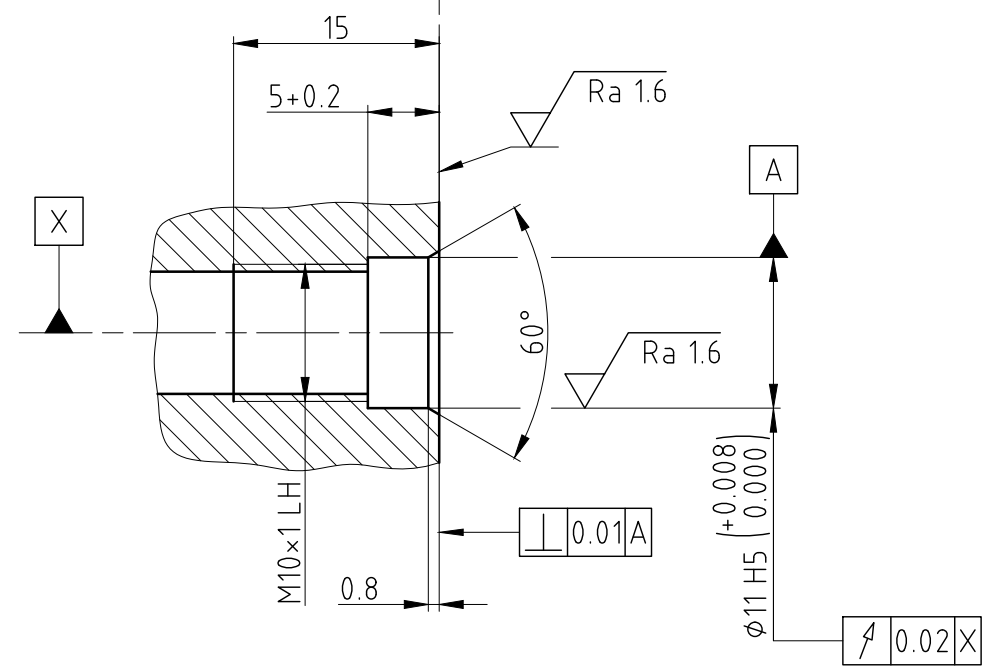
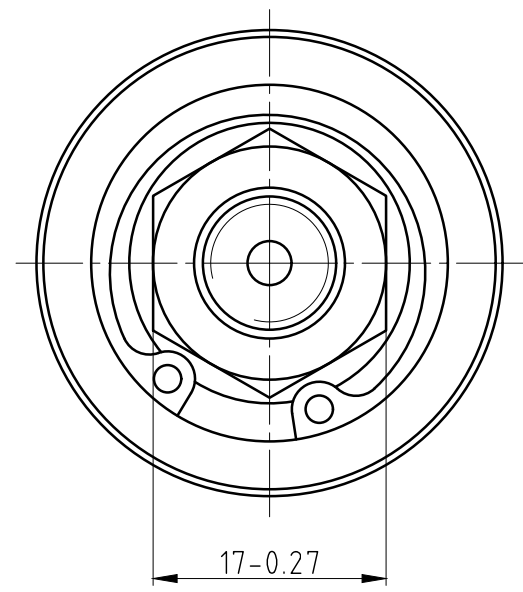
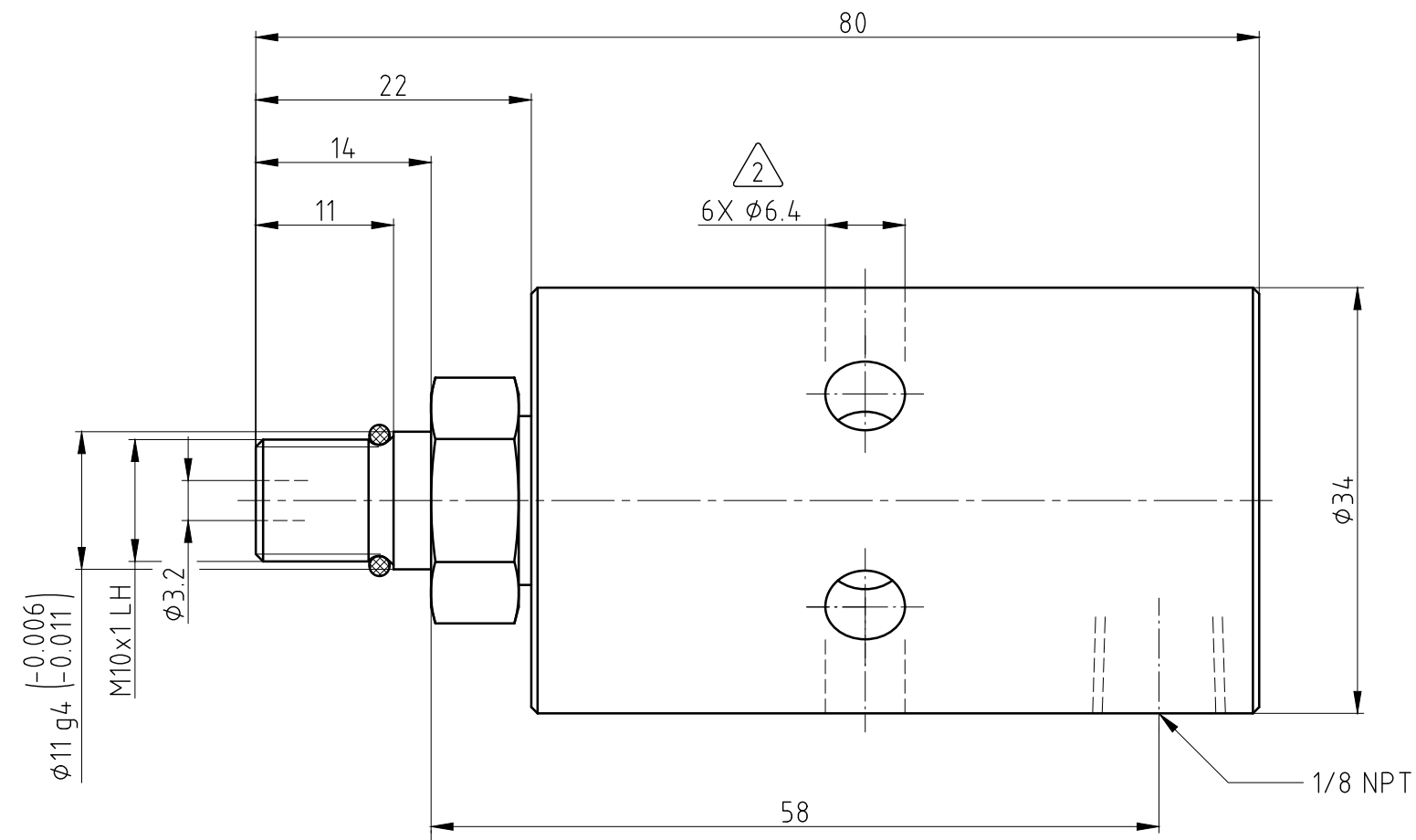


CONFIDENTIAL
 THIS DOCUMENT CONTAINS CONFIDENTIAL AND PROPRIETARY
 INFORMATION OF DEUBLIN COMPANY. COPYING, USE,
 TRANSMISSION, DISTRIBUTION AND DISCLOSURE ARE SUBJECT
 TO THE TERMS AND CONDITIONS CONTAINED IN YOUR
 AGREEMENT WITH DEUBLIN COMPANY. ALL RIGHTS RESERVED.

φ11	g4	-0.006	10.994
φ11	H5	+0.008	11.008
Maß	Passung	0.000	11.000

NOTES:

- ①
- ② - VENT HOLES



OPERATING DATA	
MEDIA	COOLANT
PRESSURE MAX.	105 bar
SPEED MAX.	15000 1/min
TEMPERATURE MAX.	70 °C
FLOW MAX.	6.7 l/min
FILTRATION	60 μm
DRY RUN	NO

		PROJECTION:	SCALE: 2:1				
			MATERIAL: INTERFACE CONTROL DRAWING				
		DATE: 15.02.2008	TITLE: DEUBLIN ROTATING UNION				
		ENGR: 15.02.2008	DEUBLIN Drehdurchführung				
C	REMOVED	018477	12.06.20	HS	APPD.	NO. 1005-402-448	SHEET A3
B	NOTES REVISED	016891	14.02.12	FD			
A	UPDATED PILOT TOLERANCE	001540	10/09	JK			
ISSUE	MODIFICATION	ECO	DATE	SIGN	UNLESS SPECIFICALLY TOLERANCED, ALL DIMENSIONS ARE CONSIDERED REFERENCE		