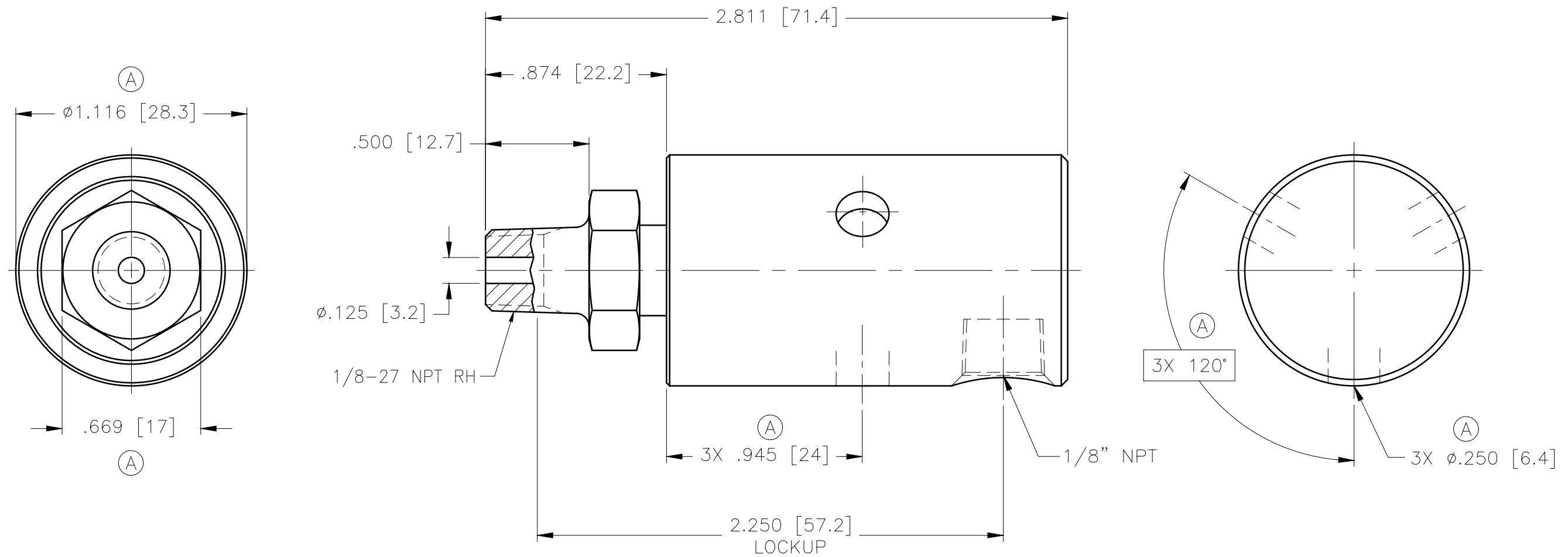


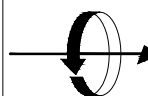
CONFIDENTIAL
 THIS DOCUMENT CONTAINS CONFIDENTIAL AND PROPRIETARY INFORMATION OF DEUBLIN COMPANY. COPYING, USE, TRANSMISSION, DISTRIBUTION, AND DISCLOSURE ARE SUBJECT TO THE TERMS AND CONDITIONS CONTAINED IN YOUR AGREEMENT WITH DEUBLIN COMPANY. ALL RIGHTS RESERVED.



OPERATING DATA		
MEDIA	DI WATER	
MAX WATER PRESSURE	1000 PSI	70 bar
MAX SPEED	1500 RPM	1500/min
MAX TEMPERATURE	250°F	121°C

SCALE	2:1	DWG SIZE	
DRN	LG	11/14/07	
ENGR	TW		
APPD			
PART NO.			
CUSTOMER			
A	REVISED HOUSING AND HEX SIZE	013296	03/11 NR
LET.	REVISION	ECO	DATE SIGN

UNLESS SPECIFICALLY TOLERANCED, ALL DIMENSIONS ARE REFERENCE
 DIMENSIONS IN [] ARE IN MILLIMETERS.

 **DEUBLIN** COMPANY
 WAUKEGAN, ILLINOIS, U.S.A.

TITLE: INTERFACE CONTROL DRAWING OF DEUBLIN UNION 1005-560-561

DWG NO. 1005-560-561 C.A.D DRAWING