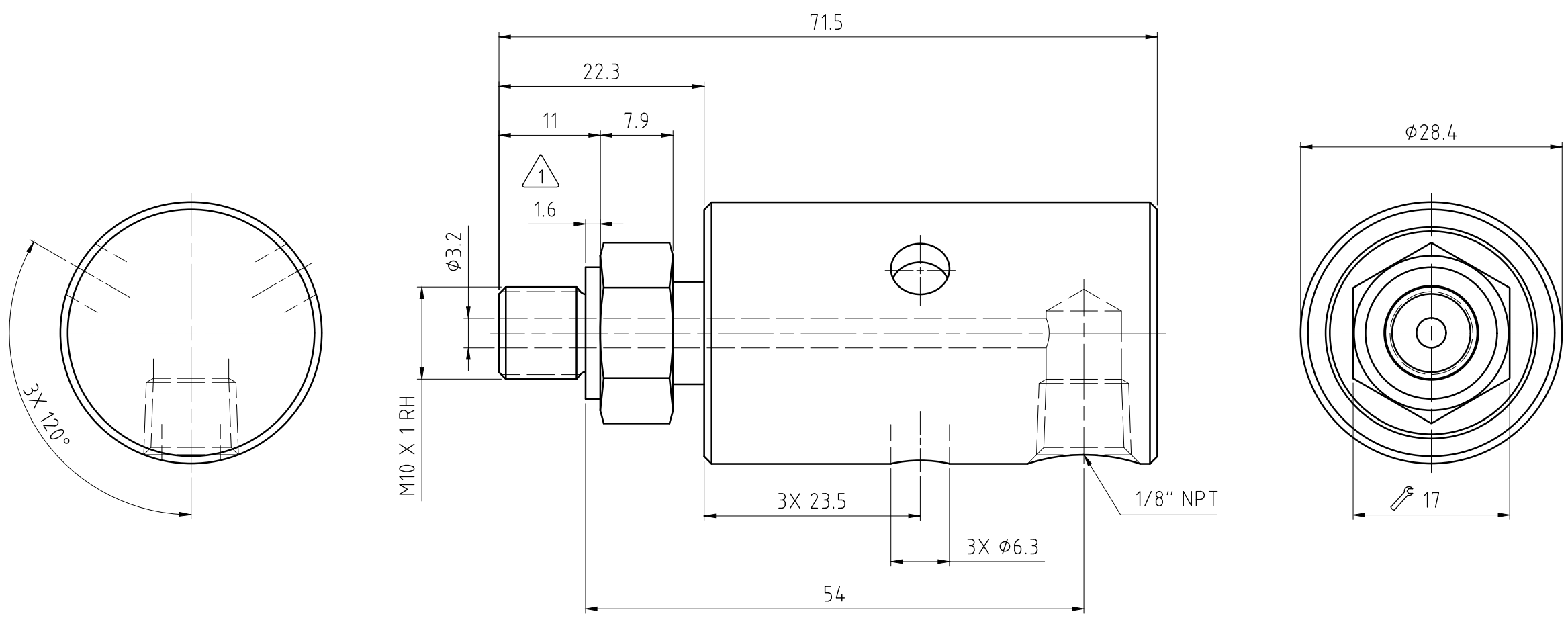


CONFIDENTIAL  
 THIS DOCUMENT CONTAINS CONFIDENTIAL AND PROPRIETARY  
 INFORMATION OF DEUBLIN COMPANY. COPYING, USE,  
 TRANSMISSION, DISTRIBUTION, AND DISCLOSURE ARE SUBJECT  
 TO THE TERMS AND CONDITIONS CONTAINED IN YOUR  
 AGREEMENT WITH DEUBLIN COMPANY. ALL RIGHTS RESERVED.

NOTES:  
 1 - GASKET THICKNESS.



(A)

OPERATING DATA				
MEDIA	COOLANT		DI WATER	
MAX WATER PRESSURE	1000 PSI	70 bar	1000 PSI	70 bar
MAX SPEED	3500 RPM	3500/min	3500 RPM	3500/min
MAX TEMPERATURE	250°F	121°C	250°F	121°C

		PROJECTION: 	SCALE: 2:1 MATERIAL: INTERFACE CONTROL DRAWING
		DATE: 04/13/11 NAME: G. ALLEN ENGR. 04/13/11 T. WILSON APPD.	TITLE: <b>DEUBLIN UNION</b>
A REVISED OP DATA 050704 02/19 NR ISSUE MODIFICATION ECO DATE SIGN		UNLESS SPECIFICALLY TOLERANCED, ALL DIMENSIONS ARE CONSIDERED REFERENCE	NO. 1005-560-568 SHEET A2