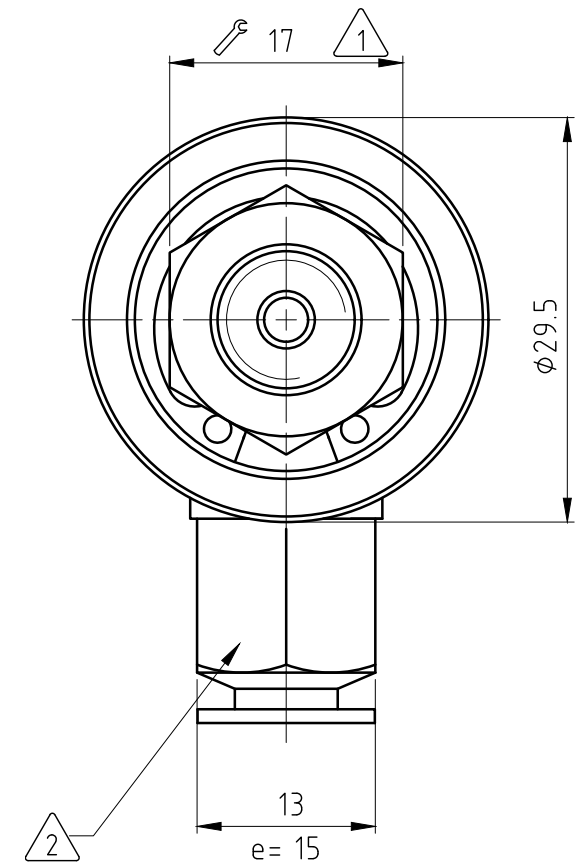
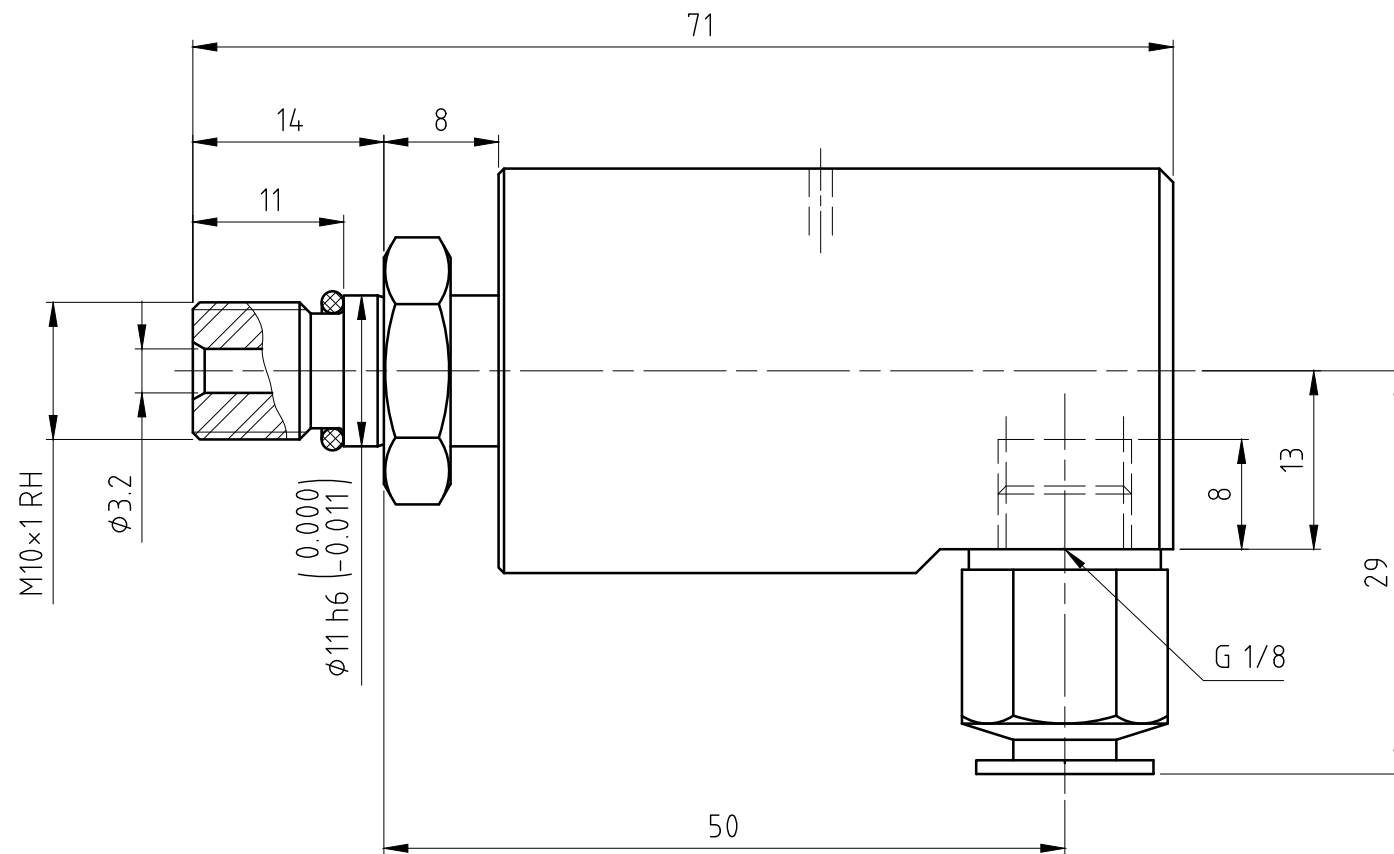
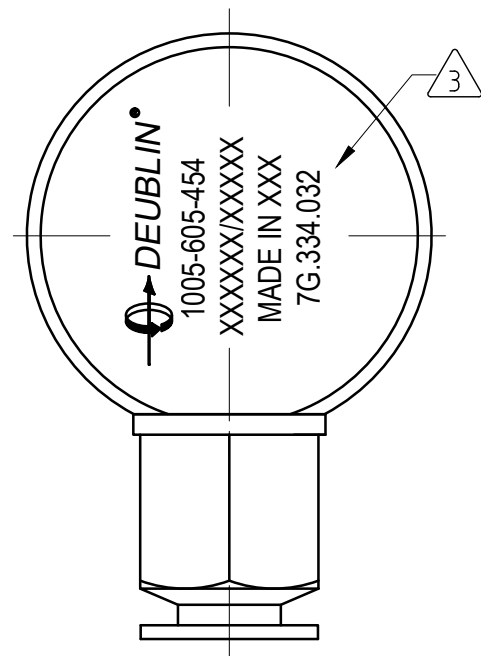


NOTES:

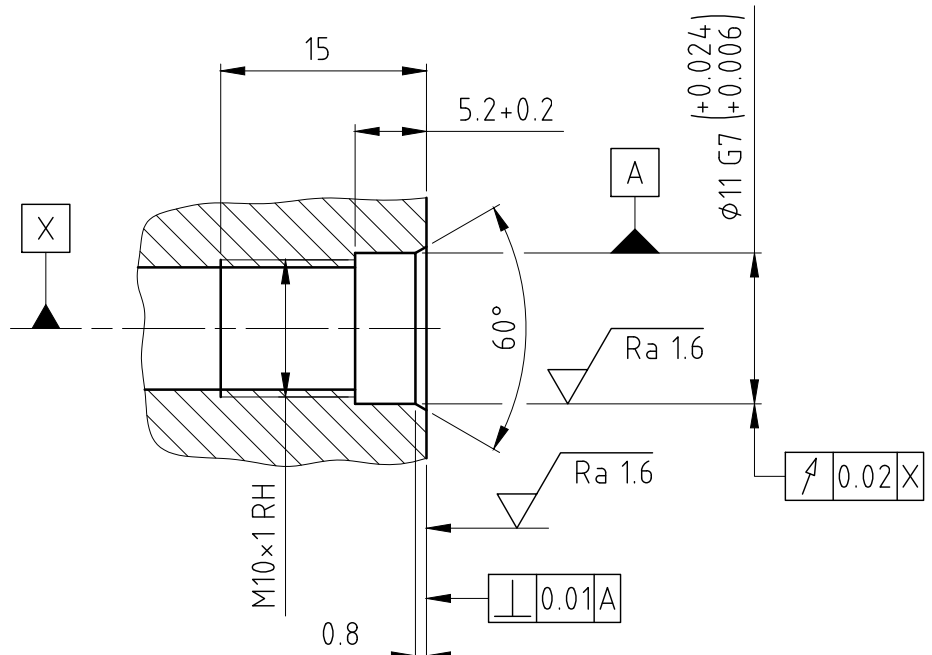
- 1 - TORQUE TO 17.5Nm +/- 2.5Nm.
- 2 - FESTO FITTING (186096) FOR HOSE WITH OUTER DIA 6mm
- 3 - HDM-NR. "7G.334.032"

CONFIDENTIAL
THIS DOCUMENT CONTAINS CONFIDENTIAL AND PROPRIETARY INFORMATION OF DEUBLIN COMPANY. COPYING, USE, TRANSMISSION, DISTRIBUTION, AND DISCLOSURE ARE SUBJECT TO THE TERMS AND CONDITIONS CONTAINED IN YOUR AGREEMENT WITH DEUBLIN COMPANY. ALL RIGHTS RESERVED.

Ø11	h6	0.000 -0.011	11.000 10.989
Ø11	G7	+0.024 +0.006	11.024 11.006
Dimen.	Fit		



CUSTOMER INTERFACE



OPERATING DATA	
MEDIA	DRY AIR
MAX. PRESSURE	7 bar
MAX. SPEED	1000 1/min
MAX. TEMPERATURE	80 °C
FILTRATION	40 µm

		PROJECTION:	SCALE: 2:1	MATERIAL: INTERFACE CONTROL DRAWING
		DATE	NAME	TITLE: DEUBLIN ROTATING UNION DEUBLIN Drehdurchführung
		DRN. 17.04.2003	WRS	
		ENGR. 17.04.2003	Ch. Wolf	
C	UPDATE IMS	018477	11.06.12	HS
b	Redrawn in Metric	000177	20.12.07	CW
a	Bem. hinzu/Schild entf.	07207	01.08.07	CB
ISSUE	MODIFICATION	ECO	DATE	SIGN
UNLESS SPECIFICALLY TOLERANCED, ALL DIMENSIONS ARE CONSIDERED REFERENCE				NO. 1005-605-454
				SHEET A3