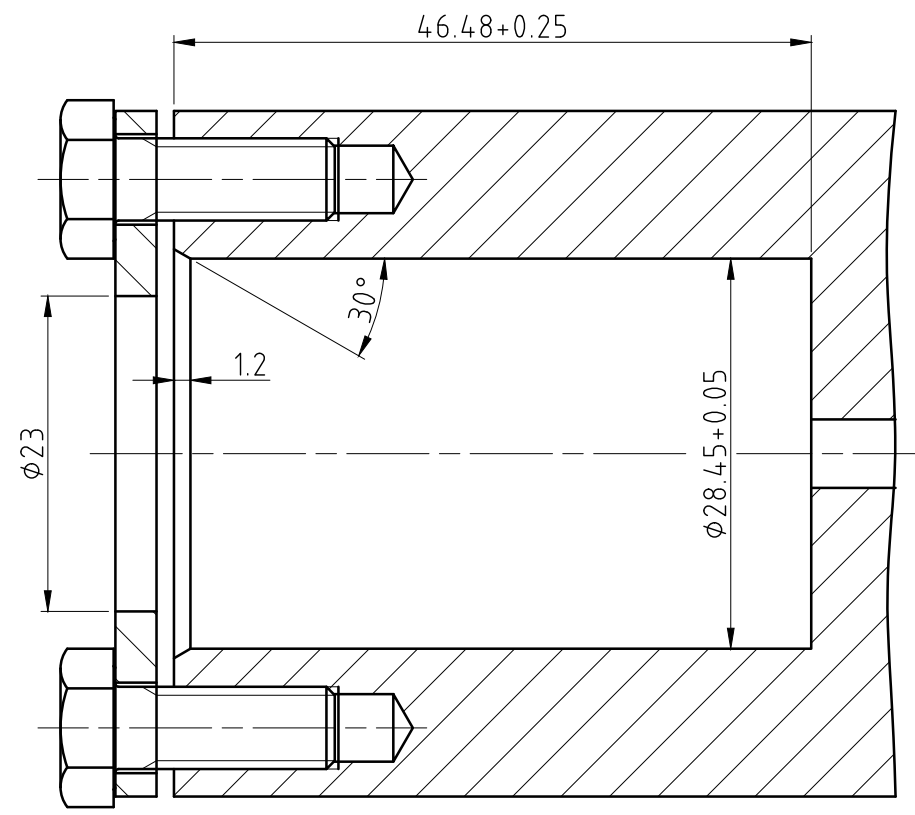
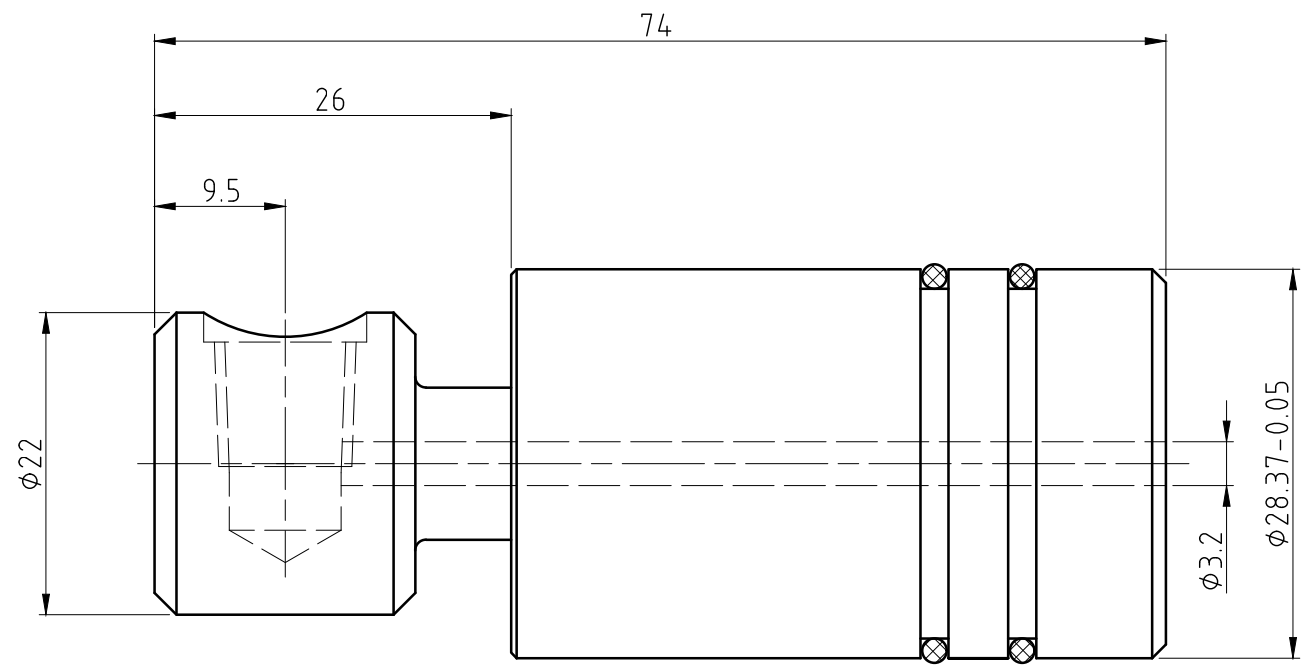
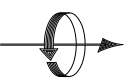
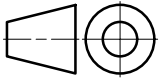


CONFIDENTIAL
 THIS DOCUMENT CONTAINS CONFIDENTIAL AND PROPRIETARY
 INFORMATION OF DEUBLIN COMPANY. COPYING, USE,
 TRANSMISSION, DISTRIBUTION, AND DISCLOSURE ARE SUBJECT
 TO THE TERMS AND CONDITIONS CONTAINED IN YOUR
 AGREEMENT WITH DEUBLIN COMPANY. ALL RIGHTS RESERVED.



Shaft end of the customer

OPERATING DATA / Betriebsdaten		
MEDIA/Medium	hydraulik	Hydraulik
p max.	1000 PSI	70 bar
n max.	3500 RPM	3500 1/min
t max.	250 °F	120 °C

 DEUBLIN COMPANY WAUKEGAN, ILLINOIS, U.S.A.	PROJECTION:	SCALE: 2:1	MATERIAL: INTERFACE CONTROL DRAWING
			
	DATE	NAME	TITLE:
	DRN. 01/08/09	N. Reyna	DEUBLIN UNION
	ENGR. 01/08/09	S. Stasi	
	APPD.		NO.
	UNLESS SPECIFICALLY TOLERANCED, ALL DIMENSIONS ARE CONSIDERED REFERENCE		1005-656-001
ISSUE	MODIFICATION	ECO	DATE
			SIGN
			SHEET