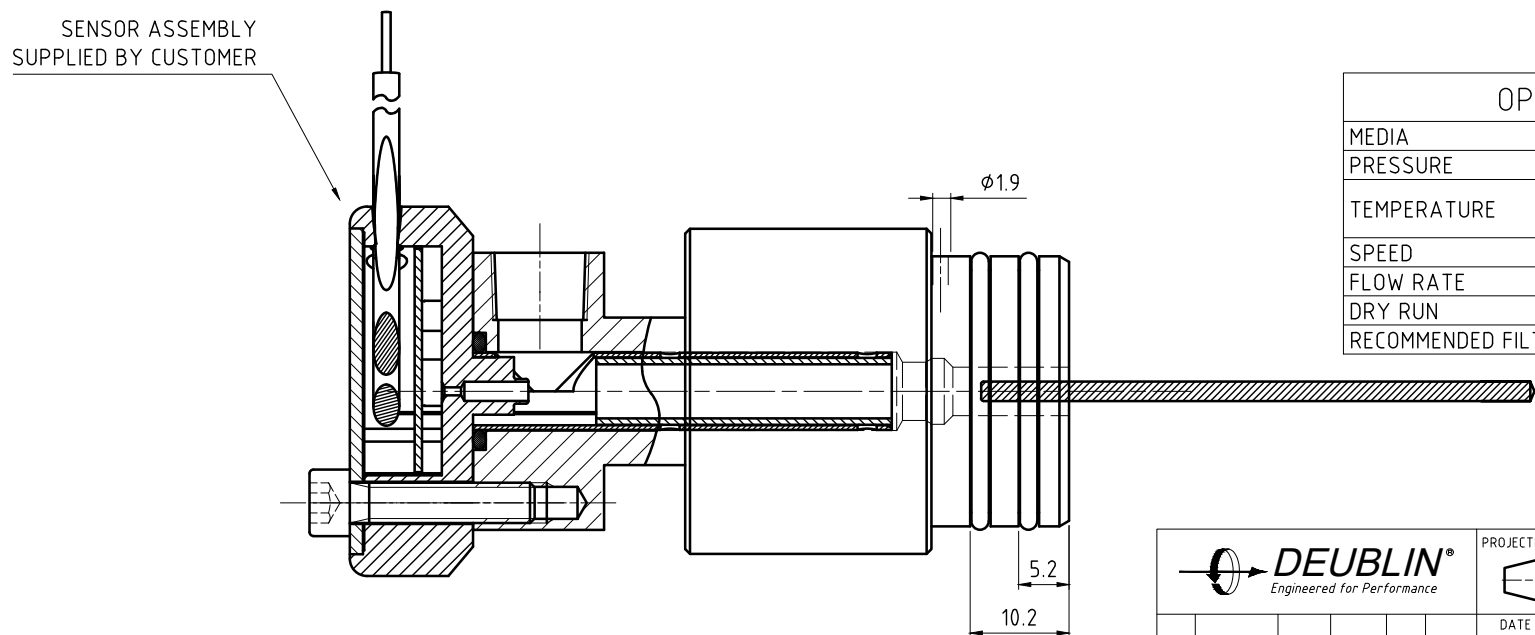
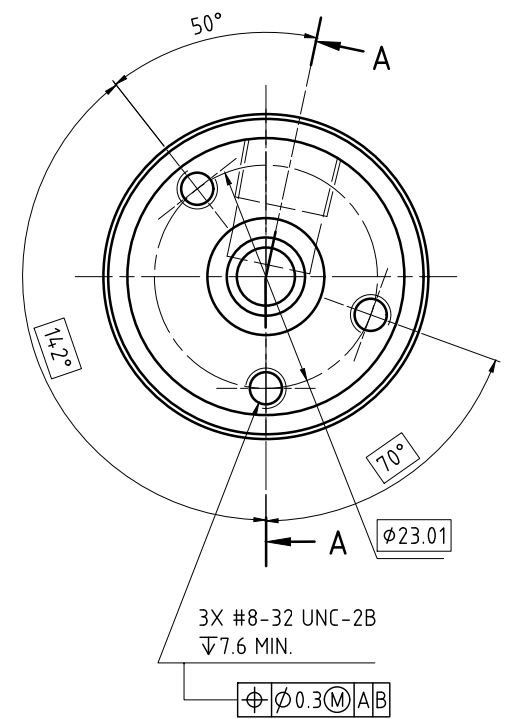
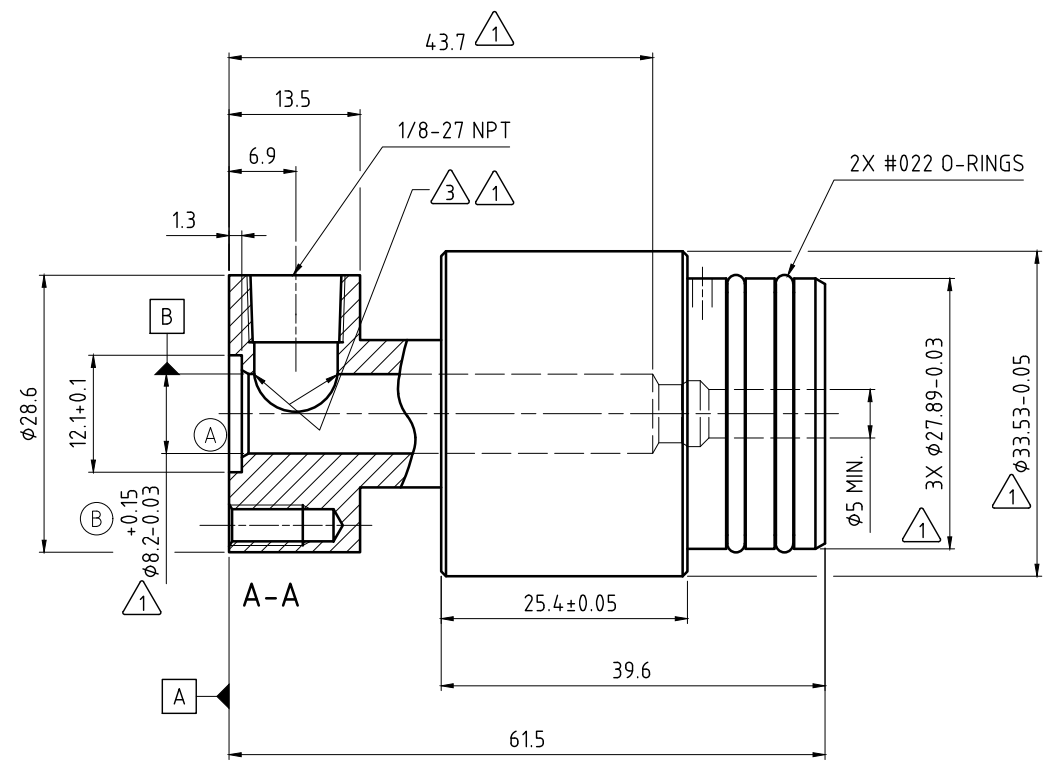
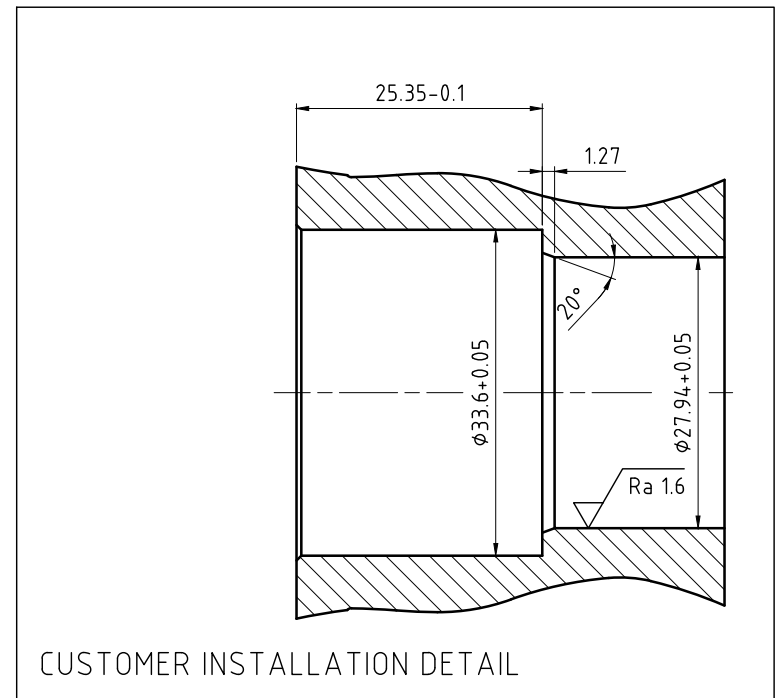


NOTES:

- ① - CRITICAL DIMENSION.
- ② - OPERATION AT MAXIMUM PRESSURE COMBINED WITH MAXIMUM SPEED SHOULD BE AVOIDED.
- ③ - BURRS NOT PERMITTED IN NOTED AREA.



OPERATING DATA ②		
MEDIA		HYDRAULIC OIL
PRESSURE	MAXIMUM	70 bar
TEMPERATURE	MAXIMUM	121 °C
	MINIMUM	- °C
SPEED	MAXIMUM	3500 min ⁻¹
FLOW RATE	MAXIMUM	9.9 L/min
DRY RUN		NO
RECOMMENDED FILTRATION		ISO 4406 CLASS 17/15/12

		PROJECTION:	SCALE: 2:1
DATE: 07/25/2012 NAME: GALINDOLM		TITLE: INTERFACE CONTROL DRAWING DEUBLIN CUSTOM UNION	
DRN. 07/25/2012 ENGR.		NO. 1005-683	
APPD.		SHEET A2	
B WAS#01-003-015 047605 6/18 GA	A REMOVED O-RING 042580 05/17 RM	UNLESS SPECIFICALLY TOLERANCED, ALL DIMENSIONS ARE CONSIDERED REFERENCE	
ISSUE MODIFICATION ECO DATE SIGN			