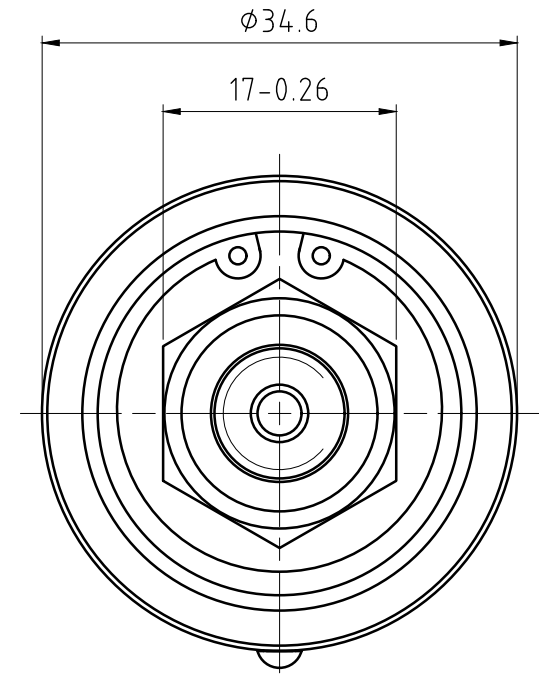
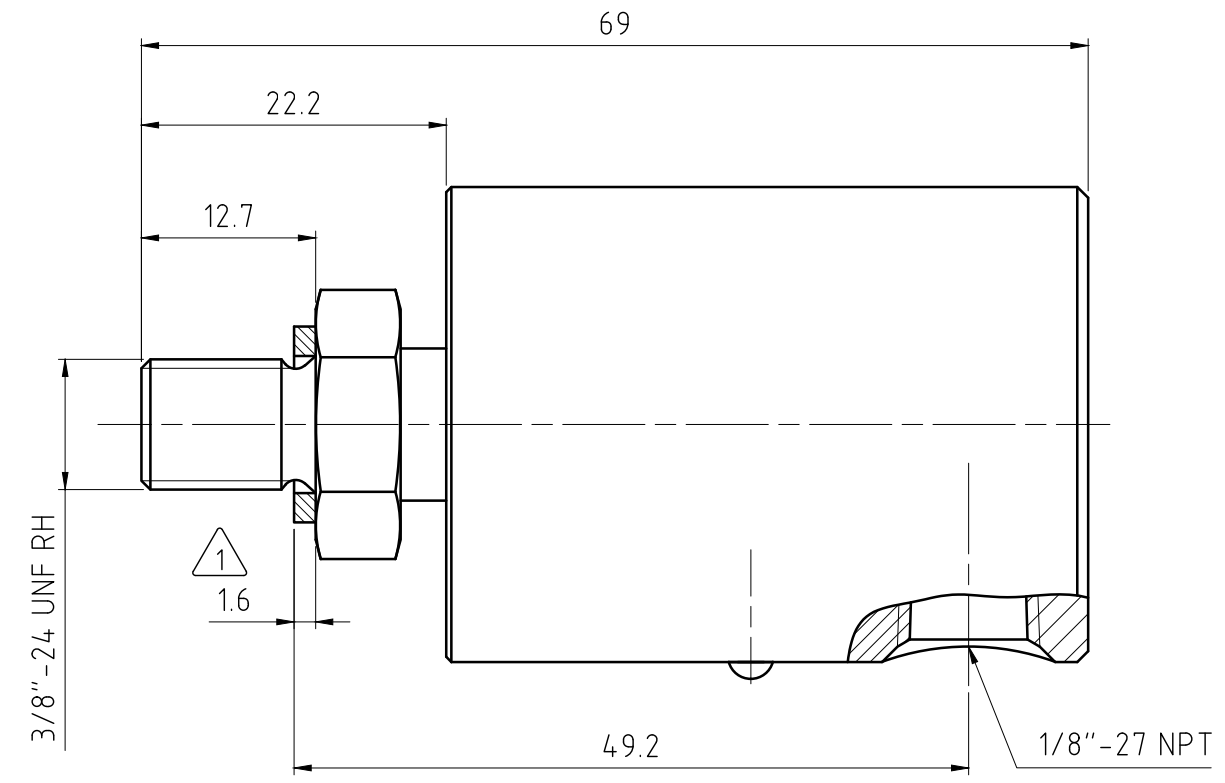
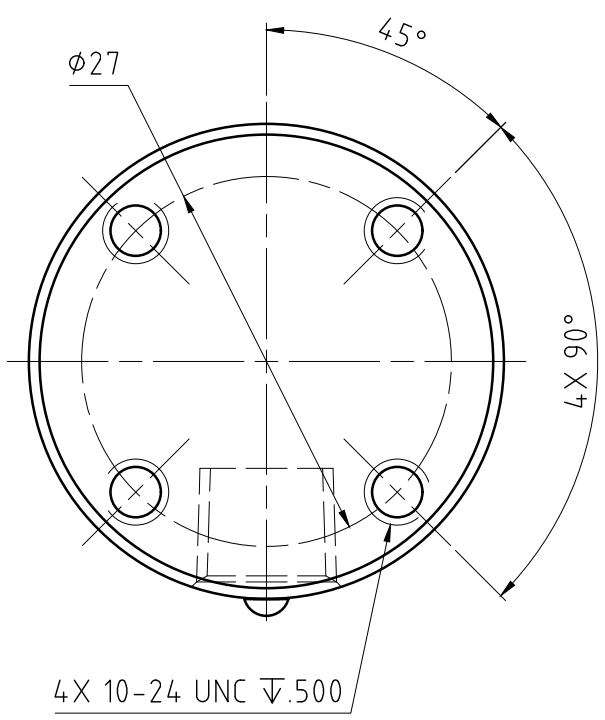


CONFIDENTIAL  
 THIS DOCUMENT CONTAINS CONFIDENTIAL AND PROPRIETARY  
 INFORMATION OF DEUBLIN COMPANY. COPYING, USE,  
 TRANSMISSION, DISTRIBUTION, AND DISCLOSURE ARE SUBJECT  
 TO THE TERMS AND CONDITIONS CONTAINED IN YOUR  
 AGREEMENT WITH DEUBLIN COMPANY. ALL RIGHTS RESERVED.

NOTES:  
 1 - GASKET THICKNESS.



OPERATING DATA		
MEDIA	AIR	
MAX AIR PRESSURE	150 PSI	10 bar
MAX VACUUM	28" Hg	6.7 kPa
MAX SPEED	1500 RPM	1500/min
MAX TEMPERATURE	250°F	121°C

		PROJECTION: 	SCALE: 2:1 MATERIAL: INTERFACE CONTROL DRAWING
DRN. 05/28/15 N. Reyna ENGR. 05/28/15 T. Wilson APPD.		DATE: 05/28/15 NAME: N. Reyna T. Wilson	TITLE: <b>DEUBLIN UNION</b>
UNLESS SPECIFICALLY TOLERANCED, ALL DIMENSIONS ARE CONSIDERED REFERENCE		NO. 1005-701-019	SHEET A3
ISSUE	MODIFICATION	ECO	DATE
			SIGN