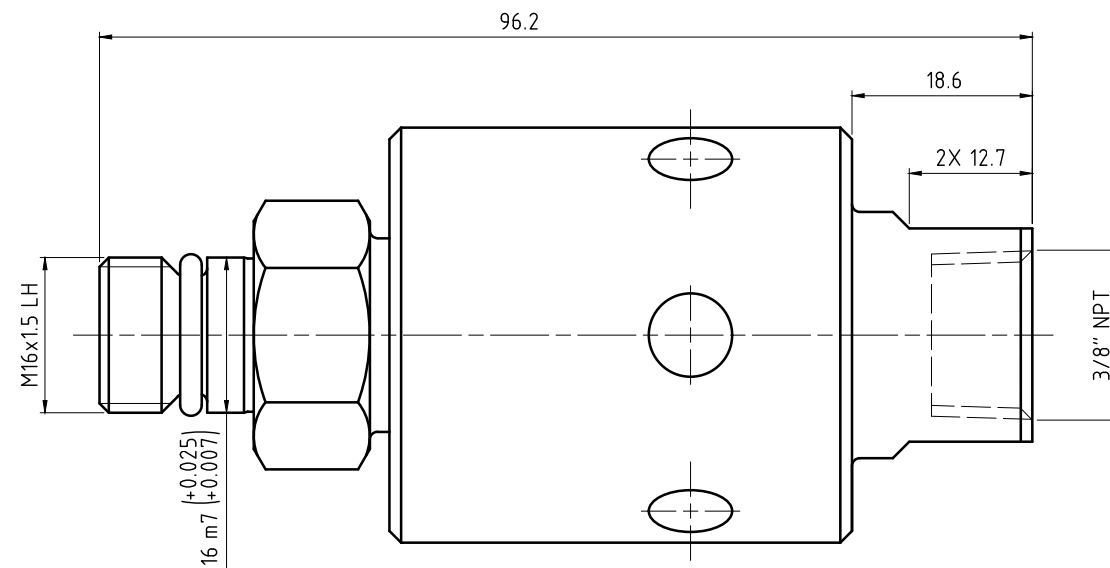
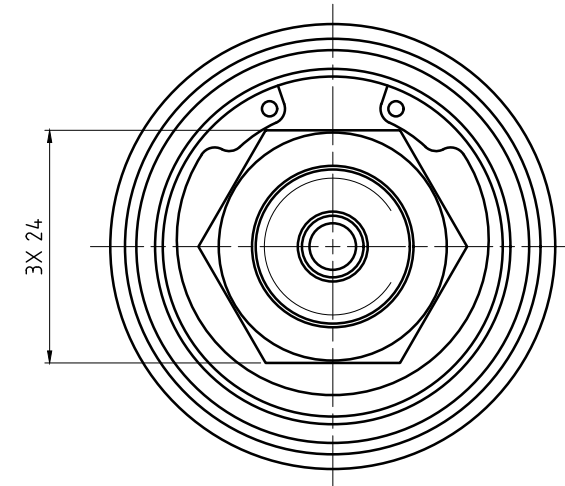
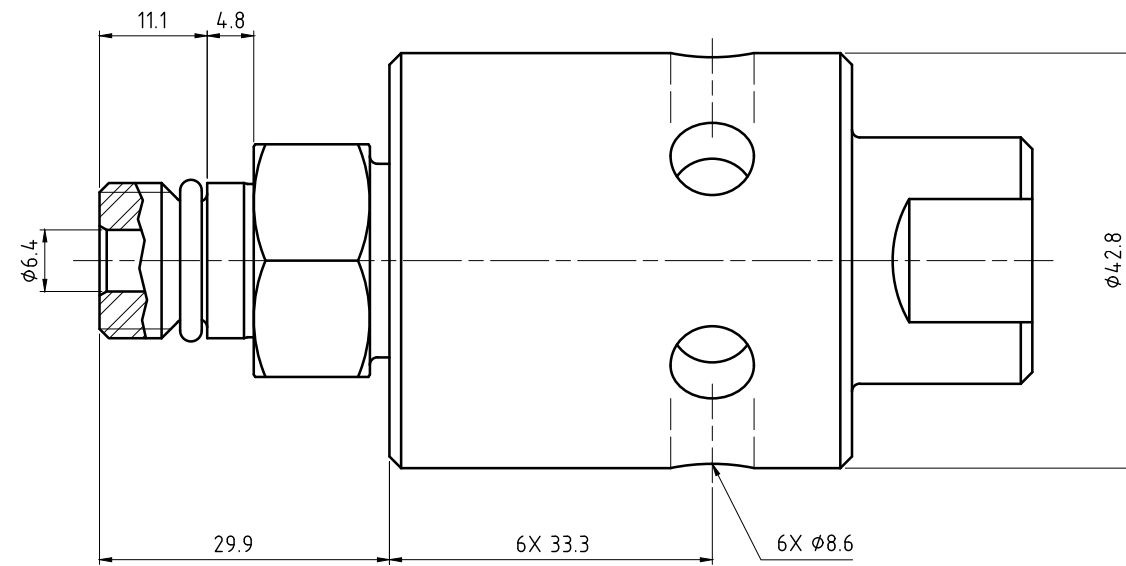
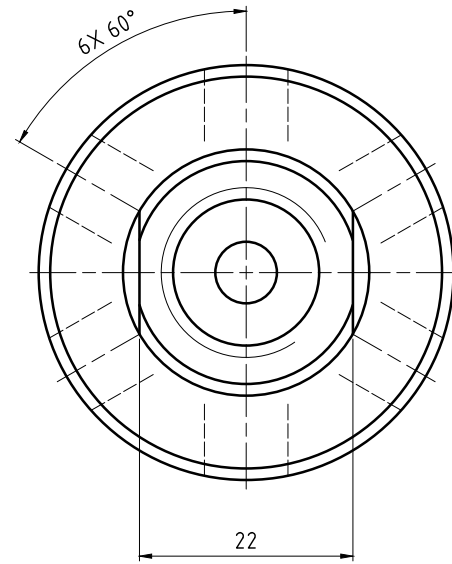


CONFIDENTIAL
 THIS DOCUMENT CONTAINS CONFIDENTIAL AND PROPRIETARY
 INFORMATION OF DEUBLIN COMPANY. COPYING, USE,
 TRANSMISSION, DISTRIBUTION, AND DISCLOSURE ARE SUBJECT
 TO THE TERMS AND CONDITIONS CONTAINED IN YOUR
 AGREEMENT WITH DEUBLIN COMPANY. ALL RIGHTS RESERVED.



OPERATING DATA		
MEDIA	COOLANT	
MAX PRESSURE	1500 PSI	105 bar
MAX SPEED	15000 RPM	15000/min
MAX TEMPERATURE	160°F	71°C



PROJECTION:	SCALE: 2:1	MATERIAL:	INTERFACE CONTROL DRAWING
DATE	NAME	TITLE:	DEUBLIN UNION
DRN. 02/06/13	N. Reyna	NO.	1101-200-259
ENGR. 02/06/13	T. Wilson	SHEET	A2
APPD.			

ISSUE MODIFICATION ECO DATE SIGN

UNLESS SPECIFICALLY TOLERANCED, ALL DIMENSIONS ARE CONSIDERED REFERENCE