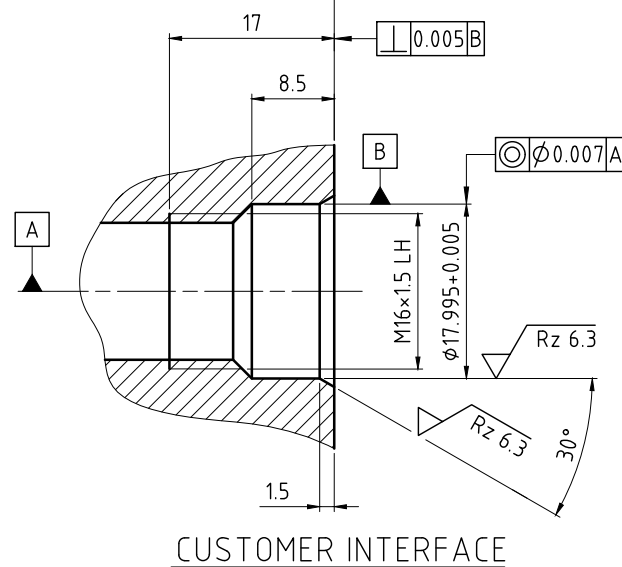
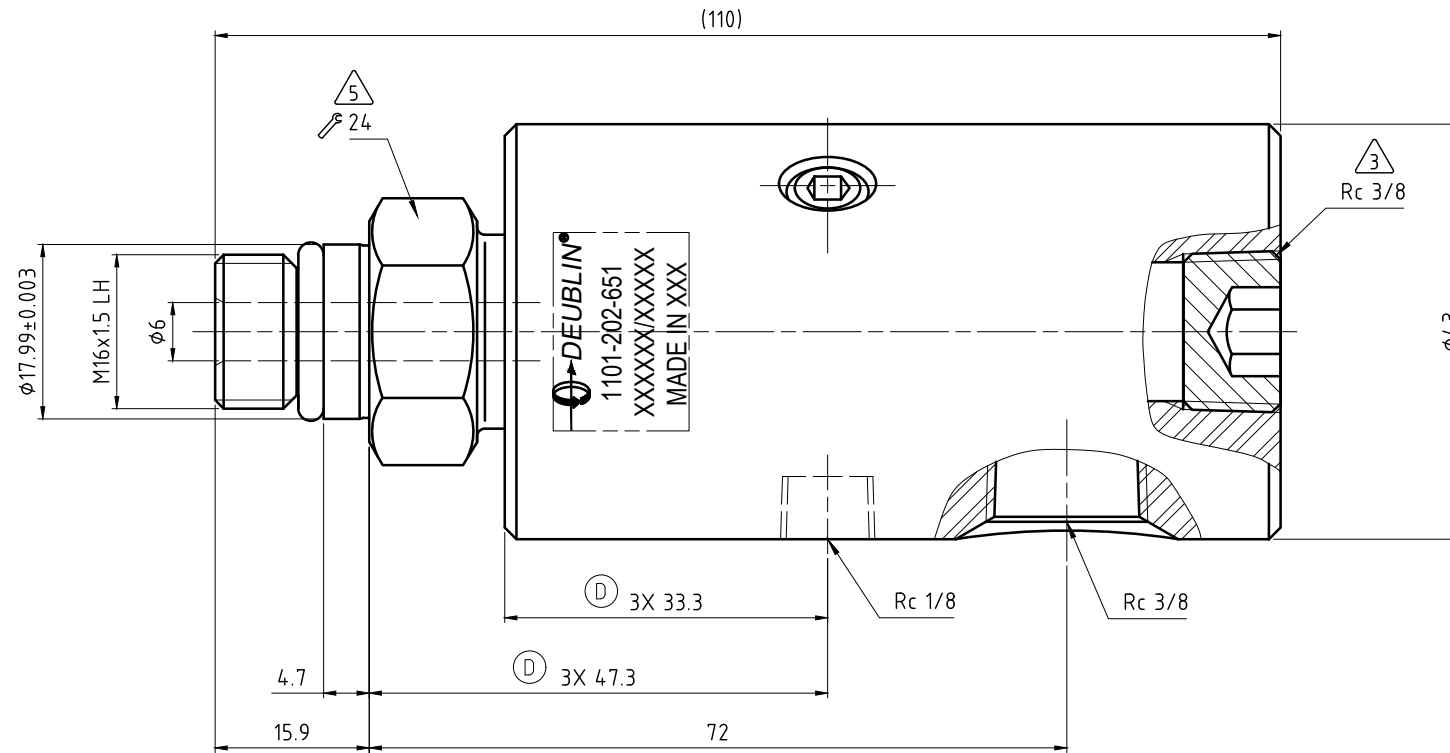
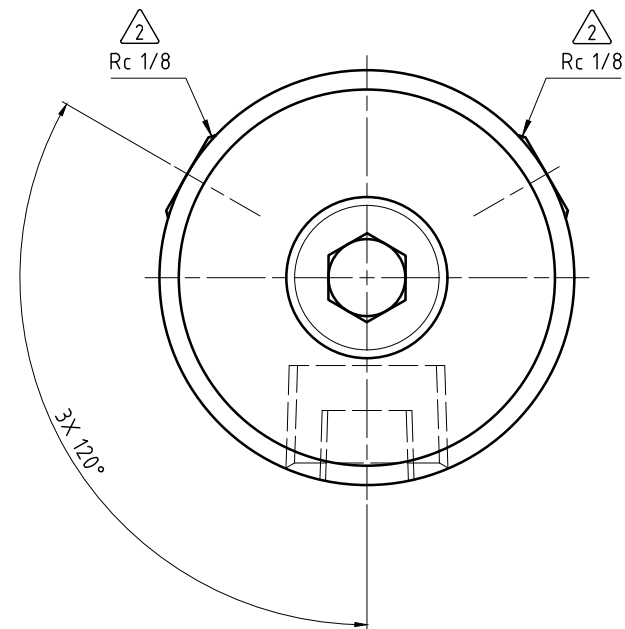


NOTES:

- 1 - CONTACT DEUBLIN OR VISIT WWW.DEUBLIN.COM  
 FOR INSTRUCTION MANUAL: 040-552
- 2 - (2) PLUGS INSTALLED HAND TIGHT. NOTE INSTRUCTION MANUAL FOR  
 DRAIN PORT CONNECTION.
- 3 - 2X MEDIA PORT; 1X PLUGGED APPLIED WITH LOCTITE .
- 4 - AFTER REACHING AT MOST THE 150 h DRY RUN THE SEALS MUST BE LUBRICATED WITH COOLANT.
- 5 - TORQUE TO 35Nm.



OPERATING DATA			
MEDIA		COOLANT	AIR
MEDIA PRESSURE	MAXIMUM	105 bar	10 bar
	MINIMUM	- bar	1 bar
FLOW RATE	MAXIMUM	24.3 L/min	1128 NL/min
	MINIMUM	- L/min	70 NL/min
TEMPERATURE	MAXIMUM	70 °C	70 °C
	MINIMUM	5 °C	5 °C
MAXIMUM SPEED		15000 min <sup>-1</sup>	12000 min <sup>-1</sup>
DRY RUN		UNPRESS. ONLY	150 h (max.)
RECOMMENDED FILTRATION		17/15/12	ISO CLASS 4 8573-1

		PROJECTION:	SCALE: 2:1
			MATERIAL: INTERFACE CONTROL DRAWING
		DATE: 11/03/17	TITLE: DEUBLIN UNION
		NAME: CB	
		DATE: 11/07/17	
		NAME: EG	
			NO. 1101-202-651
			SHEET A2