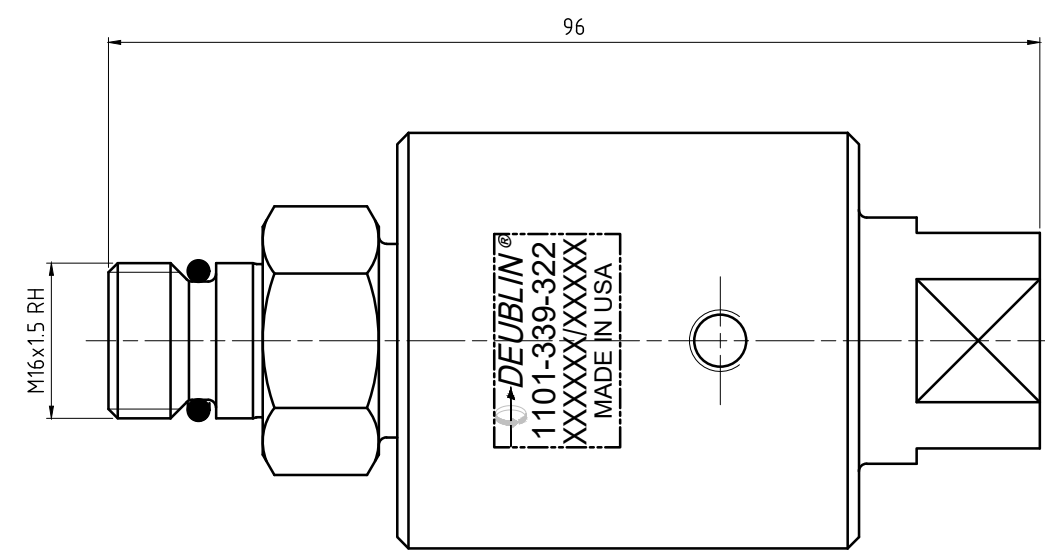
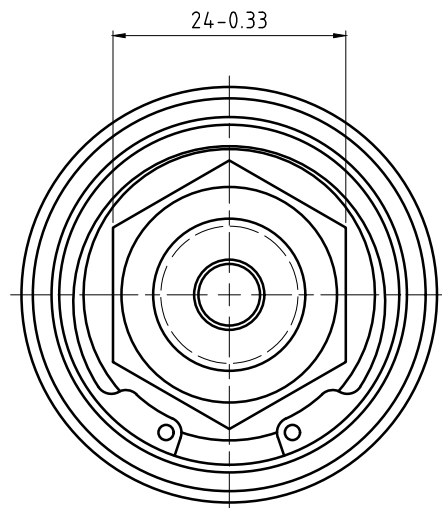
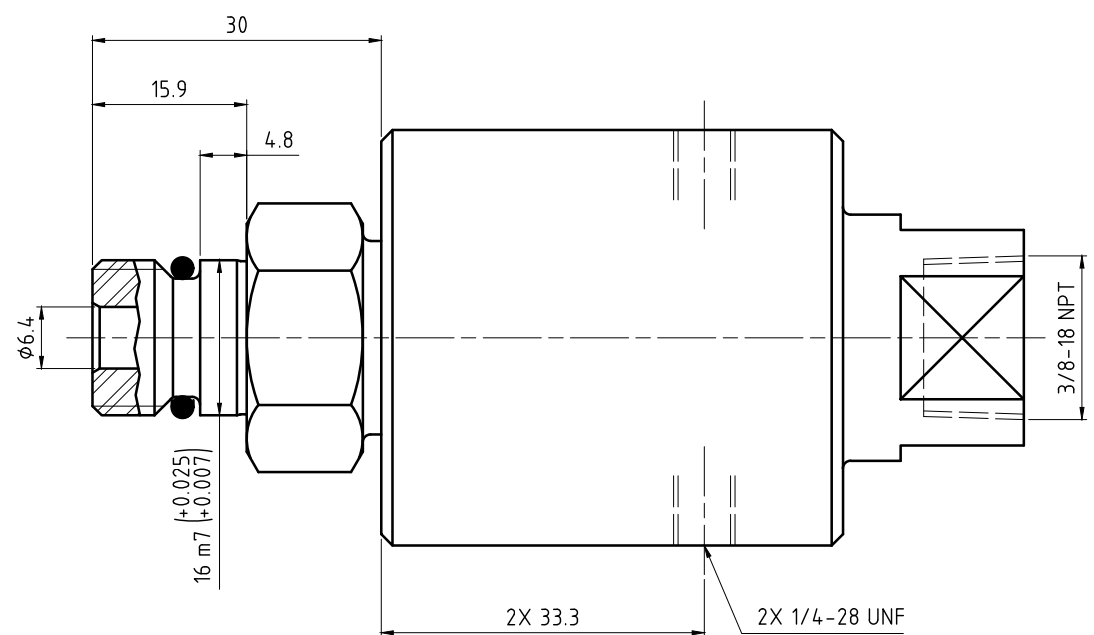
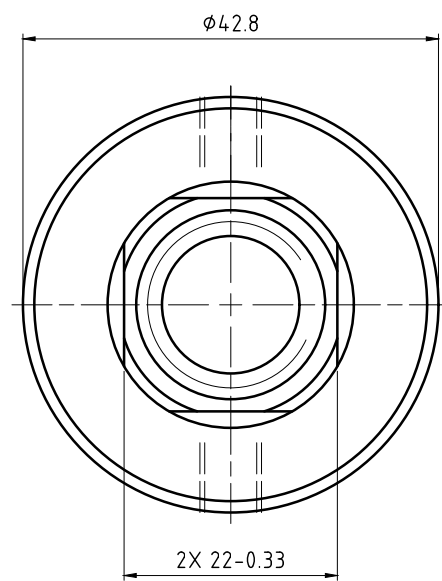


CONFIDENTIAL
 THIS DOCUMENT CONTAINS CONFIDENTIAL AND PROPRIETARY
 INFORMATION OF DEUBLIN COMPANY. COPYING, USE,
 TRANSMISSION, DISTRIBUTION, AND DISCLOSURE ARE SUBJECT
 TO THE TERMS AND CONDITIONS CONTAINED IN YOUR
 AGREEMENT WITH DEUBLIN COMPANY. ALL RIGHTS RESERVED.



OPERATING DATA		
MEDIA	COOLANT	
MAX PRESSURE	1500 PSI	105 bar
MAX SPEED	15000 RPM	15000/min
MAX TEMPERATURE	160°F	71°C

	PROJECTION:	SCALE: 2:1	MATERIAL: INTERFACE CONTROL DRAWING		
	DATE	NAME	TITLE:		
	DRN. 02/06/13	N. Reyna	DEUBLIN UNION		
	ENGR. 02/06/13	T. Wilson			
	APPD.				
UNLESS SPECIFICALLY TOLERANCED, ALL DIMENSIONS ARE CONSIDERED REFERENCE			NO. 1101-339-322		
ISSUE	MODIFICATION	ECO	DATE	SIGN	SHEET A2