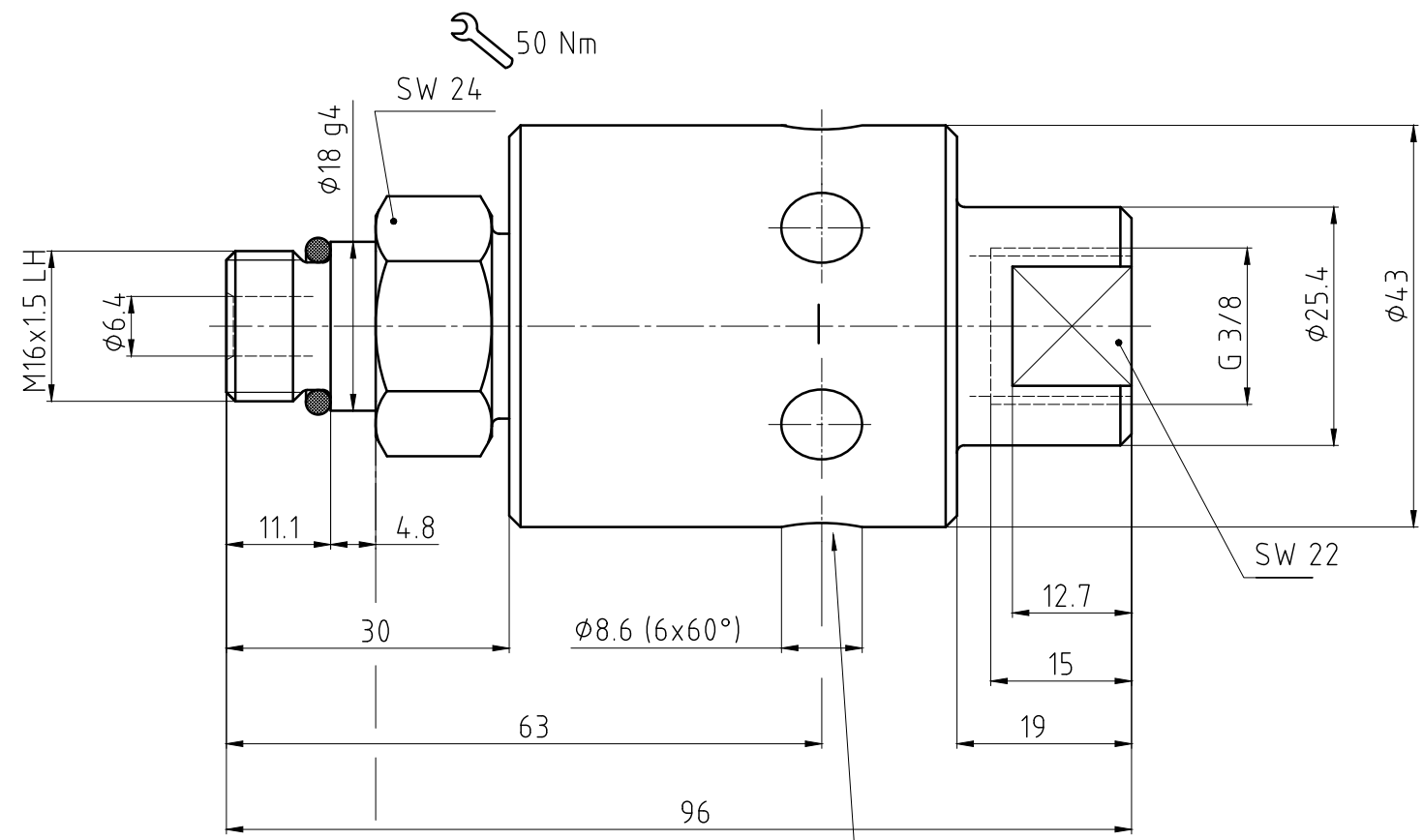


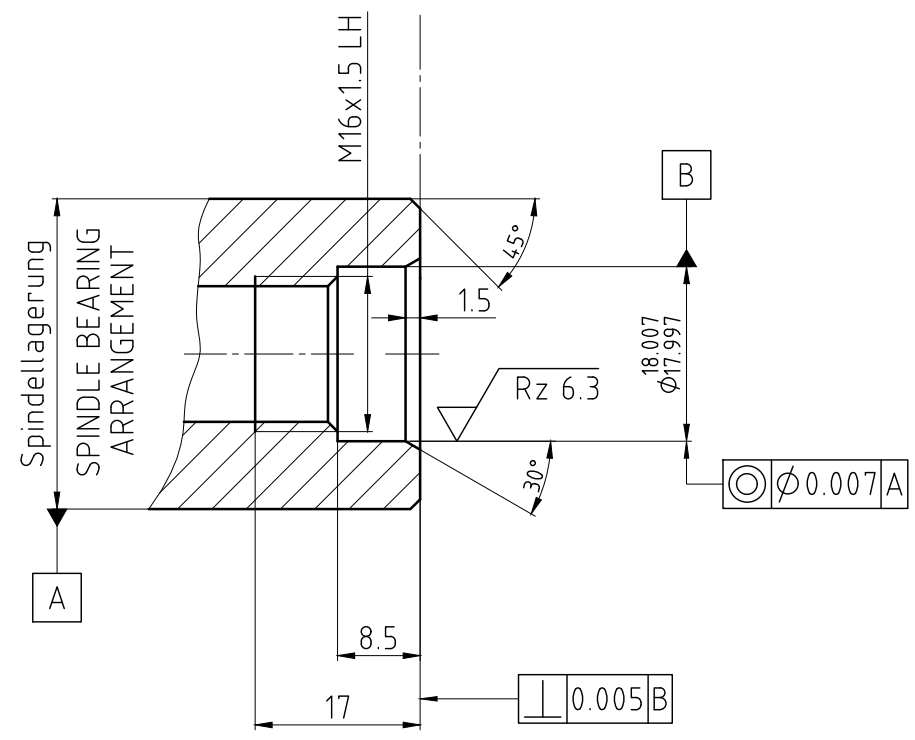
CONFIDENTIAL  
 THIS DOCUMENT CONTAINS CONFIDENTIAL AND PROPRIETARY INFORMATION OF DEUBLIN COMPANY. COPYING, USE, TRANSMISSION, DISTRIBUTION, AND DISCLOSURE ARE SUBJECT TO THE TERMS AND CONDITIONS CONTAINED IN YOUR AGREEMENT WITH DEUBLIN COMPANY. ALL RIGHTS RESERVED.

φ18	g4	+0.006	17.994
Maß	Passung	-0.011	17.989

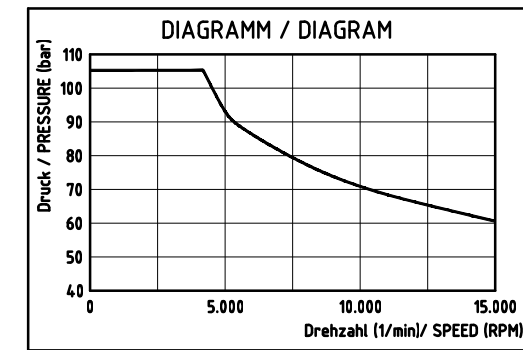


DRAIN HOLE / Leckbohrungen

Spindelende des Kunden  
 CUSTOMER'S SPINDLE END



Max. Druck und max. Drehzahl gleichzeitig sind zu vermeiden. Zuordnung siehe Diagramm.  
 OPERATION AT MAXIMUM PRESSURE COMBINED WITH MAXIMUM SPEED SHOULD BE AVOIDED. IF THE OPERATING CONDITIONS ARE CLOSE TO THESE LIMITS, LOOK ON THE DIAGRAM.



OPERATING DATA / Betriebsdaten

MEDIA/Medium	COOLANT	KSS
p max.	1500 PSI	105 bar
n max.	15000 RPM	15000 1/min
t max.	160 °F	70 °C
Q max.	4 GPM	15 l/min
FILTRATION/Filterung	60 µm	60 µm

DEUBLIN GmbH  
 D-65719 HOFHEIM-WALLAU, GERMANY

PROJECTION:

SCALE: 2:1 Z:\UNIONS\

MATERIAL:

DATE	NAME	TITLE:
DRN. 06.07.2006	H.-J. Huhn	DEUBLIN ROTATING UNION
ENGR. 06.07.2006	Ch. Wolf	DEUBLIN Drehdurchführung
APPD.		

NO. 1101-359-343-DD SHEET A2

UNLESS SPECIFICALLY TOLERANCED, ALL DIMENSIONS ARE CONSIDERED REFERENCE

ISSUE MODIFICATION ECO DATE SIGN