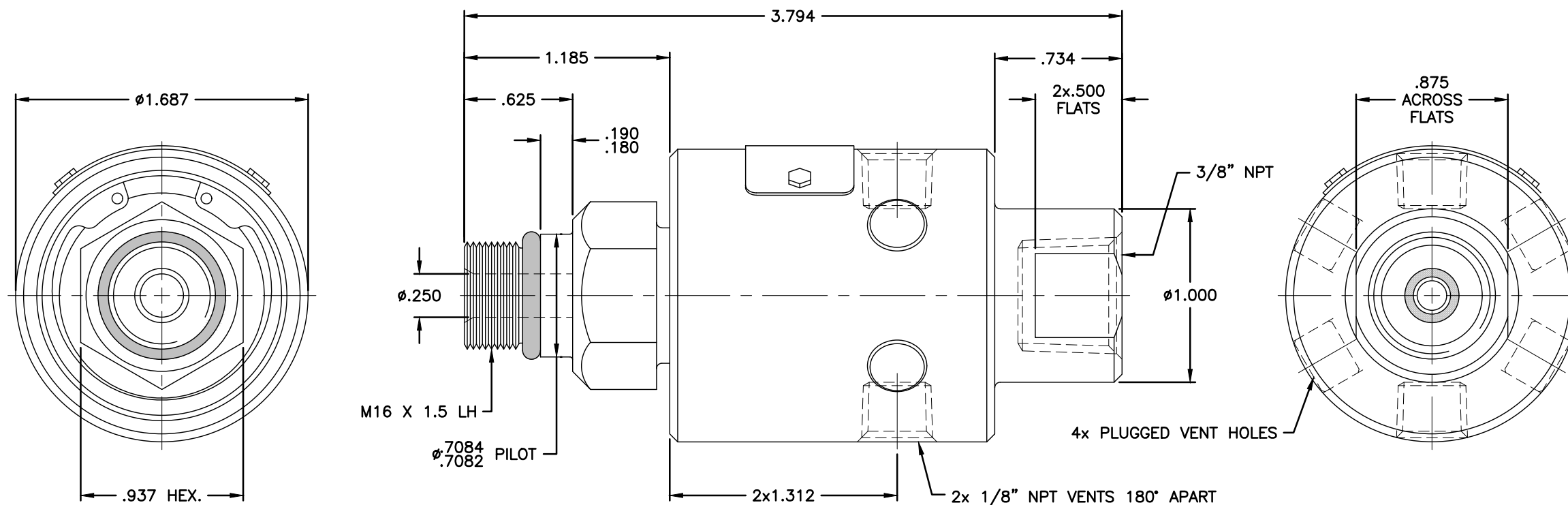


NOTES:

1 - WHEN ORDERING FROM DEUBLIN USE PART NUMBER: 1101-596-343.

DWG. NO.
1101-596-343-IC



OPERATING DATA:

COOLANT SERVICE

1500 PSI [105 bar] MAX.PRESSURE*

15,000 RPM [15,000/min] MAX.SPEED*

250°F [121°C] MAX.TEMPERATURE

4.1 GPM [15 L/min] FLOW RATE

* REFER TO GRAPH FOR MAXIMUM PRESSURE AND SPEED COMBINATIONS.

PRESSURE IN P.S.I.

CONFIDENTIAL

THIS DOCUMENT CONTAINS CONFIDENTIAL AND PROPRIETARY INFORMATION OF DEUBLIN COMPANY. COPYING, USE, TRANSMISSION, DISTRIBUTION, AND DISCLOSURE ARE SUBJECT TO THE TERMS AND CONDITIONS CONTAINED IN YOUR AGREEMENT WITH DEUBLIN COMPANY. ALL RIGHTS RESERVED.

SCALE	2:1	DWG SIZE	C		
DRN	GA	DATE	02/21/04		
ENGR					
APPD					
PART NO.			1101-596-343		
CUSTOMER					
LET.	REVISION	ECO	DATE	SIGN	

UNLESS SPECIFICALLY TOLERANCED, ALL DIMENSIONS ARE REFERENCE

DIMENSIONS IN [] ARE IN MILLIMETERS.

DEUBLIN COMPANY
WAUKEGAN, ILLINOIS, U.S.A.

TITLE: INTERFACE CONTROL
DRAWING FOR DEUBLIN UNION 1101-596-343

DWG. NO. 1101-596-343-IC
C.A.D DRAWING