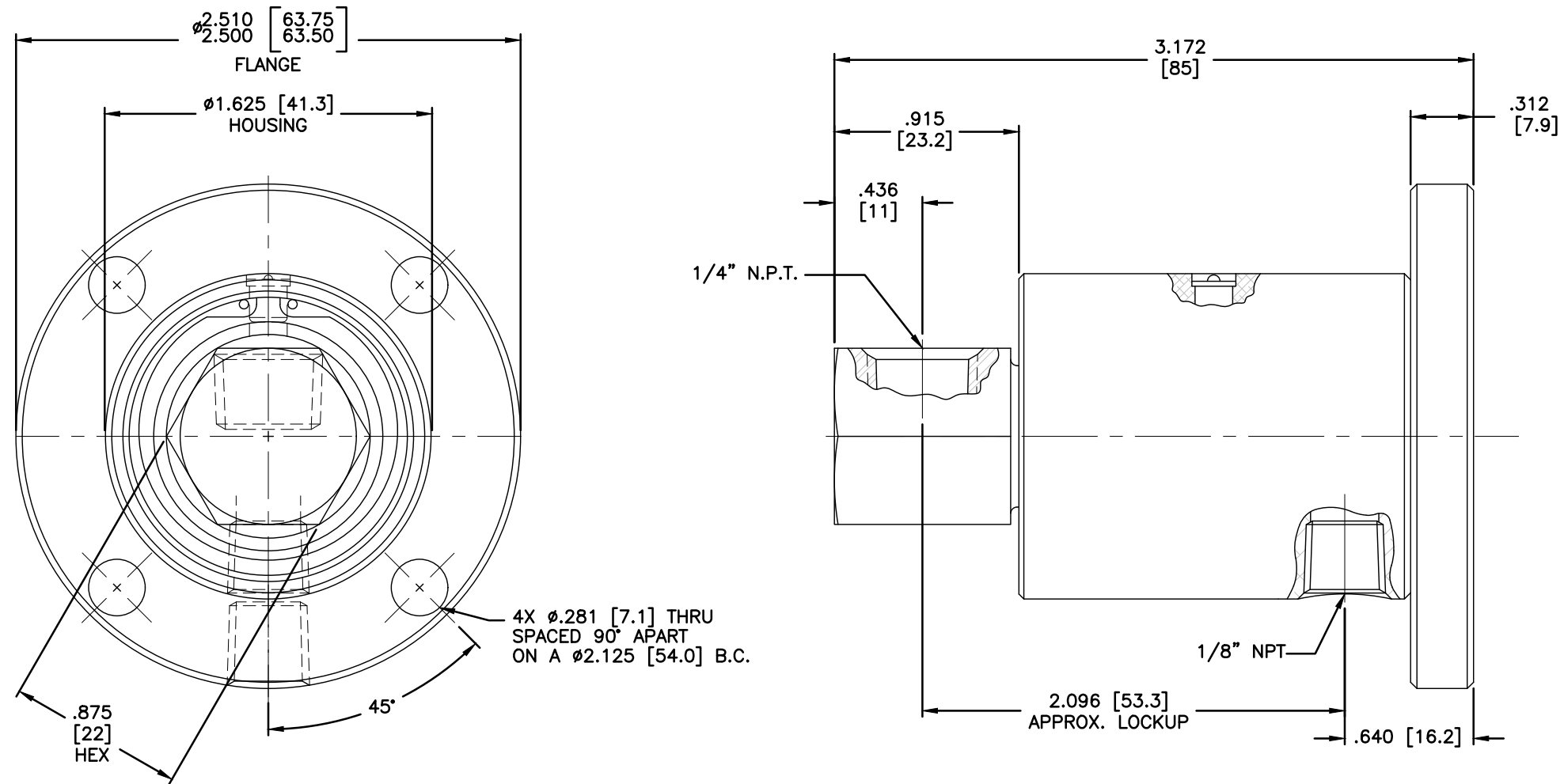


NOTES:

1 - WHEN ORDERING FROM DEUBLIN USE PART NUMBER: 1102-015-001-004.



OPERATING DATA:  
 AIR / VACUUM / HYDRAULIC SERVICE  
 150 PSI [10bar] MAX. AIR PRESSURE  
 28"Hg [6.7KPa] MAX. VACUUM  
 1000 PSI [70bar] MAX. HYDRAULIC PRESSURE  
 3500 RPM [3500/min] MAX. SPEED  
 250°F [121°C] MAX. TEMPERATURE

CONFIDENTIAL  
 THIS DOCUMENT CONTAINS CONFIDENTIAL AND PROPRIETARY INFORMATION OF DEUBLIN COMPANY. COPYING, USE, TRANSMISSION, DISTRIBUTION, AND DISCLOSURE ARE SUBJECT TO THE TERMS AND CONDITIONS CONTAINED IN YOUR AGREEMENT WITH DEUBLIN COMPANY. ALL RIGHTS RESERVED.

				EQUIPMENT REF:		SCALE	2:1	DWG	C	
						DRN	LG	09/25/03		
						ENGR	ARS			
						APPD				
				ASSY/TEST FIXTURES REQUIRED:		UNLESS SPECIFICALLY TOLERANCED, ALL DIMENSIONS ARE REFERENCE DIMENSIONS IN [ ] ARE IN MILLIMETERS.				
									TITLE: INTERFACE CONTROL	
									DRAWING FOR DEUBLIN UNION 1102-015-001-004	
									NO. 1102-015-001-004-IC	
LET.	REVISION	ECO	DATE	SIGN						

