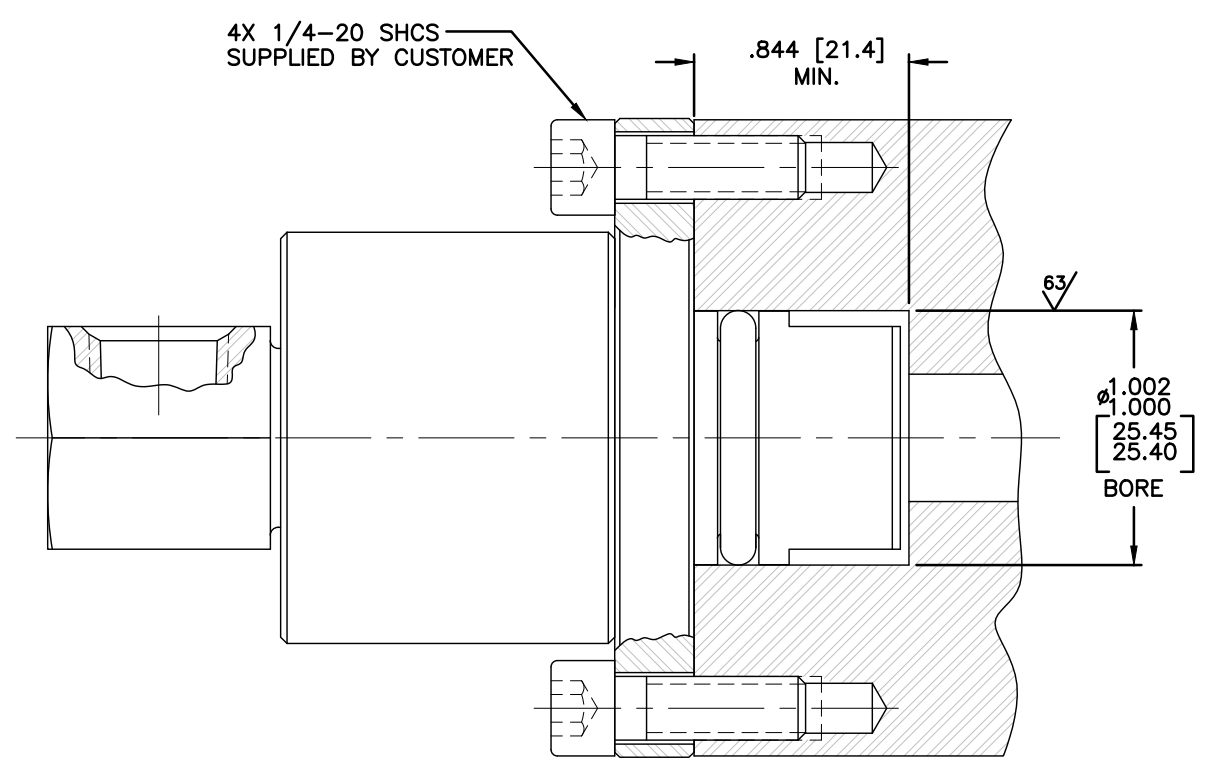
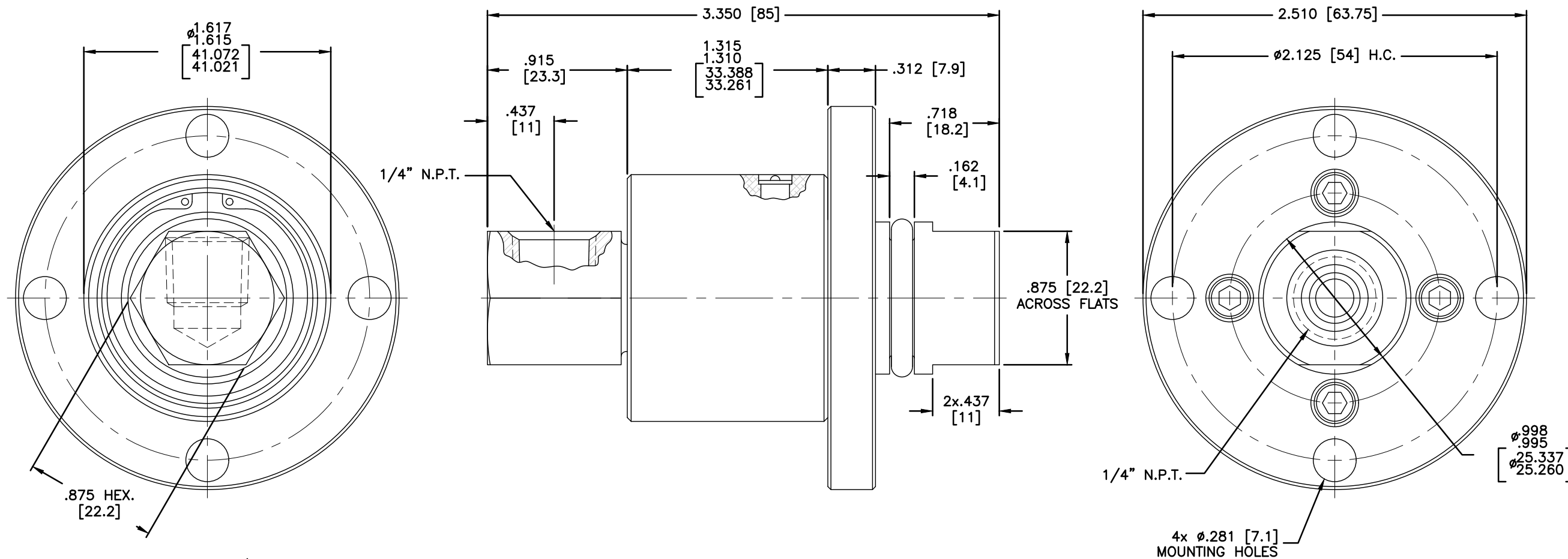


NOTES:

1 - WHEN ORDERING FROM DEUBLIN USE PART NUMBER: 1102-025-001-004.

DWG. NO.
1102-025-001-004-IC



CUSTOMER SHAFT DIMENSIONS

OPERATING DATA:
 AIR / VACUUM / HYDRAULIC SERVICE
 150 PSI [10bar] MAX. AIR PRESSURE
 28"Hg [6.7KPa] MAX. VACUUM
 1000 PSI [70bar] MAX. HYDRAULIC PRESSURE
 3500 RPM [3500/min] MAX. SPEED
 250°F [121°C] MAX. TEMPERATURE

CONFIDENTIAL
 THIS DOCUMENT CONTAINS CONFIDENTIAL AND PROPRIETARY INFORMATION OF DEUBLIN COMPANY. COPYING, USE, TRANSMISSION, DISTRIBUTION, AND DISCLOSURE ARE SUBJECT TO THE TERMS AND CONDITIONS CONTAINED IN YOUR AGREEMENT WITH DEUBLIN COMPANY. ALL RIGHTS RESERVED.

DEUBLIN COMPANY
 WAUKEGAN, ILLINOIS, U.S.A.

TITLE: INTERFACE CONTROL
 DRAWING FOR DEUBLIN
 UNION 1102-025-001-004

DWG. NO. 1102-025-001-004-IC
 C.A.D. DRAWING

| | | | |
|----------|------------------|----------|-----------|
| SCALE | 2:1 | DWG SIZE | C |
| DRN | RM | 11/04/05 | |
| ENGR | ARS | 11/04/05 | |
| APPD | ARS | 11/04/05 | |
| PART NO. | 1102-025-001-004 | | |
| CUSTOMER | | | |
| LET. | REVISION | ECO | DATE SIGN |

UNLESS SPECIFICALLY TOLERANCED, ALL DIMENSIONS ARE REFERENCE
 DIMENSIONS IN [] ARE IN MILLIMETERS.